

POWER: 460/60/3 V/Hz/Ph

TOTAL FLA: xxx A

SERVICE REQ: xxx A

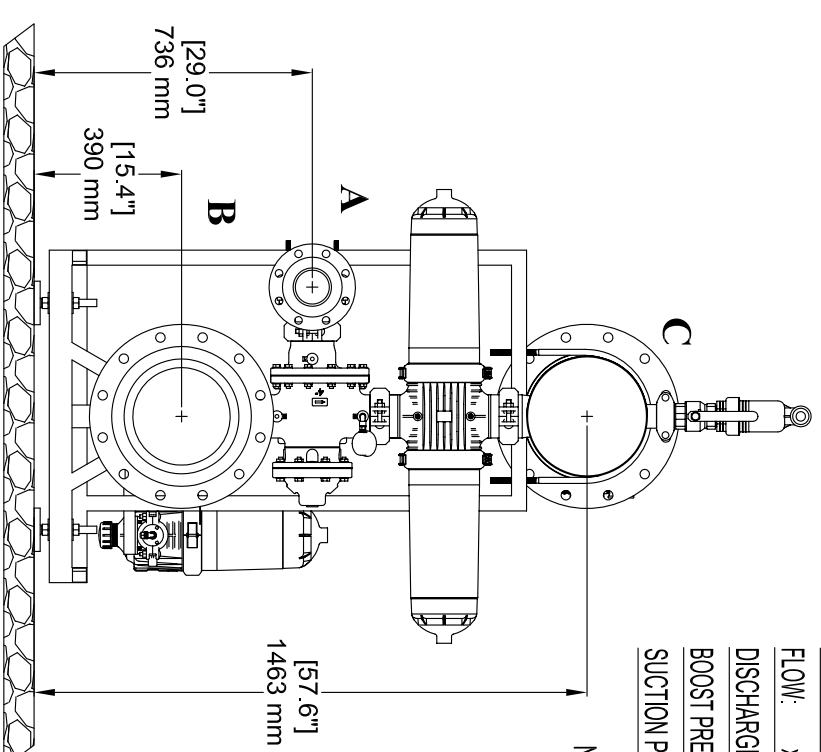
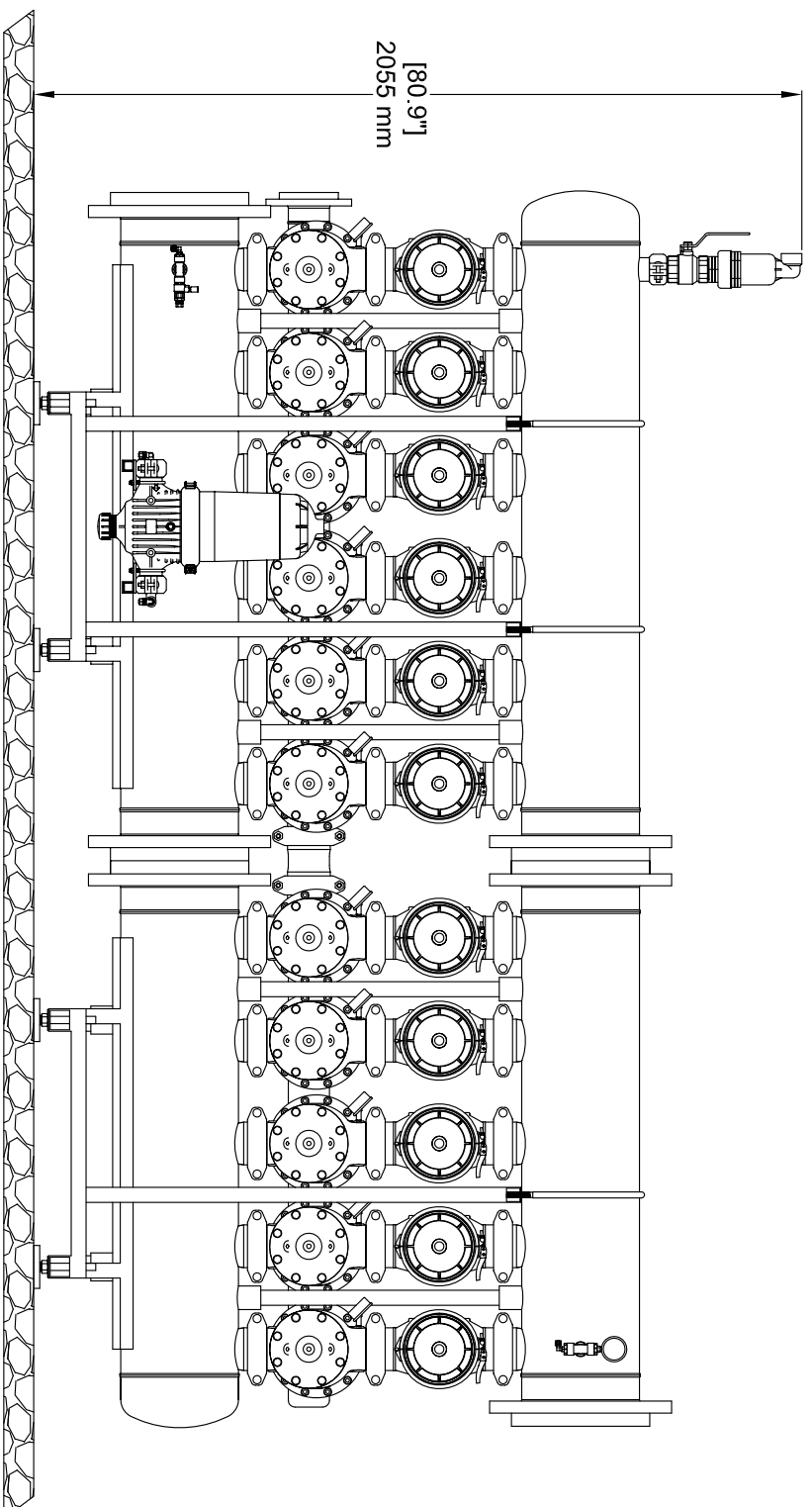
FLOW: xxx GPM

DISCHARGE PRESSURE: xxx PSI

BOOST PRESSURE: xxx FT.

SUCTION PRESSURE: xxx PSI

NOTE: DRAWING BASED ON  
QUOTE #GVT112608304F



A - 4" Drainage manifold  
ANSI Class 150

B - 12" Inlet manifold  
ANSI Class 150

C - 12" Outlet manifold  
ANSI Class 150

SIGN BLOCK FOR PRODUCTION RELEASE

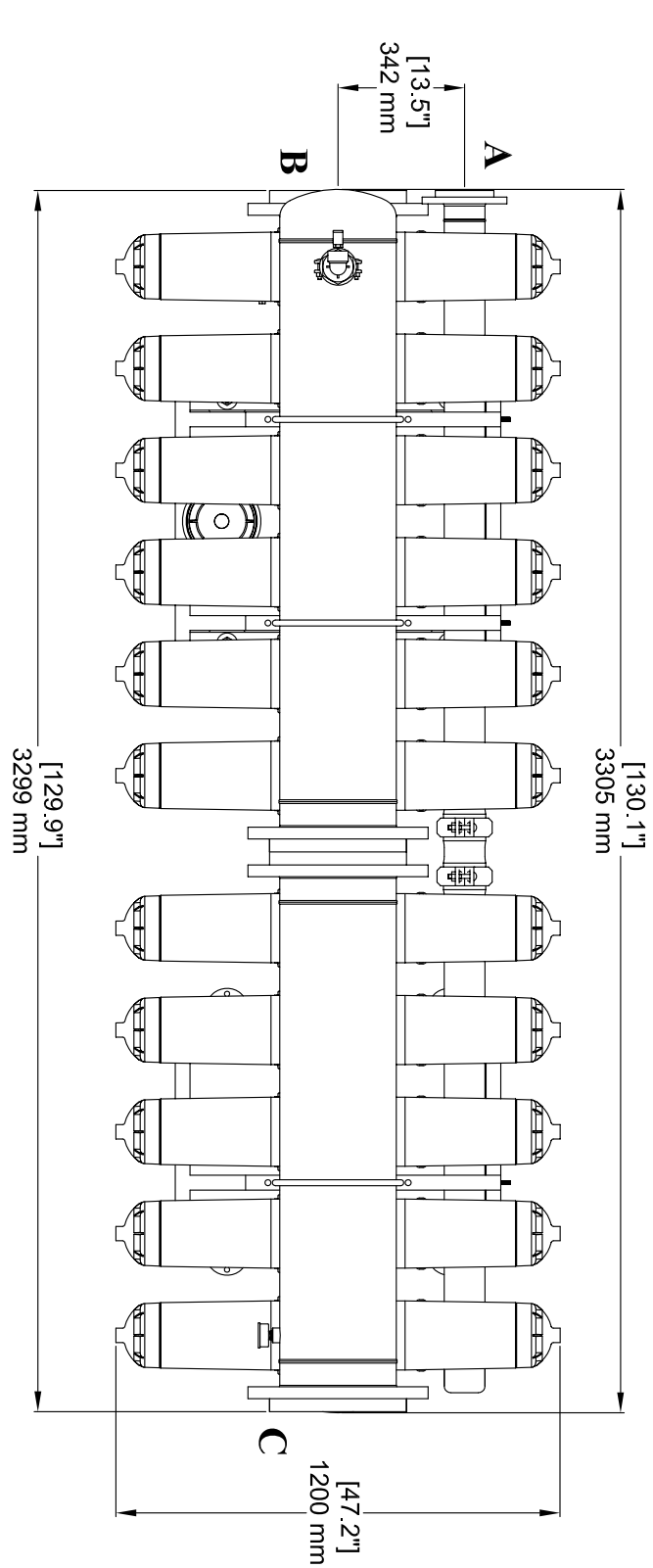
GENERAL ARRANGEMENT APPROVAL (INCLUDING ELECTRICAL REQUIREMENTS)

SIGNATURE \_\_\_\_\_

DATE \_\_\_\_\_

TITLE \_\_\_\_\_

SIGNATURE VERIFIES DRAWING DIMENSIONS MEET SITE REQUIREMENTS AND SCOPE OF THE ABOVE REFERENCED QUOTE. CHANGES AFTER APPROVAL COULD RESULT IN DELIVERY DELAYS AND ADDITIONAL COST.



<p><b>NOTICE:</b> THIS DRAWING IS THE PROPERTY OF RAINBIRD SYSTEMS INC. AND IS NOT TO BE REPRODUCED OR TRANSMITTED IN ANY FORM OR BY ANY MEANS, ELECTRONIC OR MECHANICAL, INCLUDING PHOTOCOPYING, RECORDING, OR BY ANY INFORMATION STORAGE AND RETRIEVAL SYSTEM. THE USER OF THIS DRAWING AGREES TO HOLD RAINBIRD SYSTEMS INC. HARMLESS FROM AND AGAINST ALL CLAIMS, DAMAGES, LOSSES AND EXPENSES, INCLUDING REASONABLE ATTORNEY'S FEES, ARISING OUT OF OR IN CONNECTION WITH THE USE OF THIS DRAWING. ALL RIGHTS RESERVED.</p>	
<p>DESIGNER: [REDACTED]</p> <p>CHECKED: [REDACTED]</p> <p>DATE: 9/10/13</p> <p>SCALE: AS SHOWN</p> <p>PROJECT: DISC FILTER ASSY HDF 11X4/12F</p> <p>PROJECT NO: GP12100989</p>	<p>PROJECT: DISC FILTER ASSY HDF 11X4/12F</p> <p>PROJECT NO: GP12100989</p> <p>DATE: 9/10/13</p> <p>SCALE: AS SHOWN</p> <p>PROJECT: DISC FILTER ASSY HDF 11X4/12F</p> <p>PROJECT NO: GP12100989</p>
<p>DESIGNER: [REDACTED]</p> <p>CHECKED: [REDACTED]</p> <p>DATE: 9/10/13</p> <p>SCALE: AS SHOWN</p> <p>PROJECT: DISC FILTER ASSY HDF 11X4/12F</p> <p>PROJECT NO: GP12100989</p>	<p>PROJECT: DISC FILTER ASSY HDF 11X4/12F</p> <p>PROJECT NO: GP12100989</p> <p>DATE: 9/10/13</p> <p>SCALE: AS SHOWN</p> <p>PROJECT: DISC FILTER ASSY HDF 11X4/12F</p> <p>PROJECT NO: GP12100989</p>

**RAINBIRD**  
SYSTEMS INC.  
TULSA, OKLAHOMA

DISC FILTER ASSY HDF 11X4/12F

35225XXXX-M1-A

SHEET 1 OF 1