

DO NOT SCALE DRAWING

SYMBOLS	
( )	REFERENCE
R	RADIUS
SR	SPHERICAL RADIUS
SØ	SPHERICAL DIAMETER
□	SQUARE

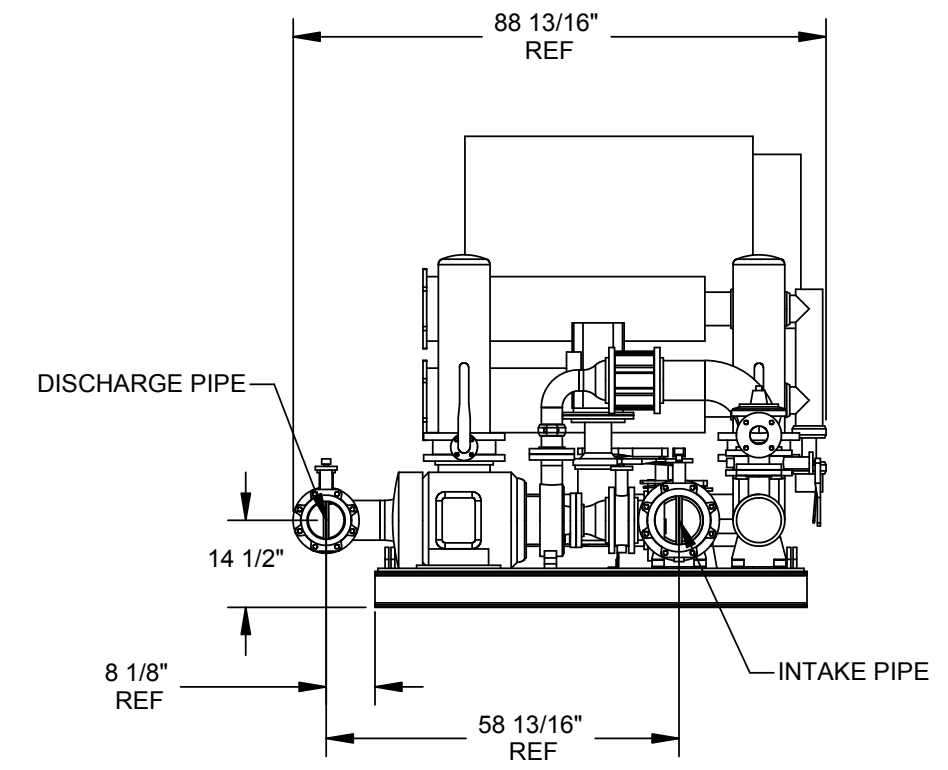
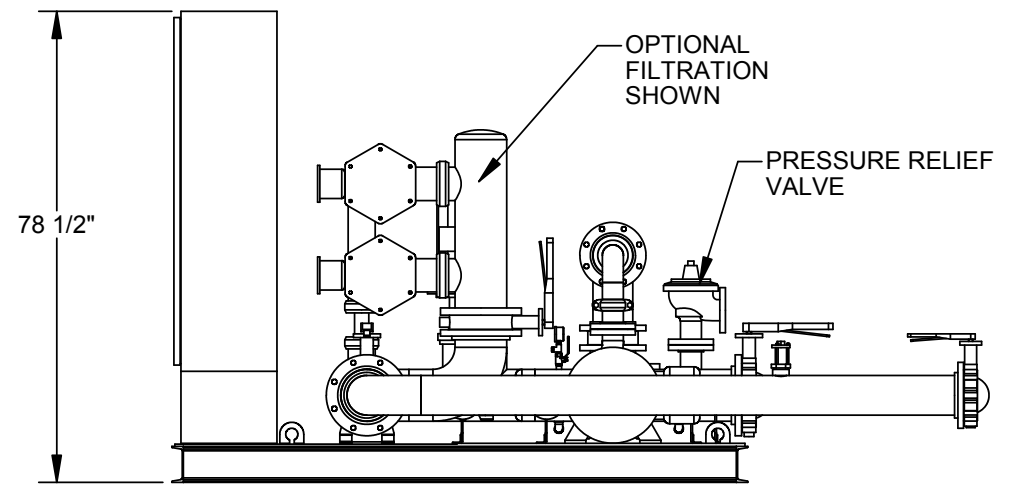
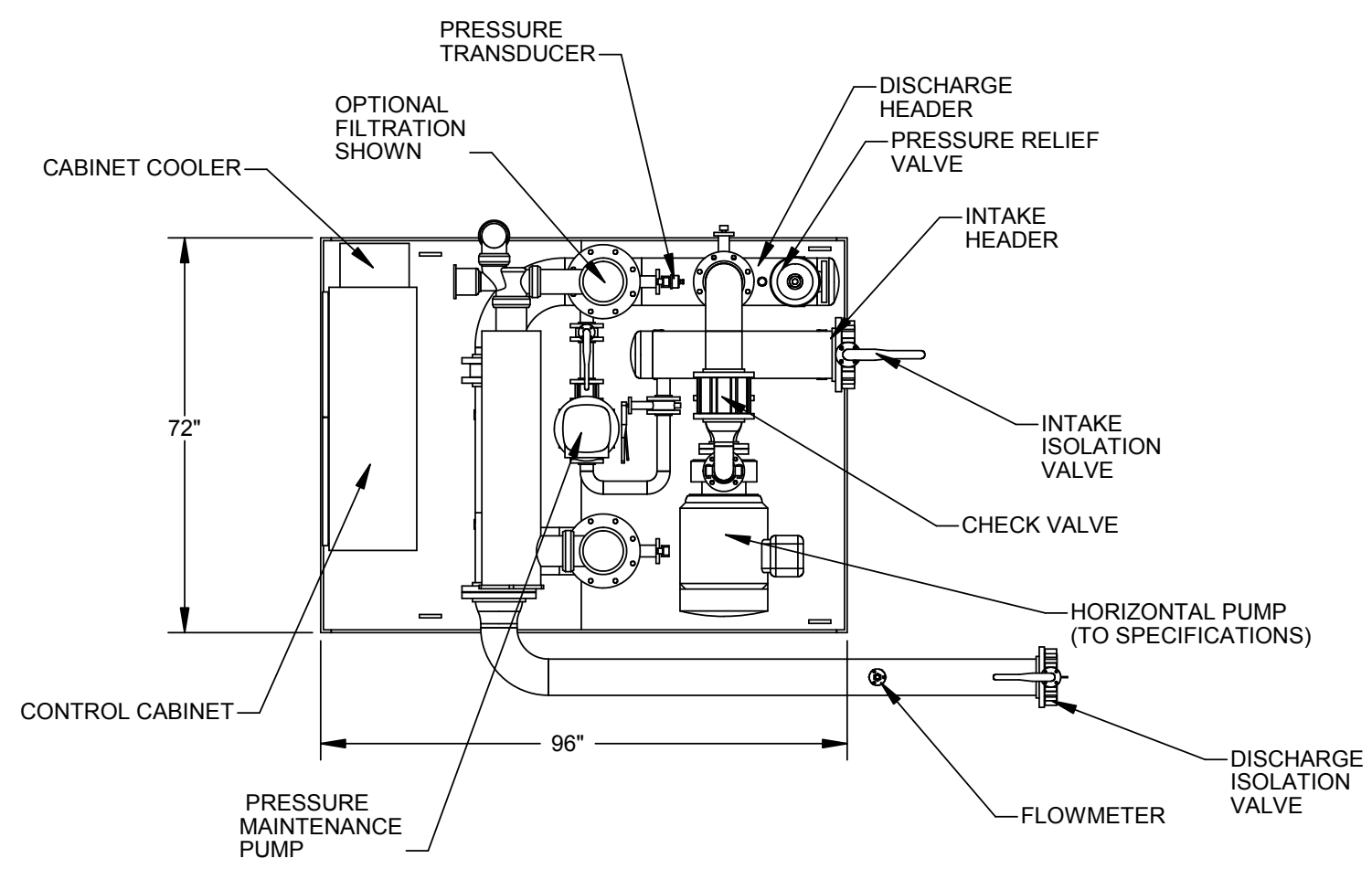
**NOTICE:**  
THIS DRAWING EMBODIES A CONFIDENTIAL PROPRIETARY DESIGN ORIGINATED BY RAIN BIRD CORPORATION. ALL DESIGN, MANUFACTURING, USE AND SALE RIGHTS REGARDING THE SAME ARE EXPRESSLY RESERVED. IT IS SUBMITTED UNDER A CONFIDENTIAL RELATIONSHIP FOR A SPECIFIC PURPOSE AND THE RECIPIENT AGREES BY ACCEPTING THIS DRAWING NOT TO SUPPLY OR DISCLOSE ANY INFORMATION REGARDING IT TO ANY UNAUTHORIZED PERSON, OR TO INCORPORATE IN OTHER PROJECTS ANY SPECIAL FEATURE UNIQUE TO THIS DESIGN. ALL PATENT RIGHTS HERETO ARE EXPRESSLY RESERVED.

LAST MODIFIED IN VERSION: SolidWorks 2004	
FILENAME:	
NEXT ASSY.	USED ON

UNLESS OTHERWISE SPECIFIED:  
DWG SYMBOLS PER ANSI

DRAWN	EGH	DATE	SUPERCEDES
DESIGNED	EGH	09/28/04	SCALE 1:32
CHECKED	XX	DATE XXXX/XX/XX	MATERIAL
APPR.	XX	DATE XXXX/XX/XX	MOLD NO(S)
APPR.	XX	DATE XXXX/XX/XX	WT
RELEASED	XX	DATE XXXX/XX/XX	CALC. XXX
			ACT. XXX

PARTS LIST				PROJECT NO.	FIRST USED ON
<b>RAIN BIRD CORP. SYSTEMS MFG. DIV.</b> TUCSON, ARIZONA					
DRAWN FOR				DRAWING NUMBER	
<b>1 PUMP HORIZONTAL PUMP STATION</b>				SIZE	PART NO.
				REV.	
				SHEET 1 OF 2	



DO NOT SCALE DRAWING

SYMBOLS	
( )	REFERENCE
R	RADIUS
SR	SPHERICAL RADIUS
SØ	SPHERICAL DIAMETER
□	SQUARE

**NOTICE:**  
THIS DRAWING EMBODIES A CONFIDENTIAL PROPRIETARY DESIGN ORIGINATED BY RAIN BIRD CORPORATION. ALL DESIGN, MANUFACTURING, USE AND SALE RIGHTS REGARDING THE SAME ARE EXPRESSLY RESERVED. IT IS SUBMITTED UNDER A CONFIDENTIAL RELATIONSHIP FOR A SPECIFIC PURPOSE AND THE RECIPIENT AGREES BY ACCEPTING THIS DRAWING NOT TO SUPPLY OR DISCLOSE ANY INFORMATION REGARDING IT TO ANY UNAUTHORIZED PERSON, OR TO INCORPORATE IN OTHER PROJECTS ANY SPECIAL FEATURE UNIQUE TO THIS DESIGN. ALL PATENT RIGHTS HERETO ARE EXPRESSLY RESERVED.

LAST MODIFIED IN VERSION: SolidWorks 2004	
FILENAME:	
NEXT ASSY.	USED ON

UNLESS OTHERWISE SPECIFIED:	DWG SYMBOLS PER ANSI
-----------------------------	----------------------

DRAWN	EGH	DATE	09/28/04	SUPERCEDES	
DESIGNED	EGH	DATE	09/28/04	SCALE	1:32
CHECKED	XX	DATE	XXXXXX	MATERIAL	
APPR.	XX	DATE	XXXXXX	MOLD NO(S)	(XX)
APPR.	XX	DATE	XXXXXX	WT	XXXXXX
RELEASED	XX	DATE	XXXXXX	CALC.	xxx
				ACT.	xxx

PARTS LIST			PROJECT NO.	FIRST USED ON
RAIN BIRD CORP. SYSTEMS MFG. DIV. TUCSON, ARIZONA				
DRAWN FOR			DRAWING NUMBER	
TITLE			SIZE	PART NO.
1 PUMP HORIZONTAL PUMP STATION				REV.
			SHEET 2 OF 2	