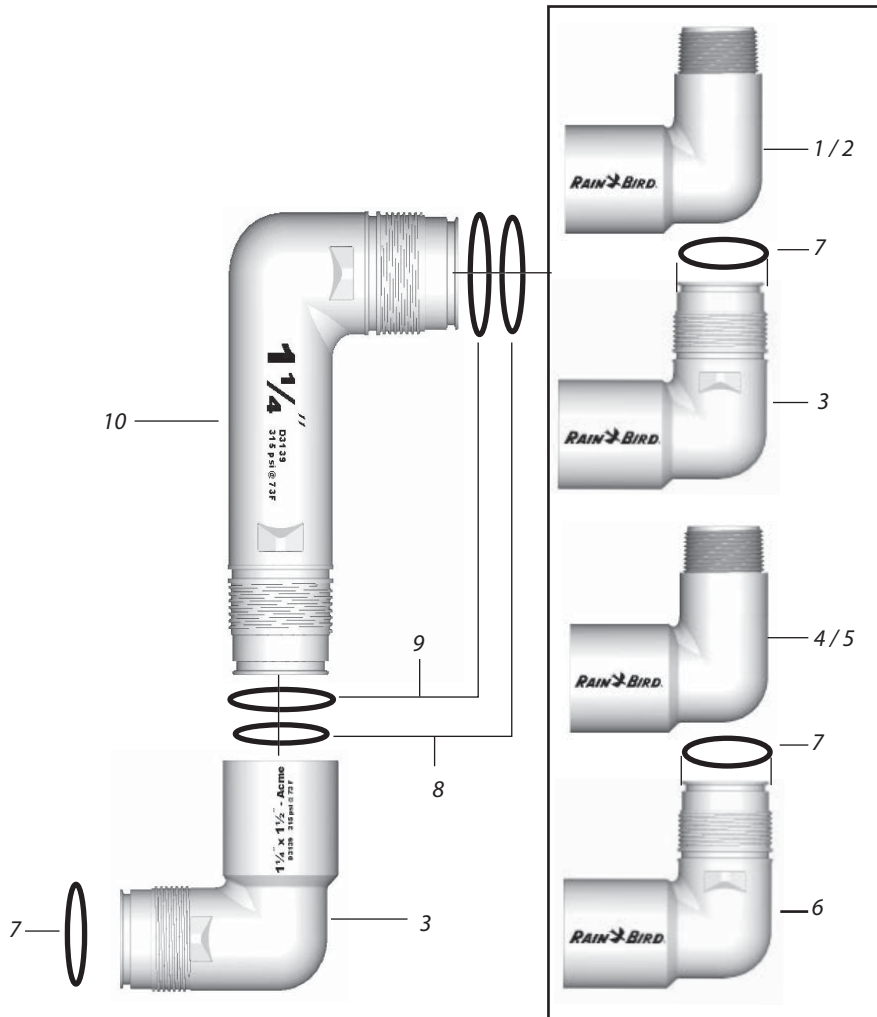


STANDARD SWING JOINT ASSEMBLY WITH ACME INLET



Ref.	Part Description	Qty.	1"	1 1/4"	1 1/2"
1	Outlet (NPT)	1	211870-01	211878-01	211866-01
2	Outlet (BSP)	1	211870-02	211878-02	211866-02
3	Outlet (ACME)*	1	212008	212014	212020
4	Enlarging Outlet (NPT)	1	211871-01	211879-01	N/A
5	Enlarging Outlet (BSP)	1	211871-02	211879-02	N/A
6	Enlarging Outlet (ACME)*	1	212009	212015	N/A
7	O-Ring, Outlet Seal (ACME)	1	211872-01	211872-04	211872-07
8	O-Ring, Internal (Front) Seal	2	211872-02	211872-05	211872-08
9	O-Ring, Internal (Back) Seal	2	211872-03	211872-06	211872-09
10	Layarm 8**	1	212004	212010	212016
-	12**	1	212005	212011	212017
-	18**	1	212006	212012	212018

* Includes o-ring(s)

Note: Part numbers enclosed in brackets () are not available individually, but may be sold in assemblies or kits.