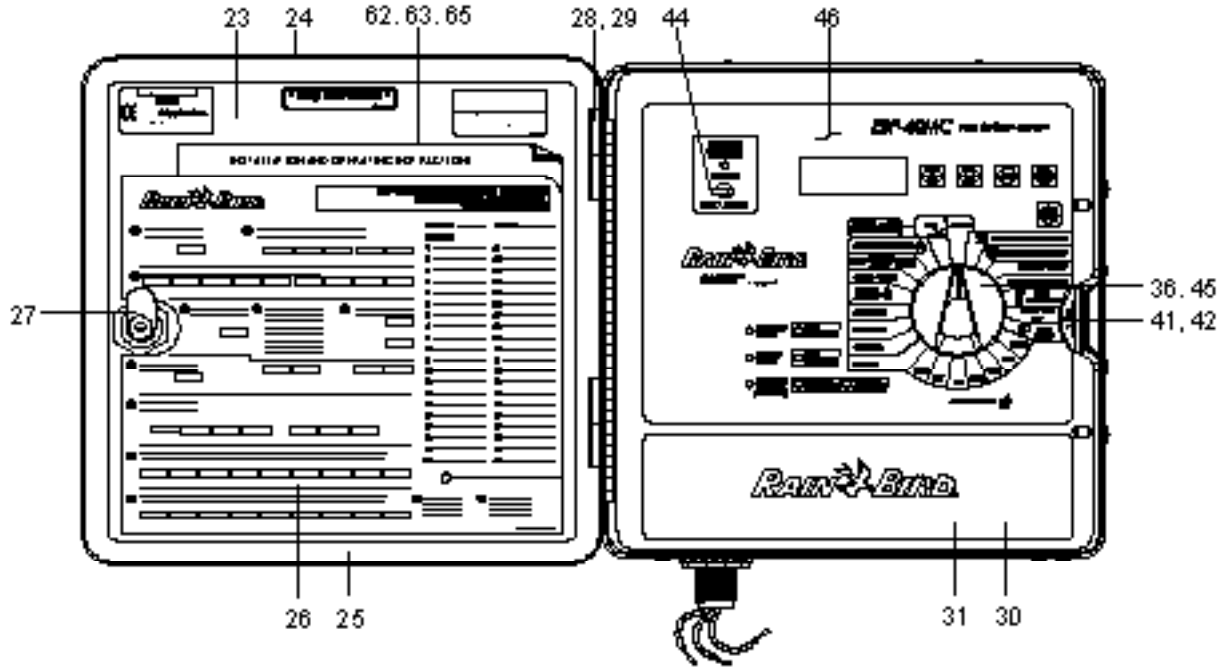
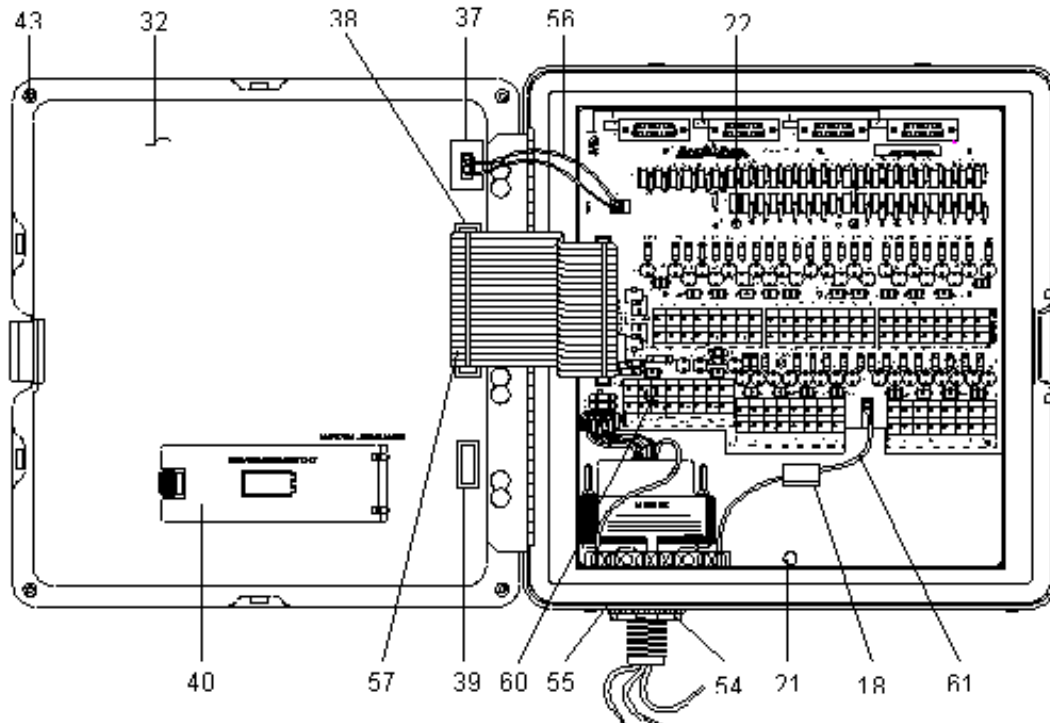


ESP-MC Front Panel in Closed Position



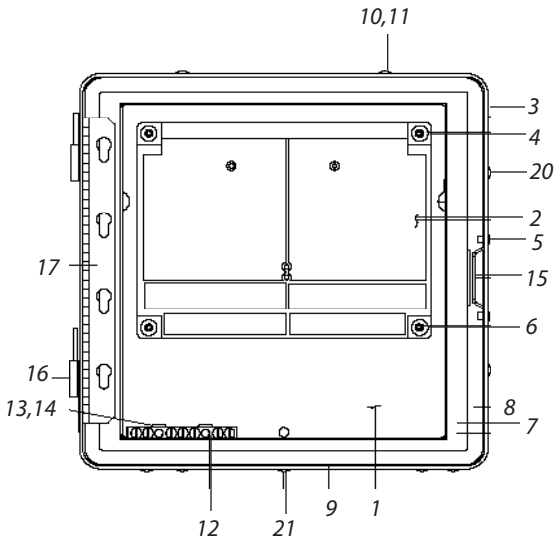
ESP-MC Front Panel in Open Position



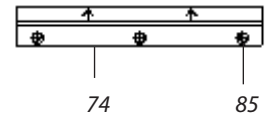
Note: Part numbers enclosed in brackets () are not available individually, but may be sold in assemblies or kits.

ESP-8MC / ESP-12MC / ESP-16MC / ESP-24MC
 ESP-28MC / ESP-32MC / ESP-36MC / ESP-40MC

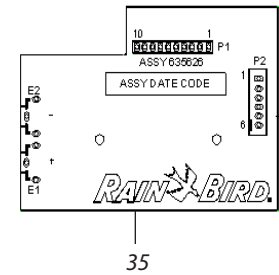
ESP-MC Cabinet Assembly



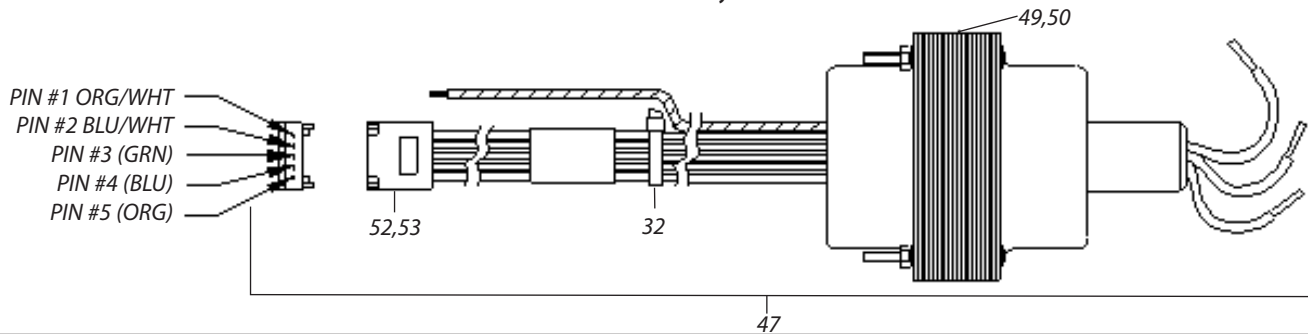
Bracket Wall-Mount Assembly



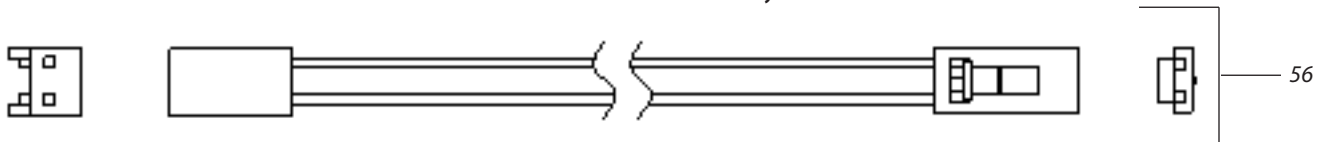
ESP-MC Battery Board Assembly



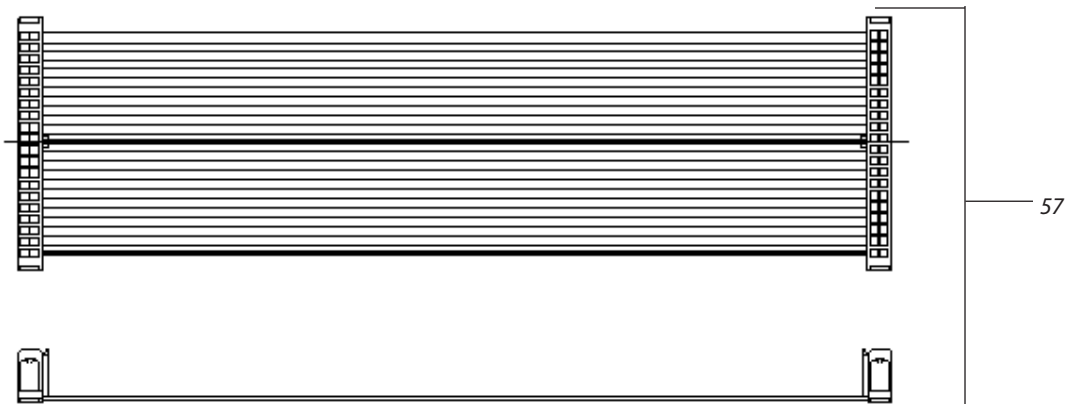
Transformer Assembly - ESP-MC



ESP-MC Sensor Cable Assembly

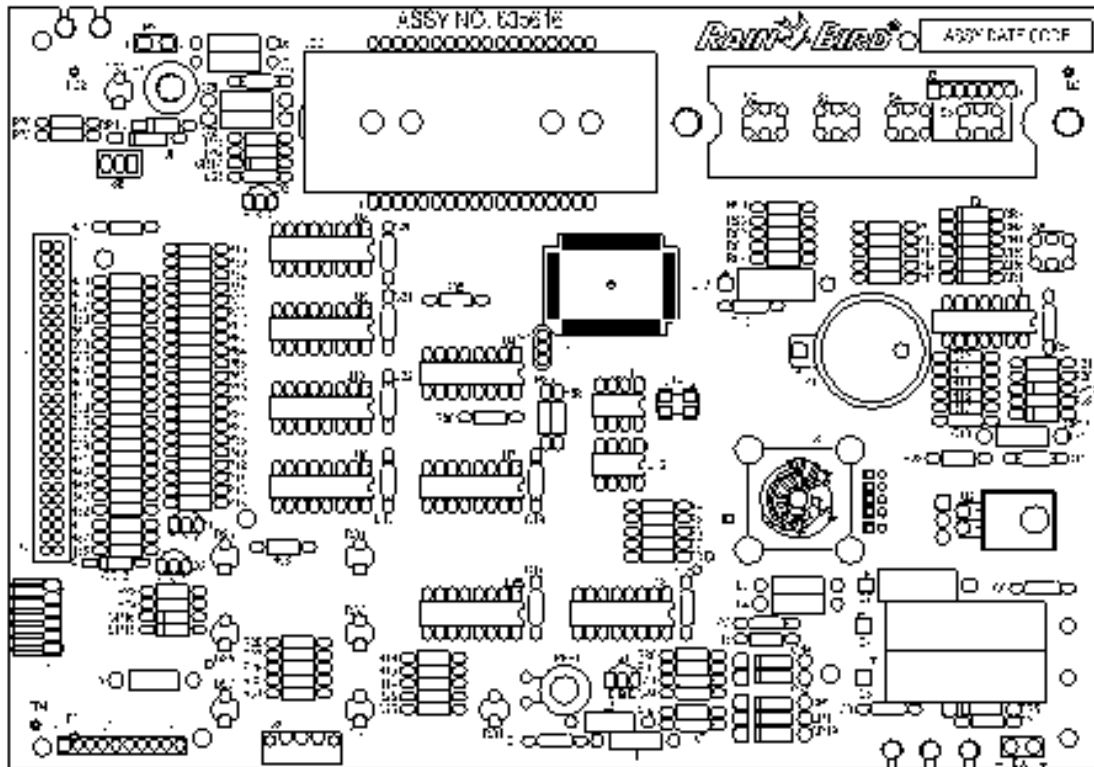


ESP-MC Cable Harness Assembly



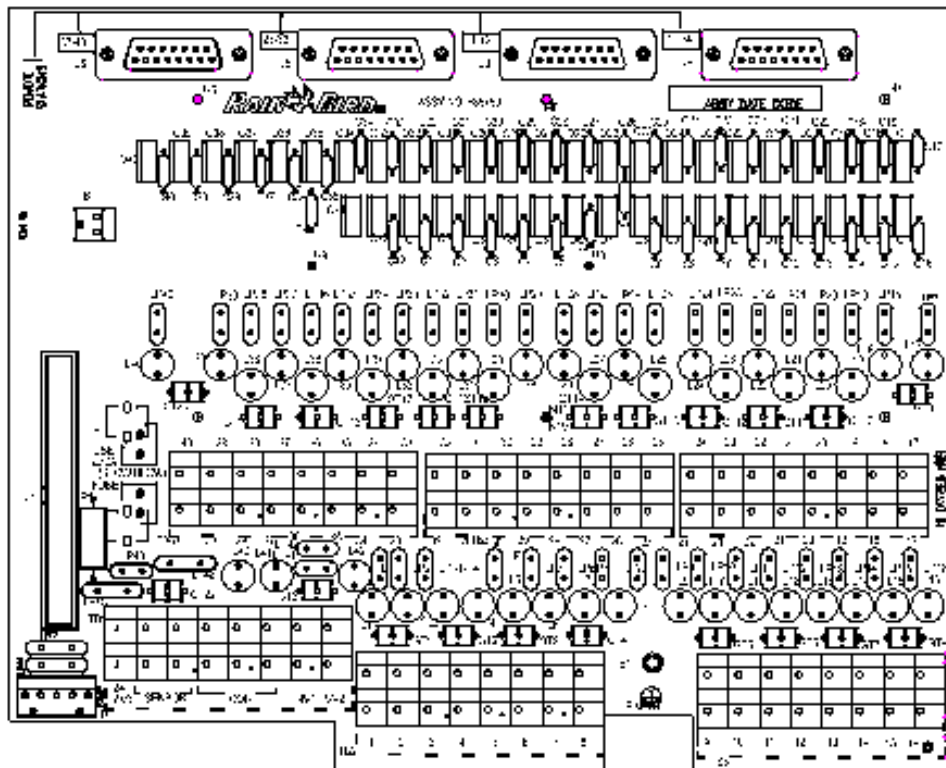
Note: Part numbers enclosed in brackets () are not available individually, but may be sold in assemblies or kits.

Control PWB Assembly



58

Terminal PWB Assembly



59

Note: Part numbers enclosed in brackets () are not available individually, but may be sold in assemblies or kits.

ESP-8MC / ESP-12MC / ESP-16MC / ESP-24MC
 ESP-28MC / ESP-32MC / ESP-36MC / ESP-40MC

| Ref | Description | Qty | ESP-8MC | ESP-12MC | ESP-16MC | ESP-24MC | ESP-28MC | ESP-32MC | ESP-36MC | ESP-40MC |
|-----|---------------------------------|-----|-------------|-------------|-------------|-------------|-------------|-------------|-------------|-------------|
| 1 | ESP-MC CABINET ASSEMBLY | 1 | (633583) | (633583) | (633583) | (633583) | (633583) | (633583) | (633583) | (633583) |
| 2 | Spacer, Terminal Board | 1 | (631919) | (631919) | (631919) | (631919) | (631919) | (631919) | (631919) | (631919) |
| 3 | Cabinet, Draw Formed | 1 | (634126-03) | (634126-03) | (634126-03) | (634126-03) | (634126-03) | (634126-03) | (634126-03) | (634126-03) |
| 4 | Washer, Flat #10 | 4 | (650023-13) | (650023-13) | (650023-13) | (650023-13) | (650023-13) | (650023-13) | (650023-13) | (650023-13) |
| 5 | Rivet Semitubular Oval Head | 6 | (650401) | (650401) | (650401) | (650401) | (650401) | (650401) | (650401) | (650401) |
| 6 | Rivet Blind | 4 | (650434-13) | (650434-13) | (650434-13) | (650434-13) | (650434-13) | (650434-13) | (650434-13) | (650434-13) |
| 7 | Seal, Panel-Frame | 1 | (635590) | (635590) | (635590) | (635590) | (635590) | (635590) | (635590) | (635590) |
| 8 | Frame | 1 | (635591) | (635591) | (635591) | (635591) | (635591) | (635591) | (635591) | (635591) |
| 9 | Seal, Frame-Cabinet | 1 | (635592) | (635592) | (635592) | (635592) | (635592) | (635592) | (635592) | (635592) |
| 10 | Fastener, Push-in | 8 | (651594) | (651594) | (651594) | (651594) | (651594) | (651594) | (651594) | (651594) |
| 11 | Washer, Fastener Seal Push-in | 8 | (635634) | (635634) | (635634) | (635634) | (635634) | (635634) | (635634) | (635634) |
| 12 | Grounding Bar | 1 | (651440) | (651440) | (651440) | (651440) | (651440) | (651440) | (651440) | (651440) |
| 13 | Washer, #8 Lock External Tooth | 2 | (650163-03) | (650163-03) | (650163-03) | (650163-03) | (650163-03) | (650163-03) | (650163-03) | (650163-03) |
| 14 | Screw, #8-32x.625 Pan Head | 2 | (650106-46) | (650106-46) | (650106-46) | (650106-46) | (650106-46) | (650106-46) | (650106-46) | (650106-46) |
| 15 | Strike, Lock | 1 | (635744) | (635744) | (635744) | (635744) | (635744) | (635744) | (635744) | (635744) |
| 16 | Hinge, Male | 2 | (629227-01) | (629227-01) | (629227-01) | (629227-01) | (629227-01) | (629227-01) | (629227-01) | (629227-01) |
| 17 | Hinge, Panel | 1 | (635593) | (635593) | (635593) | (635593) | (635593) | (635593) | (635593) | (635593) |
| 18 | Wire Clip | 1 | (651446-02) | (651446-02) | (651446-02) | (651446-02) | (651446-02) | (651446-02) | (651446-02) | (651446-02) |
| 19 | Corrosion Inhibitor Foam | 1 | (651331) | (651331) | (651331) | (651331) | (651331) | (651331) | (651331) | (651331) |
| 20 | Plug Hole, .187 Nylon White | 2 | (650485-02) | (650485-02) | (650485-02) | (650485-02) | (650485-02) | (650485-02) | (650485-02) | (650485-02) |
| 21 | Plug Hole, .250 Nylon White | 4 | (650485-04) | (650485-04) | (650485-04) | (650485-04) | (650485-04) | (650485-04) | (650485-04) | (650485-04) |
| 22 | Screw, Hi-Lo #7-19x1/2 Pan Head | 3 | (650183-63) | (650183-63) | (650183-63) | (650183-63) | (650183-63) | (650183-63) | (650183-63) | (650183-63) |
| 23 | ESP-MC DOOR ASSEMBLY | 1 | (635740-09) | (635740-09) | (635740-09) | (635740-09) | (635740-09) | (635740-09) | (635740-09) | (635740-09) |
| 24 | Door Painted Gray | 1 | (629113-03) | (629113-03) | (629113-03) | (629113-03) | (629113-03) | (629113-03) | (629113-03) | (629113-03) |
| 25 | Gasket "D" Shape | 1 | (651573) | (651573) | (651573) | (651573) | (651573) | (651573) | (651573) | (651573) |
| 26 | Pocket, Door | 1 | (633174) | (633174) | (633174) | (633174) | (633174) | (633174) | (633174) | (633174) |
| 27 | Lock, Cam | 1 | 650755 | 650755 | 650755 | 650755 | 650755 | 650755 | 650755 | 650755 |
| 28 | Hinge, Female | 2 | (635745) | (635745) | (635745) | (635745) | (635745) | (635745) | (635745) | (635745) |
| 29 | Rivet, Semitubular Oval Head | 4 | (650401) | (650401) | (650401) | (650401) | (650401) | (650401) | (650401) | (650401) |
| 30 | ESP-MC FRONT PANEL ASSY | 1 | K01618 | K01718 | K01818 | K01918 | K02018 | K02118 | K02418 | K02218 |
| 31 | Front Panel | 1 | (635584) | (635584) | (635584) | (635584) | (635584) | (635584) | (635584) | (635584) |
| 32 | Back Cover | 1 | (635588) | (635588) | (635588) | (635588) | (635588) | (635588) | (635588) | (635588) |
| 33 | Seal Panel | 1 | (635587) | (635587) | (635587) | (635587) | (635587) | (635587) | (635587) | (635587) |
| 34 | Control Board Assembly | 1 | (635616-01) | (635616-02) | (635616-03) | (635616-04) | (635616-07) | (635616-05) | (635616-08) | (635616-06) |
| 35 | Battery Board Assembly | 1 | (635626-01) | (635626-01) | (635626-01) | (635626-01) | (635626-01) | (635626-01) | (635626-01) | (635626-01) |
| 36 | Knob, Function Selector | 1 | (630946) | (630946) | (630946) | (630946) | (630946) | (630946) | (630946) | (630946) |
| 37 | Gasket, Sensor Connector | 1 | (635733) | (635733) | (635733) | (635733) | (635733) | (635733) | (635733) | (635733) |
| 38 | Gasket, Flat Cable Connector | 1 | (635734) | (635734) | (635734) | (635734) | (635734) | (635734) | (635734) | (635734) |
| 39 | Gasket, Maxicom Connector | 1 | (635735) | (635735) | (635735) | (635735) | (635735) | (635735) | (635735) | (635735) |
| 40 | Door, Battery | 1 | (635589) | (635589) | (635589) | (635589) | (635589) | (635589) | (635589) | (635589) |
| 41 | Latch | 1 | (635620) | (635620) | (635620) | (635620) | (635620) | (635620) | (635620) | (635620) |
| 42 | Spring Latch | 1 | (651609) | (651609) | (651609) | (651609) | (651609) | (651609) | (651609) | (651609) |
| 43 | Screw, #4-24x5/16 Washer Head | 4 | (650563-23) | (650563-23) | (650563-23) | (650563-23) | (650563-23) | (650563-23) | (650563-23) | (650563-23) |
| 44 | Boot, Sensor Switch | 1 | (635632) | (635632) | (635632) | (635632) | (635632) | (635632) | (635632) | (635632) |
| 45 | Boot, Rotary Switch | 1 | (635633) | (635633) | (635633) | (635633) | (635633) | (635633) | (635633) | (635633) |
| 46 | Overlay, Membrane Switch | 1 | (635594-01) | (635594-02) | (635594-03) | (635594-04) | (635594-07) | (635594-05) | (635594-08) | (635594-06) |

Note: Part numbers enclosed in brackets () are not available individually, but may be sold in assemblies or kits.

| Ref | Description | Qty | ESP-8MC | ESP-12MC | ESP-16MC | ESP-24MC | ESP-28MC | ESP-32MC | ESP-36MC | ESP-40MC |
|------------------------------|--------------------------------|-----|-------------|-------------|-------------|-------------|-------------|-------------|-------------|-------------|
| 47 | Transformer Assembly 60 Hz | 1 | 633148-01 | 633148-01 | 633148-01 | 633148-01 | 633148-01 | 633148-01 | 633148-01 | 633148-01 |
| 48 | Transformer Assembly 50 Hz | 1 | 633148-02 | 633148-02 | 633148-02 | 633148-02 | 633148-02 | 633148-02 | 633148-02 | 633148-02 |
| 49 | Transformer 120 Volts | 1 | (633146) | (633146) | (633146) | (633146) | (633146) | (633146) | (633146) | (633146) |
| 50 | Transformer 230 Volts | 1 | (633147) | (633147) | (633147) | (633147) | (633147) | (633147) | (633147) | (633147) |
| 51 | Cable Tie, Nylon 7/8 Bundle | 1 | (650131) | (650131) | (650131) | (650131) | (650131) | (650131) | (650131) | (650131) |
| 52 | Housing Crimp Terminal 5 Circ. | 1 | (650873-02) | (650873-02) | (650873-02) | (650873-02) | (650873-02) | (650873-02) | (650873-02) | (650873-02) |
| 53 | Terminal Crimp Molex | 5 | (650323) | (650323) | (650323) | (650323) | (650323) | (650323) | (650323) | (650323) |
| 54 | Locknut Conduit | 1 | (628013) | (628013) | (628013) | (628013) | (628013) | (628013) | (628013) | (628013) |
| 55 | Washer Lock External Tooth | 1 | (651389) | (651389) | (651389) | (651389) | (651389) | (651389) | (651389) | (651389) |
| CABLE ASSEMBLIES ESP-MC | | | | | | | | | | |
| 56 | Cable Sensor Assembly | 1 | (635624-01) | (635624-01) | (635624-01) | (635624-01) | (635624-01) | (635624-01) | (635624-01) | (635624-01) |
| 57 | Cable Assembly Ribbon | 1 | (635622) | (635622) | (635622) | (635622) | (635622) | (635622) | (635622) | (635622) |
| 58 | Control PWB Assy ESP-MC | 1 | (635616-01) | (635616-02) | (635616-03) | (635616-04) | (635616-07) | (635616-05) | (635616-08) | (635616-06) |
| C3,8,9,10,14 | | | | | | | | | | |
| 16,17,20,24 | Capacitor, .1uF, 50V | 9 | (650085-55) | (650085-55) | (650085-55) | (650085-55) | (650085-55) | (650085-55) | (650085-55) | (650085-55) |
| C21 | Capacitor, 1uF, 50V | 1 | - | (650085-55) | (650085-55) | (650085-55) | (650085-55) | (650085-55) | (650085-55) | (650085-55) |
| C22 | Capacitor, 1uF, 50V | 1 | - | - | - | (650085-55) | (650085-55) | (650085-55) | (650085-55) | (650085-55) |
| C18 | Capacitor, 1uF, 50V | 1 | - | - | - | - | (650085-55) | (650085-55) | (650085-55) | (650085-55) |
| C19 | Capacitor, 1uF, 50V | 1 | - | - | - | - | - | - | (650085-55) | (650085-55) |
| C1,2,11,23,25 | Capacitor, .01uF, 100V | 5 | (650882-01) | (650882-01) | (650882-01) | (650882-01) | (650882-01) | (650882-01) | (650882-01) | (650882-01) |
| C4 | Capacitor Elect. 1000uF, 25V | 1 | (651054-12) | (651054-12) | (651054-12) | (651054-12) | (651054-12) | (651054-12) | (651054-12) | (651054-12) |
| C5 | Capacitor Elect. 330uF, 25V | 1 | (650624) | (650624) | (650624) | (650624) | (650624) | (650624) | (650624) | (650624) |
| C6 | Capacitor NPO | 1 | (650833-13) | (650833-13) | (650833-13) | (650833-13) | (650833-13) | (650833-13) | (650833-13) | (650833-13) |
| C7,15 | Capacitor Elect. 47uF, 10V | 2 | (650044-03) | (650044-03) | (650044-03) | (650044-03) | (650044-03) | (650044-03) | (650044-03) | (650044-03) |
| CR1,5,19 | Diode, 1N4002 | 6 | (650077-02) | (650077-02) | (650077-02) | (650077-02) | (650077-02) | (650077-02) | (650077-02) | (650077-02) |
| VR1 | Diode Zener, 1N5232B | 1 | (650038-71) | (650038-71) | (650038-71) | (650038-71) | (650038-71) | (650038-71) | (650038-71) | (650038-71) |
| CR6 | Diode Switch, 1N4148 | 1 | (650037-01) | (650037-01) | (650037-01) | (650037-01) | (650037-01) | (650037-01) | (650037-01) | (650037-01) |
| CR7 | Diode Switch, 1N4148 | 1 | - | (650037-01) | - | (650037-01) | - | - | (650037-01) | (650037-01) |
| CR8 | Diode Switch, 1N4148 | 1 | - | - | (650037-01) | (650037-01) | (650037-01) | - | (650037-01) | - |
| CR9 | Diode Switch, 1N4148 | 1 | - | - | - | - | (650037-01) | (650037-01) | (650037-01) | (650037-01) |
| CR11,18 | Diode Switch, 1N4148 | 8 | (650037-01) | (650037-01) | (650037-01) | (650037-01) | (650037-01) | (650037-01) | (650037-01) | (650037-01) |
| DS1-DS8 | Led, Red .200 Centers | 8 | (650910) | (650910) | (650910) | (650910) | (650910) | (650910) | (650910) | (650910) |
| L1-L7 | Inductor Ferrite | 7 | (650300-05) | (650300-05) | (650300-05) | (650300-05) | (650300-05) | (650300-05) | (650300-05) | (650300-05) |
| P2 | Sensor Cable | 1 | (635623-01) | (635623-01) | (635623-01) | (635623-01) | (635623-01) | (635623-01) | (635623-01) | (635623-01) |
| Q1,Q2 | Transistor PNP | 2 | (650369) | (650369) | (650369) | (650369) | (650369) | (650369) | (650369) | (650369) |
| Q3,Q4 | Transistor PNP 625 mW | 2 | (650367) | (650367) | (650367) | (650367) | (650367) | (650367) | (650367) | (650367) |
| R2 | Resistor 1/4 W, 3.3k Ohms | 1 | (650079-85) | (650079-85) | (650079-85) | (650079-85) | (650079-85) | (650079-85) | (650079-85) | (650079-85) |
| R19,91 | Resistor 1/4 W, 10k Ohms | 2 | (650079-97) | (650079-97) | (650079-97) | (650079-97) | (650079-97) | (650079-97) | (650079-97) | (650079-97) |
| R3,74, 75,96,97 | Resistor 1/4 W, 220k Ohms | 5 | (650080-30) | (650080-30) | (650080-30) | (650080-30) | (650080-30) | (650080-30) | (650080-30) | (650080-30) |
| R20,21,22,84, 87,88,89,90 | Resistor 1/4 W, 4.7k Ohms | 8 | (650079-89) | (650079-89) | (650079-89) | (650079-89) | (650079-89) | (650079-89) | (650079-89) | (650079-89) |
| R4-16,73, 81,82,93,94 | Resistor 1/4 W, 100k Ohms | 18 | (650080-22) | (650080-22) | (650080-22) | (650080-22) | (650080-22) | (650080-22) | (650080-22) | (650080-22) |
| R18,80,83,86 | Resistor 1/4 W, 47k Ohms | 4 | (650080-14) | (650080-14) | (650080-14) | (650080-14) | (650080-14) | (650080-14) | (650080-14) | (650080-14) |
| R95,R17 | Resistor 1/4 W, 1k Ohms | 2 | (650079-73) | (650079-73) | (650079-73) | (650079-73) | (650079-73) | (650079-73) | (650079-73) | (650079-73) |
| R23,R85 | Resistor 1/4 W, 10 Ohms | 2 | (650079-25) | (650079-25) | (650079-25) | (650079-25) | (650079-25) | (650079-25) | (650079-25) | (650079-25) |
| R25-R31 R24,32, | Resistor 1/4 W, 470 Ohms | 7 | (650079-65) | (650079-65) | (650079-65) | (650079-65) | (650079-65) | (650079-65) | (650079-65) | (650079-65) |
| 98,49,56 | Resistor 1/4 W, 150 Ohms | 11 | (650079-53) | (650079-53) | (650079-53) | (650079-53) | (650079-53) | (650079-53) | (650079-53) | (650079-53) |
| R57-60 | Resistor 1/4 W, 150 Ohms | 4 | - | (650079-53) | (650079-53) | (650079-53) | (650079-53) | (650079-53) | (650079-53) | (650079-53) |
| R61-64 | Resistor 1/4 W, 150 Ohms | 4 | - | - | (650079-53) | (650079-53) | (650079-53) | (650079-53) | (650079-53) | (650079-53) |
| R65-72 | Resistor 1/4 W, 150 Ohms | 8 | - | - | - | (650079-53) | (650079-53) | (650079-53) | (650079-53) | (650079-53) |
| R33-36 | Resistor 1/4 W, 150 Ohms | 4 | - | - | - | - | (650079-53) | (650079-53) | (650079-53) | (650079-53) |
| R37-40 | Resistor 1/4 W, 150 Ohms | 4 | - | - | - | - | - | (650079-53) | (650079-53) | (650079-53) |
| R41-44 | Resistor 1/4 W, 150 Ohms | 4 | - | - | - | - | - | - | (650079-53) | (650079-53) |

Note: Part numbers enclosed in brackets () are not available individually, but may be sold in assemblies or kits.



ESP-8MC / ESP-12MC / ESP-16MC / ESP-24MC
 ESP-28MC / ESP-32MC / ESP-36MC / ESP-40MC

| Ref | Description | Qty | ESP-8MC | ESP-12MC | ESP-16MC | ESP-24MC | ESP-28MC | ESP-32MC | ESP-36MC | ESP-40MC |
|---------------|-------------------------------------|-----|-------------|-------------|-------------|-------------|-------------|-------------|-------------|-------------|
| R45-48 | Resistor 1/4 W, 150 Ohms | 4 | - | - | - | - | - | - | - | (650079-53) |
| R78,79 | Resistor 1/4 W, 150 Ohms | 2 | (650202-73) | (650202-73) | (650202-73) | (650202-73) | (650202-73) | (650202-73) | (650202-73) | (650202-73) |
| S7 | Switch, Rotary | 1 | (630609) | (630609) | (630609) | (630609) | (630609) | (630609) | (630609) | (630609) |
| TS1 | Transorb Bi-Directional P6KE6.8 | 1 | (650595-01) | (650595-01) | (650595-01) | (650595-01) | (650595-01) | (650595-01) | (650595-01) | (650595-01) |
| U1 | Microcomp, Toshiba, OTP | 1 | (633088) | (633088) | (633088) | (633088) | (633088) | (633088) | (633088) | (633088) |
| U2 | Regulator, Low Dropout, L4947H | 1 | (650962) | (650962) | (650962) | (650962) | (650962) | (650962) | (650962) | (650962) |
| (U2) | Rivet, Blind Dome .125 Dia. | 1 | (650139-05) | (650139-05) | (650139-05) | (650139-05) | (650139-05) | (650139-05) | (650139-05) | (650139-05) |
| (U2) | Washer, flat #5 | 1 | (650023-03) | (650023-03) | (650023-03) | (650023-03) | (650023-03) | (650023-03) | (650023-03) | (650023-03) |
| U3 | I.C. Quad OP AMP, LM324 | 1 | (650358) | (650358) | (650358) | (650358) | (650358) | (650358) | (650358) | (650358) |
| U4 | 3-8 Line Decoder, 74HC259 | 1 | (650699) | (650699) | (650699) | (650699) | (650699) | (650699) | (650699) | (650699) |
| U5,U88 | Bit Addressable Latch, 74HC259 | 2 | (650889) | (650889) | (650889) | (650889) | (650889) | (650889) | (650889) | (650889) |
| U9 | 8 Bit Addressable Latch, 74HC259 | 1 | - | (650889) | (650889) | (650889) | (650889) | (650889) | (650889) | (650889) |
| U10 | 8 Bit Addressable Latch, 74HC259 | 1 | - | - | - | (650889) | (650889) | (650889) | (650889) | (650889) |
| U6 | 8 Bit Addressable Latch, 74HC259 | 1 | - | - | - | - | (650889) | (650889) | (650889) | (650889) |
| U7 | 8 Bit Addressable Latch, 74HC259 | 1 | - | - | - | - | - | - | (650889) | (650889) |
| U11 | I.C. Real Time Clock, DS1302 | 1 | (651011) | (651011) | (651011) | (651011) | (651011) | (651011) | (651011) | (651011) |
| U12 | I.C. EEPROM-4K Byte Serial | 1 | (651012) | (651012) | (651012) | (651012) | (651012) | (651012) | (651012) | (651012) |
| U13 | I.C. 8 Bit Input Mux | 1 | (651014) | (651014) | (651014) | (651014) | (651014) | (651014) | (651014) | (651014) |
| B1 | Battery, Lithium, 3V | 1 | (651009) | (651009) | (651009) | (651009) | (651009) | (651009) | (651009) | (651009) |
| (B1) | Holder, Battery | 1 | (651010) | (651010) | (651010) | (651010) | (651010) | (651010) | (651010) | (651010) |
| Y1 | Resonator, Ceramic, 8 Mhz | 1 | (651013) | (651013) | (651013) | (651013) | (651013) | (651013) | (651013) | (651013) |
| RPF1 | Polyswitch, RXE, 60V, .65A | 1 | (651055-08) | (651055-08) | (651055-08) | (651055-08) | (651055-08) | (651055-08) | (651055-08) | (651055-08) |
| R92 | Resistor 1/4W, 8.2k Ohms | 1 | (650079-95) | (650079-95) | (650079-95) | (650079-95) | (650079-95) | (650079-95) | (650079-95) | (650079-95) |
| S9 | Switch, Slide | 1 | (651292) | (651292) | (651292) | (651292) | (651292) | (651292) | (651292) | (651292) |
| C26 | Capacitor, NPO 220pF, 100V | 1 | (650883-17) | (650883-17) | (650883-17) | (650883-17) | (650883-17) | (650883-17) | (650883-17) | (650883-17) |
| R76 | Resistor 1/4W, 2k Ohms | 1 | (650079-80) | (650079-80) | (650079-80) | (650079-80) | (650079-80) | (650079-80) | (650079-80) | (650079-80) |
| LCD1 | Liquid Crystal Display | 1 | (635361) | (635361) | (635361) | (635361) | (635361) | (635361) | (635361) | (635361) |
| (LCD1) | Spacer, LCD | 1 | (635339) | (635339) | (635339) | (635339) | (635339) | (635339) | (635339) | (635339) |
| J3 | Header, Right Angle .100 Centers | 1 | (650530-07) | (650530-07) | (650530-07) | (650530-07) | (650530-07) | (650530-07) | (650530-07) | (650530-07) |
| J1 | Transition Socket, 10 Pins | 1 | (651607) | (651607) | (651607) | (651607) | (651607) | (651607) | (651607) | (651607) |
| S8 | Toggle Switch | 1 | (651606) | (651606) | (651606) | (651606) | (651606) | (651606) | (651606) | (651606) |
| P1 | Ribbon Cable Assembly | 1 | (635621) | (635621) | (635621) | (635621) | (635621) | (635621) | (635621) | (635621) |
| U14 | Crystal Osc. SMT Quartz, 32.768Khz1 | 1 | (651665) | (651665) | (651665) | (651665) | (651665) | (651665) | (651665) | (651665) |
| 59 | Terminal PWB Assy ESP-MC | 1 | (636015-01) | (636015-02) | (636015-03) | (636015-04) | (636015-13) | (636015-05) | (636015-14) | (636015-06) |
| LP43 | MOV 50V, 2500A | 1 | (651272) | (651272) | (651272) | (651272) | (651272) | (651272) | (651272) | (651272) |
| C1-8,41,42 | Capacitor .01uF, 100V | 10 | (650882-01) | (650882-01) | (650882-01) | (650882-01) | (650882-01) | (650882-01) | (650882-01) | (650882-01) |
| C9-C12 | Capacitor .01uF, 100V | 4 | - | (650882-01) | (650882-01) | (650882-01) | (650882-01) | (650882-01) | (650882-01) | (650882-01) |
| C13-16 | Capacitor .01uF, 100V | 4 | - | - | (650882-01) | (650882-01) | (650882-01) | (650882-01) | (650882-01) | (650882-01) |
| C17-24 | Capacitor .01uF, 100V | 8 | - | - | - | (650882-01) | (650882-01) | (650882-01) | (650882-01) | (650882-01) |
| C25-28 | Capacitor .01uF, 100V | 4 | - | - | - | - | (650882-01) | (650882-01) | (650882-01) | (650882-01) |
| C29-32 | Capacitor .01uF, 100V | 4 | - | - | - | - | - | (650882-01) | (650882-01) | (650882-01) |
| C33-36 | Capacitor .01uF, 100V | 4 | - | - | - | - | - | - | (650882-01) | (650882-01) |
| C37-40 | Capacitor .01uF, 100V | 4 | - | - | - | - | - | - | - | (650882-01) |
| L1-8,41,42,43 | Inductor, 22uH, 1.28A | 11 | (635771-10) | (635771-10) | (635771-10) | (635771-10) | (635771-10) | (635771-10) | (635771-10) | (635771-10) |
| L9-12 | Inductor, 22uH, 1.28A | 4 | - | (635771-10) | (635771-10) | (635771-10) | (635771-10) | (635771-10) | (635771-10) | (635771-10) |
| L13-16 | Inductor, 22uH, 1.28A | 4 | - | - | (635771-10) | (635771-10) | (635771-10) | (635771-10) | (635771-10) | (635771-10) |
| L17-24 | Inductor, 22uH, 1.28A | 8 | - | - | - | (635771-10) | (635771-10) | (635771-10) | (635771-10) | (635771-10) |
| L25-28 | Inductor, 22uH, 1.28A | 4 | - | - | - | - | (635771-10) | (635771-10) | (635771-10) | (635771-10) |
| L29-32 | Inductor, 22uH, 1.28A | 4 | - | - | - | - | - | (635771-10) | (635771-10) | (635771-10) |
| L33-36 | Inductor, 22uH, 1.28A | 4 | - | - | - | - | - | - | (635771-10) | (635771-10) |
| L37-40 | Inductor, 22uH, 1.28A | 4 | - | - | - | - | - | - | - | (635771-10) |

Note: Part numbers enclosed in brackets () are not available individually, but may be sold in assemblies or kits.

| Ref | Description | Qty | ESP-8MC | ESP-12MC | ESP-16MC | ESP-24MC | ESP-28MC | ESP-32MC | ESP-36MC | ESP-40MC |
|--------------------|--------------------------------------|-----|-------------|-------------|-------------|-------------|-------------|-------------|-------------|-------------|
| LP1,8,41,42 | Mov, 50V, 2500A | 10 | (651272) | (651272) | (651272) | (651272) | (651272) | (651272) | (651272) | (651272) |
| LP9-12 | Mov, 50V, 2500A | 4 | - | (651272) | (651272) | (651272) | (651272) | (651272) | (651272) | (651272) |
| LP13-16 | Mov, 50V, 2500A | 4 | - | - | (651272) | (651272) | (651272) | (651272) | (651272) | (651272) |
| LP17-24 | Mov, 50V, 2500A | 8 | - | - | - | (651272) | (651272) | (651272) | (651272) | (651272) |
| LP25-28 | Mov, 50V, 2500A | 4 | - | - | - | - | (651272) | (651272) | (651272) | (651272) |
| LP29-32 | Mov, 50V, 2500A | 4 | - | - | - | - | - | (651272) | (651272) | (651272) |
| LP33-36 | Mov, 50V, 2500A | 4 | - | - | - | - | - | - | (651272) | (651272) |
| LP37-40 | Mov, 50V, 2500A | 4 | - | - | - | - | - | - | - | (651272) |
| LP44 | Mov, 47V, 1000A | 1 | (650875) | (650875) | (650875) | (650875) | (650875) | (650875) | (650875) | (650875) |
| LP45-47 | Mov, 56V, 1000A | 2 | (624624) | (624624) | (624624) | (624624) | (624624) | (624624) | (624624) | (624624) |
| Q1-8,41,42 | Triac, 6A | 10 | (651138) | (651138) | (651138) | (651138) | (651138) | (651138) | (651138) | (651138) |
| Q9-12 | Triac, 6A | 4 | - | (651138) | (651138) | (651138) | (651138) | (651138) | (651138) | (651138) |
| Q13-16 | Triac, 6A | 4 | - | - | (651138) | (651138) | (651138) | (651138) | (651138) | (651138) |
| Q17-24 | Triac, 6A | 8 | - | - | - | (651138) | (651138) | (651138) | (651138) | (651138) |
| Q25-28 | Triac, 6A | 4 | - | - | - | - | (651138) | (651138) | (651138) | (651138) |
| Q29-32 | Triac, 6A | 4 | - | - | - | - | - | (651138) | (651138) | (651138) |
| Q33-36 | Triac, 6A | 4 | - | - | - | - | - | - | (651138) | (651138) |
| Q37-40 | Triac, 6A | 4 | - | - | - | - | - | - | - | (651138) |
| R1 | Resistor, 2W, .1 Ohms | 1 | (650766-01) | (650766-01) | (650766-01) | (650766-01) | (650766-01) | (650766-01) | (650766-01) | (650766-01) |
| J1 | Header, Polzd. .100 Centers | 1 | (650872-50) | (650872-50) | (650872-50) | (650872-50) | (650872-50) | (650872-50) | (650872-50) | (650872-50) |
| TB1-TB2 | Terminal Block, .300 SPC, 1 POS | 16 | (651000-01) | (651000-01) | (651000-01) | (651000-01) | (651000-01) | (651000-01) | (651000-01) | (651000-01) |
| TB3 | Terminal Block, .300 SPC, 1 POS | 8 | - | (651000-01) | (651000-01) | (651000-01) | (651000-01) | (651000-01) | (651000-01) | (651000-01) |
| TB4 | Terminal Block, .300 SPC, 1 POS | 8 | - | - | - | (651000-01) | (651000-01) | (651000-01) | (651000-01) | (651000-01) |
| TB5 | Terminal Block, .300 SPC, 1 POS | 8 | - | - | - | - | (651000-01) | (651000-01) | (651000-01) | (651000-01) |
| TB6 | Terminal Block, .300 SPC, 1POS | 8 | - | - | - | - | - | (651000-01) | (651000-01) | (651000-01) |
| (F1) | Fuse Clip (120 V) | 2 | (650098) | (650098) | (650098) | (650098) | (650098) | (650098) | (650098) | (650098) |
| F1 | Fuse, Slow Blow, 120 V, 2.5 Amp | 1 | (650431-28) | (650431-28) | (650431-28) | (650431-28) | (650431-28) | (650431-28) | (650431-28) | (650431-28) |
| (F1) | Fuse Clip (220 V) | 2 | (651515) | (651515) | (651515) | (651515) | (651515) | (651515) | (651515) | (651515) |
| F1 | Fuse, Slow Blow, 220 V, 2.5 Amp | 1 | (650966-14) | (650966-14) | (650966-14) | (650966-14) | (650966-14) | (650966-14) | (650966-14) | (650966-14) |
| GT1-4,21,22 | Gas Tube, 300V, 20kA | 6 | (651427) | (651427) | (651427) | (651427) | (651427) | (651427) | (651427) | (651427) |
| GT5-6 | Gas Tube, 300V, 20kA | 2 | - | (651427) | (651427) | (651427) | (651427) | (651427) | (651427) | (651427) |
| GT7-8 | Gas Tube, 300V, 20kA | 2 | - | - | (651427) | (651427) | (651427) | (651427) | (651427) | (651427) |
| GT9-12 | Gas Tube, 300V, 20kA | 4 | - | - | - | (651427) | (651427) | (651427) | (651427) | (651427) |
| GT13-14 | Gas Tube, 300V, 20kA | 2 | - | - | - | - | (651427) | (651427) | (651427) | (651427) |
| GT15-16 | Gas Tube, 300V, 20kA | 2 | - | - | - | - | - | (651427) | (651427) | (651427) |
| GT17-18 | Gas Tube, 300V, 20kA | 2 | - | - | - | - | - | - | (651427) | (651427) |
| GT19-20 | Gas Tube, 300V, 20kA | 2 | - | - | - | - | - | - | - | (651427) |
| LP46 | Mov, 35V, 1000A | 2 | (624624) | (624624) | (624624) | (624624) | (624624) | (624624) | (624624) | (624624) |
| J2 | Header, Snap-in Pegs, 2 Pin | 1 | (651491-02) | (651491-02) | (651491-02) | (651491-02) | (651491-02) | (651491-02) | (651491-02) | (651491-02) |
| J7 | Header, Snap-in Pegs, 5 Pins | 1 | (651491-05) | (651491-05) | (651491-05) | (651491-05) | (651491-05) | (651491-05) | (651491-05) | (651491-05) |
| J3 | Connector, DB-15, Straight | 1 | (651659) | (651659) | (651659) | (651659) | (651659) | (651659) | (651659) | (651659) |
| J4 | Connector, DB-15, Straight | 1 | - | - | (651659) | (651659) | (651659) | (651659) | (651659) | (651659) |
| J5 | Connector, DB-15, Straight | 1 | - | - | - | - | (651659) | (651659) | (651659) | (651659) |
| J6 | Connector, DB-15, Straight | 1 | - | - | - | - | - | - | - | (651659) |
| 60 | Sensor Jumper Wire | 1 | (633442) | (633442) | (633442) | (633442) | (633442) | (633442) | (633442) | (633442) |
| 61 | Grounding Wire, 12 AWG | 1 | (634943-11) | (634943-11) | (634943-11) | (634943-11) | (634943-11) | (634943-11) | (634943-11) | (634943-11) |
| Accessories ESP-MC | | | | | | | | | | |
| 62 | Operation Manual | 1 | 634593 | 634593 | 634593 | 634593 | 634593 | 634593 | 634593 | 634593 |
| 63 | Poster Installation Instruc. ESP-MC1 | 1 | 634529 | 634529 | 634529 | 634529 | 634529 | 634529 | 634529 | 634529 |
| 65 | Card, Customer Registration | 1 | 632354 | 632354 | 632354 | 632354 | 632354 | 632354 | 632354 | 632354 |
| 66 | Battery Nicad | 1 | 650929 | 650929 | 650929 | 650929 | 650929 | 650929 | 650929 | 650929 |
| 67 | Wire Nuts Kit | 1 | (634613) | (634613) | (634613) | (634613) | (634613) | (634613) | (634613) | (634613) |
| 68 | Mounting Screw Kit | 1 | (633182) | (633182) | (633182) | (633182) | (633182) | (633182) | (633182) | (633182) |
| 69 | Mounting Plate Assy. | 1 | (635005-02) | (635005-02) | (635005-02) | (635005-02) | (635005-02) | (635005-02) | (635005-02) | (635005-02) |

Note: Part numbers enclosed in brackets () are not available individually, but may be sold in assemblies or kits.