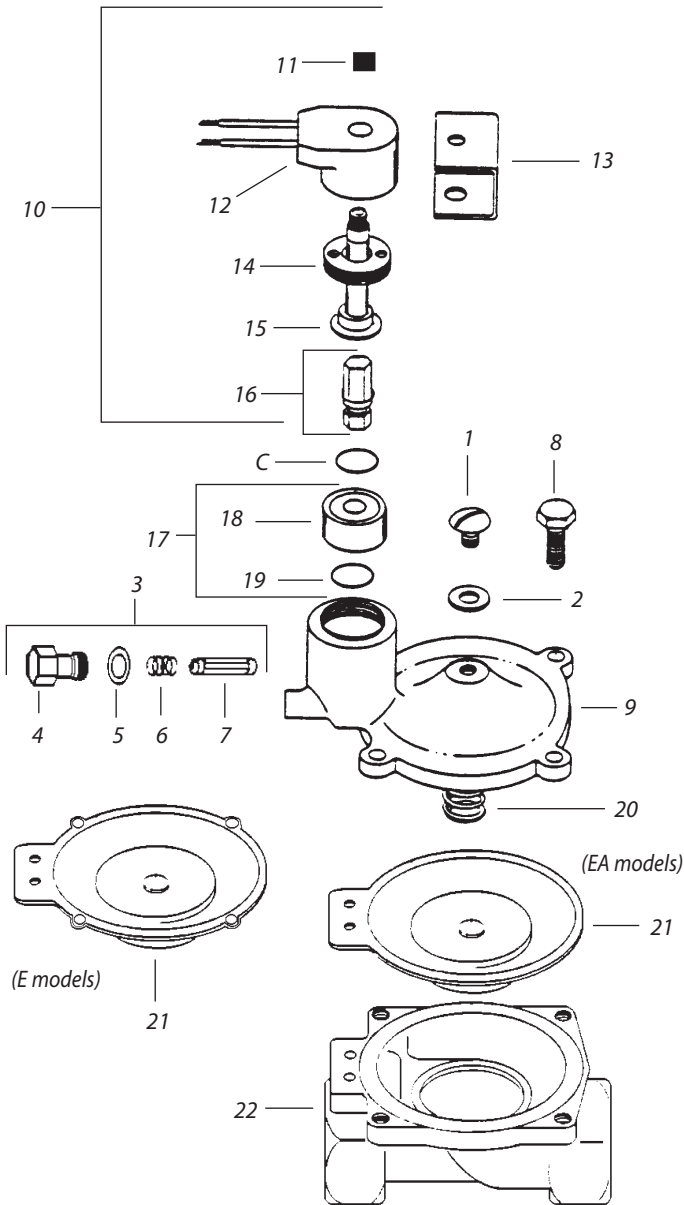


75E / 100E / 75EA / 100EA



Ref.	Part Description	75E	100E	75EA	100EA
BONNET ASSEMBLY					
1	Bleed Screw	202502	202502	202502	202502
2	Bleed Gasket	(202518)	(202518)	(202518)	(202518)
3	Filter Screen Assy	202653	202653	202653	202653
4	Filter Body	(202650)	(202650)	(202650)	(202650)
5	O-Ring	(202668)	(202668)	(202668)	(202668)
6	Spring	(202584)	(202584)	(202584)	(202584)
7	Filter	206092-02	206092-02	206092-02	206092-02
8	Bonnet Bolt (4)	202507	202507	202507	202507
9	Bonnet	(A)	(A)	(A)	(A)
SOLENOID ASSEMBLY					
10	Solenoid Assy	206920-01	206920-01	206920-01	206920-01
11	Rubber Retainer	627167	627167	627167	627167
12	Coil	602118	602118	602118	602118
13	U-Frame	210914	210914	210914	210914
14	Base Nut (Brass)	602142	602142	602142	602142
15	Tube	630028	630028	630028	630028
16	Plunger/Spring Assy	629453	629453	629453	629453
C	Space Seal	(C)	(C)	(C)	(C)
17	Fluid Resistor Kit	(B) 207399	(B) 207399	(B) 207399	(B) 207399
18	Fluid Resistor	(208780)	(208780)	(208780)	(208780)
19	O-Ring	(203316)	(203316)	(203316)	(203316)
LOWER ASSEMBLY					
20	Diaphragm Spring	202528	202528	202528	202528
21	Diaphragm Assembly	203564	203564	202868	202868
22	Body	(A)	(A)	(202601)	(202603)

- (A) Not available. No replacement.
- (B) Old style fluid resistor and space seal are replaced by new style fluid resistor and o-ring. Use Kit # 207399.
- (C) Please note: Old space seal #202538 may be used if additional solenoid plunger clearance is needed.

Note: Part numbers enclosed in brackets () are not available individually, but may be sold in assemblies or kits.