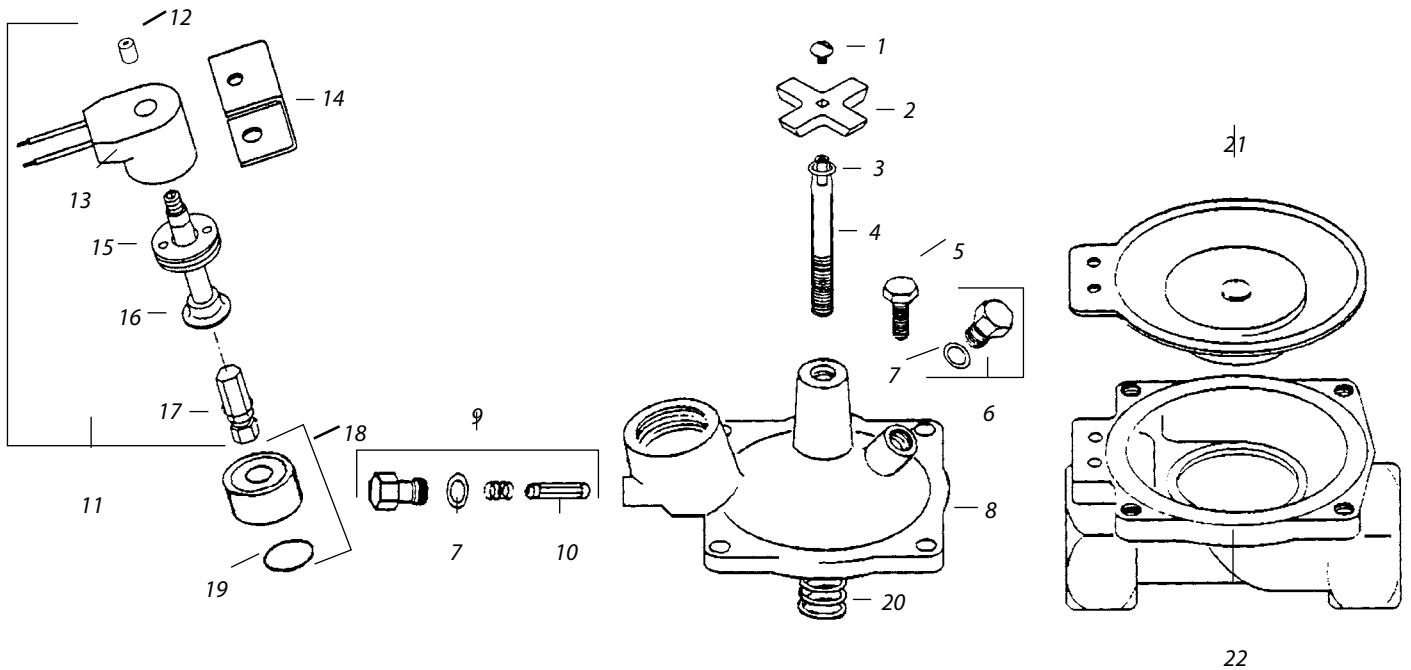




75 / 100 / 125 / 150 / 200 EF, EFA, G SERIES



Ref. Part Description	75EF	100EF	125EF	150EF	200EF	75G 75EFA	100G 100EFA	125G 125EFA	150G 150EFA	200G 200EFA
BONNET ASSEMBLY										
1 Screw	202502	202502	202502	202502	202502	202502	202502	202502	202502	202502
2 Handle, flow control	209356	209356	209356	209356	209356	209356	209356	209356	209356	209356
NP Handle (sold separately)	231238	231238	231238	231238	231238	231238	231238	231238	231238	231238
3 O-ring, flow control	202515	202515	202515	202515	202515	202515	202515	202515	202515	202515
4 Stem, flow control	-	-	202667	202667	202667	202600	202600	202667	202667	202667
5 Bolts (A)	202507	202507	202507	202507	202507	202507	202507	202507	202507	202507
6 Bleed screw assembly	202669	202669	202669	202669	202669	202669	202669	202669	202669	202669
7 O-ring, bleed screw	202668	202668	202668	202668	202668	202668	202668	202668	202668	202668
8 Bonnet	-	-	-	-	-	(202558)	(202558)	-	-	-
- Bonnet, B style	209814-01	209814-01	-	209814-03	209814-04	-	-	209814-02	209814-03	209814-04
- Bonnet assembly, B style	209368-01	209368-01	-	209368-03	209368-04	-	-	209368-02	209368-03	209368-04
- Solenoid, EZ Bleed (B style)	209532-02	209532-02	-	209532-02	209532-02	-	-	209532-02	209532-02	209532-02
9 Filter assembly	202653	202653	202653	202653	202653	202653	202653	202653	202653	202653
7 O-ring, bleed screw	202668	202668	202668	202668	202668	202668	202668	202668	202668	202668
10 Filter	206092-02	206092-02	206092-02	206092-02	206092-02	206092-02	206092-02	206092-02	206092-02	206092-02
SOLENOID ASSEMBLY										
11 SOLENOID ASSEMBLY	206920-01	206920-01	206920-01	206920-01	206920-01	206920-01	206920-01	206920-01	206920-01	206920-01
12 Rubber retainer	627167	627167	627167	627167	627167	627167	627167	627167	627167	627167
13 Coil	602118	602118	602118	602118	602118	602118	602118	602118	602118	602118
14 U-Frame	210914	210914	210914	210914	210914	210914	210914	210914	210914	210914
15 Nut, base (brass)	602142	602142	602142	602142	602142	602142	602142	602142	602142	602142
16 Tube, welded	630028	630028	630028	630028	630028	630028	630028	630028	630028	630028
17 Plunger/spring assembly	629453	629453	629453	629453	629453	629453	629453	629453	629453	629453
18 Fluid resistor assembly	207399	207399	207400	207401	207401	207399	207399	207400	207401	207401
19 O-ring	203316	203316	203316	203316	203316	203316	203316	203316	203316	203316
LOWER ASSEMBLY										
20 Diaphragm spring	202528	202528	(202516)	202542	202542	202528	202528	(202516)	202542	202542
21 Diaphragm assembly	203564	203564	202511	202520	203500	202868	202868	203604	202614	202615
22 Body, NPT	-	-	-	-	-	-	202603	202564	202605	202607

(A) 200 series requires 6 bolts, all others require 4 bolts.-

Note: Part numbers enclosed in brackets () are not available individually, but may be sold in assemblies or kits.