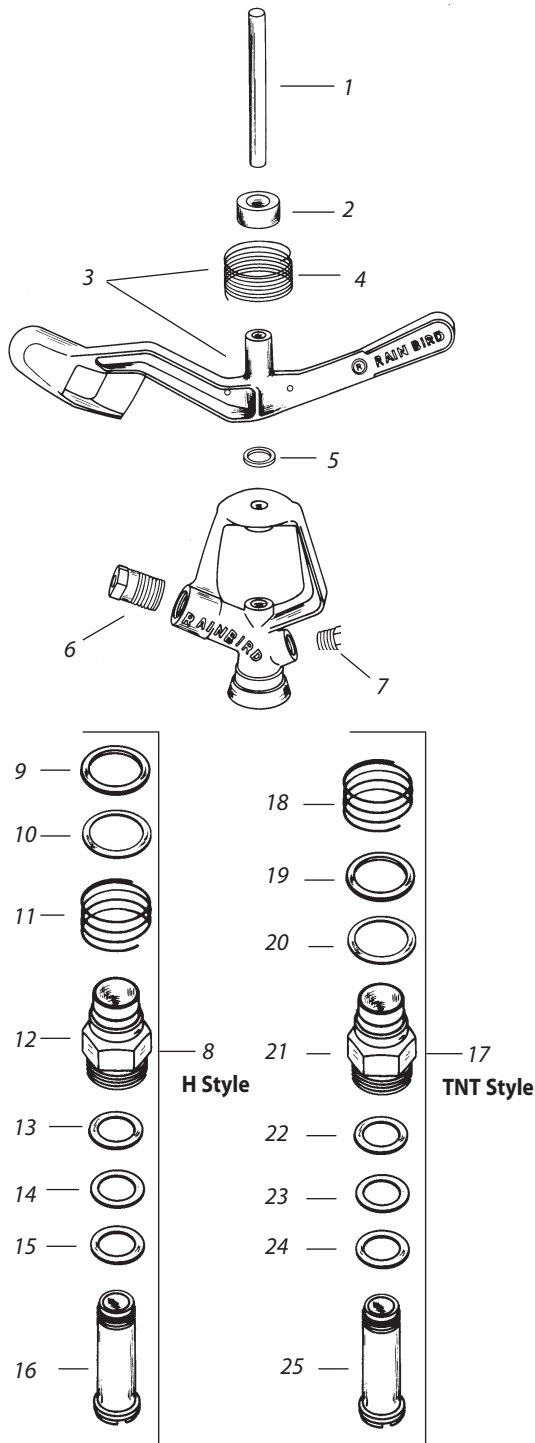


30B TNT / 30BW TNT / 30BH
30BEH / 30BWH / 30BEWH



Ref.	Part Description	30B TNT	30B H
		30BW TNT	30BE H
UPPER ASSEMBLY			
1	Fulcrum Pin	100271	100271
2	Arm Hood	100968	100968
3	Arm Spring Assembly	104236	104236
4	Arm Spring	100305	100305
5	Arm Washer	100270	100270
NOZZLES (Specify nozzle size when ordering)			
6	Straight Bore	105842	105842
-	Straight Bore w/Vane (E Model)	-	106131
-	Keyhole	106353	106353
7	Spreader 7 Degree	100225	100225
7	Spreader 20 Degree	100226	100226
-	Rain Flow	111089	111089
7	Spreader Plug (W Model)	100255	100255
-	Vane (E Model)	105816	105816
BEARING ASSEMBLY			
8	Bearing Assembly (H Style)	104761	104761
9	Top Seal Washer (White)	100313	100313
10	Metal Top Seal Washer	100312	100312
11	Bearing Spring	106237	106237
12	Bearing Sleeve	103670	103670
13	Bearing Washer (Black)	100726	100726
14	Wear Washer (White)	104762	104762
15	Seal Washer (Gray)	102345	102345
16	Bearing Nipple	103669	103669
17	Bearing Assembly (Old TNT Style)	(A)	-
18	Bearing Spring	106237	-
19	Top Seal Washer (White)	100313	-
20	Metal Top Seal Washer	100312	-
21	Bearing Sleeve	(A) (102486)	-
22	Wear Washer (T-Ring)(Orange)	102076	-
23	Bearing Washer (Black)	100726	-
24	Seal Washer (Gray)	102345	-
25	Bearing Nipple	(A) (100316)	-

(A) Not Available. Use Bearing Assembly # 104761. (H Style)

Note: Part numbers enclosed in brackets () are not available individually, but may be sold in assemblies or kits.