

ACCESSORIES



Rain Bird® accessories efficiently and reliably work around the golf course, making it easier to enhance appearance and playability, while optimizing water use and minimizing labor and maintenance costs. From our easy-to-install, single-piece wire connectors to our highly durable service tools, we deliver the quality accessories you need to stay within budget and keep your course in ideal playing condition.



WEATHER STATIONS

Rain Bird Weather Stations are simple to install and provide accurate measurement of six different types of weather data: air temperature, solar radiation, relative humidity, wind speed, wind direction and rainfall.



LAKE MANAGEMENT AERATORS

Rain Bird Lake Management Aerators feature single or multiple patterns that enhance overall course appearance, while reducing costly expenses associated with a water source that is ecologically out of balance.



HOSE REELS

Rain Bird Hose Reels are durably constructed and feature an ergonomic, easy-to-use design, so crews can water faster and more efficiently, which saves valuable time.



UNDERGROUND HOSE REELS

Rain Bird Underground Hose Reels are the best solution to economically and efficiently syringe greens, while reducing turf wear and minimizing interruptions of play.



HOSE-END NOZZLES

Rain Bird Hose-End Nozzles offer different flow rates for different applications. Fully adjustable spray patterns allow you to meet challenges of all shapes and sizes.



DB SERIES WIRE CONNECTOR

Rain Bird DB Series Wire Connectors make installations a snap through a unique, single-piece design. The result is a faster connection with fewer parts to manage.

Rain Bird offers two Weather Station Options to help meet your course's unique irrigation management needs. Both WS-PRO2 and the WS-PRO LT provide evapotranspiration (ET) management and reporting capabilities; while only the WS-PRO2 offers optional intelligent alarm and irrigation control responses through powerful Smart Weather™ software.

FEATURES AND BENEFITS

Superior ET Model. Rain Bird's Central Control Systems use weather sensor input to determine ET rates based upon a field-proven proprietary equation for ET.

Automatic ET Download/Selective Usage. Automatically download weather data daily and calculate ET to determine irrigation times for the entire system or specific areas, holes or stations.

ET Override. Allows you to easily set certain programs to ignore ET values when determining run times.

Rain Bucket. Allows rainfall from one day to be carried over to the following day(s) for more accurate ET calculations.

Multiple Station Capacity. Connect up to five (5) weather stations to one central control system for more precise ET values based upon different weather conditions around the golf course.

Max Rainfall. User-defined maximum rainfall can be set to limit the amount of acceptable rainfall for clay soil types or other areas that are subject to high run-off.

Weather Data Reports. Generate reports to show current or past weather conditions by the hour, day, week, month or year.

Unlimited Data Storage. Store unlimited weather data at the central control.

Multiple Languages. Choose from 10 different languages (English, French, German, Italian, Japanese, Korean, Portuguese, Spanish, Swedish or Chinese).

English or Metric Measurement Units. Select between English or Metric units of measure.

The WS-PRO2 Weather Station goes a step further by working with the central control system, generating alarms for:

- Rain
- High or Low Ambient Temperatures
- High Winds
- Rainfall Intensity

These alarms exceed user-defined thresholds in user-defined time periods. The system will reset alarms automatically when temperature, rain or wind conditions are again within acceptable ranges for irrigation.

Automatic Shut Off/Turn On. Rain Bird Central Control Systems automatically shut OFF irrigation to the entire system or to specific areas only (tee box, fairway, green, etc.) when alarm conditions are detected at the weather station. They also automatically turn ON irrigation when weather conditions return to the acceptable range for irrigation.

Automatic Pause/Resume. Rain Bird Central Control Systems automatically suspend irrigation to the entire system or specific areas only (tee box, fairway, greens, etc.) when alarm conditions are detected by the weather station. They also automatically resume irrigation when weather conditions return to the acceptable range for irrigation.

Automatic Notification. The WS-PRO2 Weather Station, using Rain Bird® Messenger™, can automatically notify you wherever you are, at the central control or via paging, text messaging or e-mail when alarm conditions exist.

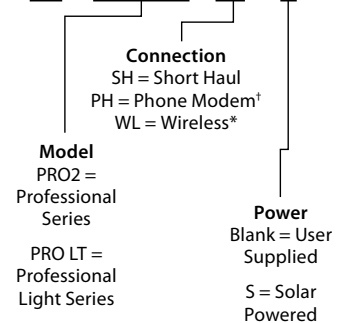


The WS-PRO2 sensor array records vital weather information and sends it to your computer.

● WS-PRO2 Weather Station

HOW TO SPECIFY

WS - XXXX-XX - XX - X



*Only available on WS-PRO LT

† Only available on WS-PRO2



● WS-PRO LT

	WS-PRO LT	WS-PRO2
SPECIFICATIONS		
Compatible Modules	<ul style="list-style-type: none"> Automatic ET Multiple Weather Station 	<ul style="list-style-type: none"> Automatic ET Multiple Weather Station Smart Weather™ Alarms SmartMessenger Module
Communication Options	<ul style="list-style-type: none"> Wireless (900MHz SS Radio or 2.4GHz Radio) Short Haul 	<ul style="list-style-type: none"> Telephone Short Haul
Transmission Range	<ul style="list-style-type: none"> Wireless 900 MHz ½ mile (805 m) Wireless 2.4 GHz ¼ mile (402 m) Short Haul – 20,000 ft (6.096 m) 	<ul style="list-style-type: none"> Telephone – no limit Short Haul – 20,000 ft (6.096 m)
Power Supply Required	• 16 to 22 VDC	• 9.5 to 16 VDC
Optional Power Supplies	• Solar Panel	• Solar Panel
Temperature Range	• -40° to 122° F (-40° to 50° C)	• -13° to 122° F (-25° to 50° C)
Air Temperature Sensor		
Operating Range	• -40° to 122° F (-40° to 50° C)	• -13° to 122° F (-25° to 50° C)
Accuracy	• ±0.9° F (±0.5° C)	• ±2.7° F (±1.5° C)
Relative Humidity Sensor		
Operating Range	• 0 – 100%	• 0 – 100%
Accuracy	<ul style="list-style-type: none"> ±5% – 90% to 100% RH ±3% – 10% to 95% RH 	<ul style="list-style-type: none"> ±6% – 90% to 100% RH ±3% – 0% to 90% RH
Rain Gauge Sensor		
Resolution	• 0.04" (1 mm)	• 0.01" (0.25 mm)
Solar Radiation Sensor		
Accuracy	• ±2.5%	• ±3%
Wind Direction Sensor		
Range	• 360° mechanical, 352° electrical	• 360° mechanical, 356° electrical
Accuracy		• ±4°
Wind Speed Sensor		
Starting Threshold	• 0.78 ms ⁻¹ (1.75 mph)	• 0.4 ms ⁻¹ (0.9 mph)

	AUTOMATIC ET MODULE	ALARMS MODULE
SMART WEATHER FEATURES		
Compatible Weather Stations	WS-PRO LT, WS-PRO2	WS-PRO2
Generate Alarms <i>(rain, ambient temperature, wind, rain intensity and soil temperature)</i>		X
Reset Alarms		X
Automatic Shut Off/Turn On		X
Automatic Pause/Resume		X
Automatic Notification*		X
Superior ET Model	X	X
Automatic ET Download	X	X
ET Override	X	X
Cost Savings	X	X
Rain Bucket	X	X
Multiple Station Capacity**	X	X
Max Rain Fall	X	X
Reliable Sensor Input	X	X
Weather Data Reports	X	X
Unlimited Data Storage	X	X
Multiple Languages	X	X
English or Metric Units of Measure	X	X
Cirrus™ Central Control	X	X
Nimbus™ II Central Control	Optional	Optional
Stratus™ II Central Control	Optional	Optional
Stratus LT™	Optional	

* Requires Smart Messenger Module.

** Requires Multiple Weather Station Module.

BENEFITS OF RAIN BIRD® LAKE MANAGEMENT AERATORS

Functional

Clean, treated lake or pond water will have a positive impact on your irrigation and pumping efficiencies, delivering a reliable, cost-effective irrigation solution that's chemical free, low maintenance and eco-friendly.

Cost-effective

No recurring chemical or fertilizer costs means a Rain Bird Aerator is a solution that saves money as it saves your water feature.

Reliable

Backed by the Rain Bird name and built-to-last, all Rain Bird Aerators are constructed from the highest quality, corrosion-resistant parts.

Aesthetic

Available in a multitude of beautiful spray patterns, Rain Bird® Lake Management Aerators will enhance the natural beauty of any lake or pond.

MATCHING A RAIN BIRD AERATOR TO YOUR NEEDS

Conditions and product selection

Proper sizing and placement are critical to how quickly and efficiently your Rain Bird Lake Management Aerator is able to clean your lake or pond. Sizing an aerator system depends on surface area, depth, climatic conditions and the lake's age.

Sizing

Rain Bird LM Aerators are available in 1 – 5hp models. As a general rule, use 2hp per surface acre or 4,000 square meters of water. If your lake is less than 6 feet (2 m) deep, or if there is evidence of high nutrient levels, you should double your horsepower.

Placement

Placement is dependent on the size and shape of your lake or pond. Like sprinklers, Rain Bird LM Aerators have zones and ranges.

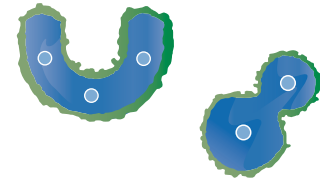
In round, square or oval lakes, place the aerator in the center or over the deepest area to generate maximum circulation. In larger or thin lakes, several small units will be more effective than one large unit. This will generate better circulation throughout the lake. In irregularly shaped lakes, use several aerators placed strategically to ensure maximum circulation.



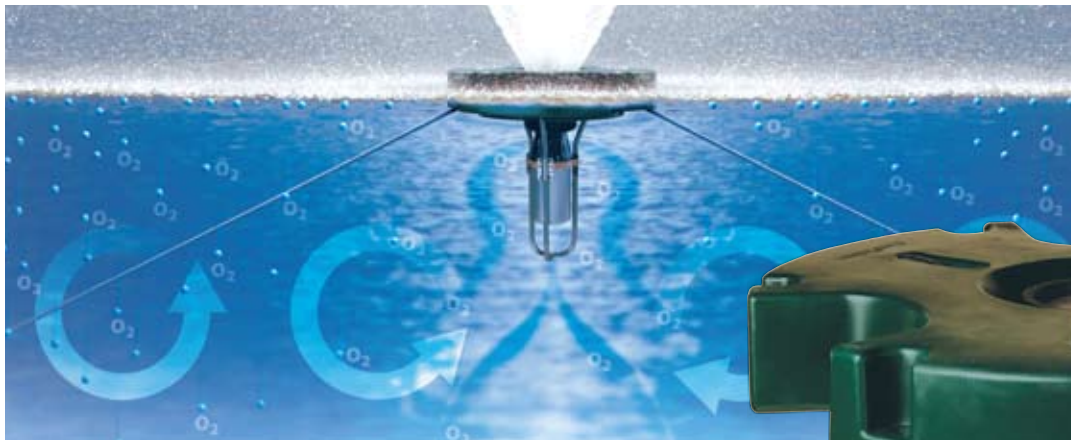
Round



Thin



Irregular



SINGLE-PATTERN LAKE MANAGEMENT AERATORS

These lake management solutions include aerators with aesthetically pleasing plumes that add dissolved oxygen to sufficiently assure ecologically-balanced water quality. They are available with 1 to 5hp pumps.

Performance Features

- All 60 Hz units are factory assembled.
- Heavy-duty 304 stainless steel arms support a float filled with U.S. Coast Guard-approved closed-cell foam.
- Stainless steel housing contains a custom-built electric motor, designed to move high volumes of water and provide years of dependable service.
- Unique pumping chamber attaches to the upper plate of the motor housing to achieve the highest pumping rates possible under pressure.
- Deflector plate provides an appealing display.
- Fine mesh screen prevents the intake of debris to allow the continuous flow of incoming water, and ensures full and symmetrical spray patterns when in operation.
- LM11 only — virtually unbreakable stainless steel chopper-style prop.

NOTE: Rain Bird light options are available to enhance the aesthetics of these aerators. Lighting systems run on 12-volt power and are available with 65-watt halogen bulbs. Stainless steel mounting brackets facilitate installation to achieve a variety of illumination effects.

SPECIFICATIONS

Unit: Manufactured of corrosion-resistant, 18-8 stainless steel and high-density thermal plastics. Corrosion-resistance allows unit to be installed in almost all water source types.

Float: Green exterior shell is made of high-density thermal plastic polyethylene. The interior of the float is closed-cell polyethylene.

Motor: Custom-built electric motor with dynamically balanced rotors. Encased in a stainless steel housing that is completely hidden from view.

Cable: 10 and 12 gauge cable is available and must be ordered separately (50 feet minimum in increments of 25 feet).

Screen: ¼" Nylon fine mesh water intake screen for 10, 20 and 30 models only.

Power Control Center: Nema 3R-rated control center includes ground fault interrupt (all units except 460 V); magnetic starter; surge arrestor; power disconnect; 24-hour on/off timer (optional 460 V ground fault available).

Warranty: Backed by Rain Bird Customer Satisfaction Warranty.

Safety Testing: Components UL and CSA listed; assembly tested and approved by ETL, ETL-C and CE.

MULTI-PATTERN LAKE MANAGEMENT AERATORS

Primarily installed for their aesthetic appeal, these multi-pattern aerators also provide limited water quality enhancement in smaller ponds and lakes. They are available with ½ and ¾hp pumps.

Performance Features

- All LMM units are factory assembled.
- Manufactured entirely of stainless steel and thermal plastics to provide years of dependable service.
- Stainless steel debris screen prevents the intake of foreign objects to allow the continuous flow of incoming water, which ensures aesthetically pleasing spray patterns.
- Mini power center is encased in industrial-grade, non-corroding case to assure reliability.
- Spray pattern can be changed to 10, 11 or 20.
- Diffuser ring allows the spray pattern to be varied in height and diameter (LMM with 10 and 20 patterns only).

NOTE: Rain Bird light options are available to enhance the aesthetics of these multi-pattern aerators. Lighting systems run on 12-volt power and are available with 20-watt halogen bulbs. Stainless steel mounting brackets facilitate installation to achieve a variety of illumination effects.

SPECIFICATIONS

Unit: Manufactured of corrosion-resistant, 18-8 stainless steel and high-density thermal plastics. Corrosion-resistance allows unit to be installed in almost all water source types.

Float: Black exterior shell is made of high-density thermal plastic polyethylene. The interior of the float is closed-cell polyethylene.

Motor: Custom-built submersible, water-cooled, corrosion-resistant, stainless steel motor. Constructed to run continuously and are available in 50 Hz at 2875 RPM or 60 Hz at 3450 RPM.

Impellers/Props: Manufactured of polyphenylene oxide, modified. Material is corrosion-resistant to most types of water, salt solutions and acids.

Cable: 10- and 12-gauge cable is available and must be ordered separately (50 feet minimum in increments of 25 feet).

Mini Power Center: 115 V unit controls are enclosed in a 5" x 5" x 4" industrial-grade, all plastic, non-corroding case. 115 V controls consist of 24-hour on/off timer and GFI. 230 V units are enclosed in a 11" x 11" x 6" high-impact, corrosion-resistant thermal plastic, Nema rated type 3S. 230 V unit controls consist of 24-hour on/off timer, fuse or circuit breaker protection and GFI.

Screen: Corrosion-resistant 18-8 stainless steel intact screen to efficiently prevent clogging.

Warranty: Backed by Rain Bird Customer Satisfaction Warranty.

Safety Testing: Safety tested and approved as a package by ETL, ETL-C and CE.



Single-Pattern (LM Series)



LM10

A single plume geyser-type spray pattern offers aesthetic appeal while helping manage the health and appearance of ponds and lakes.



LM11

Designed to deliver the highest oxygen transfer rate, the aerator provides an efficient, economical solution for high-quality water management. Its fan-shaped spray offers a perfect balance of form and function.



LM20

The double-plume spray pattern adds dramatic appeal to any body of water. The moderate pumping rate introduces needed oxygen to the body of water, improving the health and appearance of the pond or lake.



LM30

A beautiful three-plume spray pattern adds character and multi-dimensional ambience while efficiently managing the biological processes below the water's surface.

Basic component features include a float, motor housing, support arms.

Multi-Pattern (LMM Series)



Primarily installed for aesthetic appeal, the LMM multi-pattern aerator also provides limited water quality enhancement for smaller ponds or lakes. Spray patterns can be changed to LMM10, LMM11 and LMM20.

Available in ½ and ¾hp pumps. Basic component features include a float, motor housing, impellers/props and Mini Power Center.

Rain Bird® Hose Reels make watering with hoses faster, safer and more efficient, saving your crews valuable time and money. Top-quality materials and construction combine with an ergonomic, easy-to-use design. Our full line can meet virtually any need, in both mounted and trailer models.

BENEFITS

Efficiency — Hose reels let you put the hose where you need it, when you need it — improves efficiency and reduces clutter.

Economy — Tests prove hoses that are properly stored on a reel will last five (5) to seven (7) times longer; reduces downtime and replacement costs.

Ergonomics — Hose reels make handling easier and more comfortable for workers over the course of a long day. Provides low hose tension during pullout and controlled return speed.

Safety — Hose reels keep hose out of the way when not in use. Eliminates tripping and safety problems.

MODELS

Heavy-Duty Hose Reel

Designed for heavy-duty applications requiring long hose lengths.

- Adjustable spool rotation eliminates hose backlash when de-reeling.
- Zinc-plated swivel with VITON® "O" ring seals.
- Permanently lubricated dual main bearings.
- Motor mounting at either end of the reel.
- All bolted construction — no welds.
- Lock pin prevents spool rotation when the reel is not in use.
- Vibration-proof self-locking fasteners ensure assembly integrity.
- Available in hand crank or motor drive models. Manual driven reels are easily converted to power driven reels.
- Includes 10' (3.0 m) connecting hose only.

Spring Driven Reel

Incorporate contemporary engineering and construction for the ultimate in trouble-free performance. Ideal for applications with critical space requirements.

- Guide is field adjustable for wall, ceiling or truck mounting positions.
- Heavy-duty brackets eliminate bending due to angular hose pull.
- Banded drive springs give smooth, automatic hose retrieval.
- All reels are permanently factory lubricated.
- Reliable latch will maintain the desired working length of hose. Our mechanism assures a positive latch or unlatch of the hose.
- Nylon guide rollers reduce hose drag and abrasion.
- Includes air/water hose only.

Poly Hose Reel

Lightweight and easy to handle, meets the needs for continuous, problem-free operation. Highly resistant to acids and alkalis.

- Spring retraction.
- Corrosion proof and virtually maintenance free.
- Tough, U.V.-stabilized outer case with a simple and reliable latch mechanism.
- Spring tension easily adjusted.
- Pivoting wall bracket included.
- Includes air/water and 4' (1.2 m) connecting hose.

Composite Hose Reel

Hybrid design incorporates industrial grade steel with engineered composite components. Ideal for applications that are less demanding.

- Base and arm feature heavy gauge steel stampings with reinforced ribs for structural integrity.
- Glass-filled composite spool and spring case contain industrial grade drive spring.
- Latch mechanism is mounted on arm to ensure hose latch-out will not occur.
- Long-lasting torsion spring and swivel ensures maximum life.
- Includes air/water hose only.

Electric Cord Reel

Compact, electric cord reels are ideal for indoor applications where space is critical.

- Spring retractable with latch.
- Designed for wall, ceiling or bench mounting.
- Features adjustable cord stop.

Towable Hose Reel Trailer

Ergonomic design and rugged construction make hose handling easier, quicker and more efficient.

- Easily attaches to most off-road golf work vehicles or carts with clevis pin hitch.
- 40" x 40" (102 cm x 102 cm) heavy gauge steel bed is predrilled for heavy-duty hose reels.
- Dual-tapered automotive style bearings and solid steel axle for smooth, reliable operation.
- Pneumatic tires and high quality wheels are recessed under trailer bed to eliminate snagging of trees and shrubs.
- Extra long 32" (81 cm) trailer tongue allows for sharper turns and easier back-up.
- **For off-road use only. No riders.**



● Heavy-Duty Hose Reel



● Spring Driven Hose Reel



● Poly Hose Reel



● Composite Hose Reel



● Electric Cord Reel



● Towable Hose Reel Trailer

Underground Hose Reel

Rain Bird's Underground Hose Reel is the best solution to accessing greens. The Underground Hose Reel makes syringing greens economical and efficient while cutting down on turf wear.

Hand-watering greens allows for a more direct and targeted application of water, especially during times of extreme heat or dry conditions. An Underground Hose Reel leads to less interruption for golfers and maintains the course's professional appearance. Grounds crews can move between greens without dragging a hose, which saves time, reduces employee fatigue and most importantly cuts down on turf wear.

The Underground Hose Reel is easy to install, use and maintain. Three hose lengths (50, 75 or 100 feet) allow enough flexibility for watering or syringing any green.

BENEFITS

- Enhanced ability to preserve the conditions of golf courses by reducing course wear and tear, and turf damage from driving carts and dragging hoses across the playing surface.
- Less interruption and inconvenience for golfers.
- More professional look for golf courses; makes the course more playable by being less obtrusive than hoses left next to a fairway or near a green.
- Maximizes labor efficiency by making the job of watering greens easier and less burdensome for greenskeepers. It saves time, reduces employee fatigue and takes the monotony out of the job.
- Hand watering complements sprinkler watering and will provide a targeted water distribution to the green. Efficiently managed, preserve and protect the green from extreme exposures.
- Provides the resources to react timely in urgent situations such as extreme heat stress, dry conditions and possible hydraulic oil leaks.
- Irrigation system can be pressurized to act as a blower for leaves and other debris on greens: this will save time and allow for a much more effective mowing process (system must be hooked-up to a compressor and the water blown out).

FEATURES

6" Diameter Cover: Provides quick access to water hose, yet nearly out-of-sight. Hose reel and enclosures sit just nine inches below grade level.

Brass Ball Valve: Allows system to remain fully charged for quick on/off water flow.

Bumper-Stop and Roller: Bumper-stop maintains proper length of hose in riser.

High Quality PVC Hose: Industrial grade PVC hose is specially blended for irrigation use.

Drainage Opening: The housing is open at the bottom to allow for drainage.

Anti-Jump Brackets: Anti-jump arms prevent the hose from slipping off the reel. Rollers insure smooth pulling action while guiding the hose onto the reel.

Corrosion-Resistant: Individual components are powder-coated, stainless steel or aluminum to handle adverse conditions. Corrosion-resistant, stainless steel drive spring ensures long life.

Two-Piece Reel Enclosure: Rugged, high density polyethylene housing unit provides long-lasting permanent protection.

Ratchet Lock: A locking mechanism engages every three feet to maintain desired hose length outside unit.

Stainless Steel Cover: Corrosion-resistant cover allows quick and easy access to reel for maintenance.

Spring Retractable Hose Reel Includes: hose with 1" (2.5 cm) or 3/4" (1.9 cm) male hose thread, 5' (1.5 m) inlet hose with NPTF swivel fitting connection and latch ratchet.

Specially Designed Hose: can remain pressurized at a normal operating pressure of 125 psi.



● Underground Hose Reel

HOSE REEL DIMENSIONS

MODEL	HOSE I.D.		HOSE O.D.		CAPACITY		WEIGHT WITHOUT HOSE		WEIGHT WITH HOSE		PRESSURE	
	in	mm	in	mm	ft	m	lb	kg	lb	kg	psi	Bar
HEAVY-DUTY												
H100-075	0.75	19.0	1.188	30.2	100	31.0	42	19	—	—	1000	69
H175-075	0.75	19.0	1.188	30.2	175	54.0	54	25	—	—	1000	69
H100-100	1.00	25.4	1.500	38.1	100	30.0	58	26	—	—	300	21
H100-100M	1.00	25.4	1.500	38.1	100	30.0	75	34	—	—	300	21
SPRING DRIVEN												
S050-038	0.375	10.0	0.640	16.0	50	15.0	—	—	37	17	300	21
S035-058	0.625	15.9	0.940	23.9	35	10.7	—	—	75	34	250	18
S025-075	0.75	19.0	1.188	31.0	25	8.0	—	—	52	24	250	18
S050-075	0.75	19.0	1.188	31.0	50	15.0	—	—	89	41	250	17
POLY												
P050-050	0.50	13	0.781	20.0	50	15.0	—	—	21.5	10	138	10
COMPOSITE												
C050-038	0.375	10	0.640	16	50	15	—	—	26.1	12	300	21
TRAILER												
T4040	Trailer includes Model H100-100 Hand Rewind Hose Reel, Less Hose											
T4040M	Trailer includes Model H100-100M Motor Drive Hose Reel, Less Hose											
UNDERGROUND												
HR4066	0.625	16	0.94	24	100	30	—	—	159	72	125	9
HR4063	0.750	19	1.188	30	75	23	—	—	159	72	125	9
HR4064	1.000	25	1.500	38	50	15	—	—	159	72	125	9

When you're syringing, hand watering or simply hosing down equipment, don't just go with the flow — customize it for every application with new Rain Bird® Hose-End Nozzles. Each nozzle comes in a different flow rate for different applications. Spray patterns are fully adjustable to meet demanding job sites like golf courses and athletic fields. Quick Connect couplers let you switch easily so you're always ready with the right nozzle for each situation.

BENEFITS

- Variety of nozzle options provides improved flow control for the right application
- Quick Connect couplers allow you to switch between nozzles in seconds
- Adjustable spray patterns deliver the right water distribution for each application
- Powder-coated aluminum construction for added durability
- Durable rubber bumper made to last
- Manufactured in the U.S.A.

MODELS

RAIN BIRD PART#	DESCRIPTION
NZ0100HF	High Flow Nozzle with 1" (25mm) inlet NPSH
NZ0100MF	Mid-Flow Nozzle with 1" (25mm) inlet NPSH
NZ0075MF	Mid-Flow Nozzle with 0.75" (19mm) inlet GHT
NZ0100LF	Low Flow Nozzle with 1" (25mm) inlet NPSH
NZM100	1" (25mm) Male Quick Connect Coupler NPSH
NZF100	1" (25mm) Female Quick Connect Coupler NPSH
NZF100BSP	1" (25mm) Female Quick Connect Coupler BSP Hose
NZF075	0.75" (19mm) Female Quick Connect Coupler GHT
NZF075BSP	0.75" (19mm) Female Quick Connect Coupler BSP Hose

NPSH – National Pipe Straight Hose Thread
GHT – Garden Hose Thread
BSP – British Standard Pipe Hose Thread

SPECIFICATIONS

Nozzle Inlet Threads:

- 1" (25mm) in High Flow, Mid-Flow and Low Flow models (NPSH)
- 0.75" (19mm) in Mid-Flow model (GHT)

Quick Connect Coupler Threads:

- 1" (25mm) (NPSH) male outlet
- 1" (25mm) (NPSH) female inlet
- 1" (25mm) (BSP) female inlet
- 0.75" (19mm) (GHT) female inlet
- 0.75" (19mm) (BSP) female inlet

FLOW RATES*

RAIN BIRD PART#	DESCRIPTION	MAX FLOW RATE*	OPTIMAL FLOW RATE
NZ0100HF	High Flow Nozzle with 1" (25mm) inlet NPSH	98 GPM (6.1 lps)**	20/60 GPM (1.3/3.8 lps)
NZ0100MF	Mid-Flow Nozzle with 1" (25mm) inlet NPSH	57 GPM (3.6 lps)	35 GPM (2.2 lps)
NZ0075MF	Mid-Flow Nozzle with 0.75" (19mm) inlet GHT	57 GPM (3.6 lps)	35 GPM (2.2 lps)
NZ0100LF	Low Flow Nozzle with 1" (25mm) inlet NPSH	54 GPM (3.4 lps)	10/24 GPM (0.6/1.5 lps)

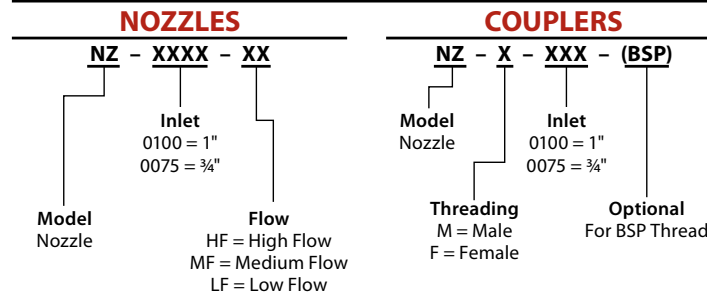
*Max flow rate based on flow at 100PSI. Flow rates will vary based on inlet pressure and friction loss through hose.

**Use only with 1" ID hose.



● Hose-End Nozzles

HOW TO SPECIFY



Quickly and easily change nozzles for the right application.



CONNECTIONS MADE EASY

Install Faster

When your installation crew is making countless wire connections on a jobsite, why slow them down with unnecessary work steps?

Using Rain Bird's® DB Series Wire Connector, they get the job done faster. Unlike other connectors on the market with multiple pieces, our connector consists of only one piece. That means no loose parts that can get lost and no time wasted on assembling wire connector parts or managing wire cap/connector inventories.

Reduce Inventory

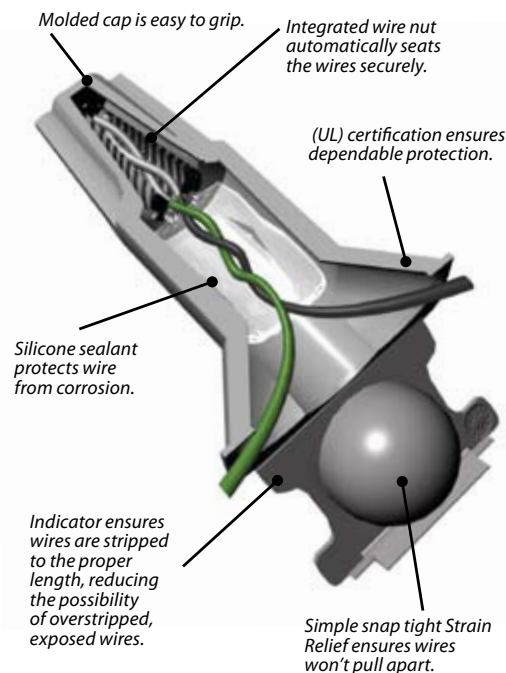
This is the only wire connector you'll need! It is ideal for use on two wire decoder control systems.

- Use for standard controllers, valve boxes and soil moisture sensors.
- Wire combinations ranging from 22ga to 6ga.
- Use on connections from 24 VAC to 600 VAC.
- UL 486D certified for direct burial.

Avoid Call Backs

Locating and repairing a corroded wire splice costs your business time and money. Avoid unnecessary service call backs. Use the Rain Bird DB Series Wire Connector for reliable connections.

- The Strain Relief ensures wires are secure and won't pull apart.
- Waterproof silicone sealant protects against corrosion.
- U.V.-material ensures product performance does not degrade even after long periods of exposure to sunlight.



INSTALLATION RECOMMENDATIONS

1. Twist DB Series Wire Connector onto wires until securely seated.
2. Position wires firmly as shown in Figure A and close lid. When installing smaller wires (e.g. two 18ga wires), position to exit out same side. See Figure B.



Figure A



Figure B

● DB Series

HOW TO SPECIFY

Box of 100: DB0100

WIRE COMBINATIONS (FOR SOLID AND STRANDED WIRE)

1-3 #10	1-4 #12	2-5 #14	4-6 #16
1 #8 with 1 #12	1 #8 w/ 1-2 #16, #18, #20 or #22	2 #18	3 #14 with 1-2 #16, #18, #20 or #22
1 #10 with 1-3 #14		2 #12 with 1-2 #14, #16 or #18	
1 #12 with 1-4 #14 or #16	1 #10 w/ 1-5 #16	3 #12 with 1 #14	1 #12 with 2-4 #18
5 #14 with 1 #18	1 #14 w/ 3-4 #18	1 #14 with 2-4 #16	3 #10 with 1 #18

The combinations listed are only a sample of the most common wire combinations.



U.V. PROTECTION MATTERS

Exposure to the sun's U.V. rays can damage unprotected plastic while in the cargo bed of your crew pickup truck. Although many brands offer UL certified products, Rain Bird is the only brand to also offer U.V. protection. The results of U.V. testing show the difference. Exposed to an equivalent period and intensity of U.V., the competitive direct bury connector cracked. Demand U.V. protection in your wire connector!



2 x 18ga Wire Connection



3 x 10ga and 1 x 18ga Wire Connection

SERVICE TOOLS

Rain Bird offers a full line of quality tools for the service and maintenance of Rain Bird Golf Rotors. Constructed of heavy-duty metal alloys and durable plastic, these tools are lightweight and easy to use.

D02203

Snap-Ring Pliers 900/950/1100/1150



D02236

Snap-Ring Pliers 700/750/500/550



B41700

Valve Insertion Tool 900/950/1100/1150



B41710

Valve Insertion Tool 700/750/500/550



B41720

EAGLE Selector Service Tool/Key



D02237

Installation Socket for
Top-Serviceable Rock Screen



D05205

Universal Hose Adapter



D02215

7" Selector Valve Key



D02221

18" Selector Valve Key



Y05100

351B Rotor Tool



232693S

351B Hold-up Tool

