

Micro Bird® Jet

The Simple Choice for Your Irrigation Needs

Use water, chemicals, and energy more efficiently with Micro Bird Jet. Its rugged construction matched with the flexibility of different spray patterns makes Micro Bird the smart choice for dependable irrigation. Featuring our signature Snap-Fit Assembly and exclusive reversible deflectors, this system is easy to maintain and built to grow with your operation—no tools necessary.



WORKMANSHIP



NO TOOLS REQUIRED
SNAP-FIT ASSEMBLY

Reversible, Dual-Sided Deflector

- Flip to adjust wetted area as crops mature
- Start young plants with smaller spray patterns like E or C for plant establishment
- Ultraviolet (UV) stabilized resin resists damage from sun and chemicals
- Choose from 8 different spray patterns

Snap-Fit Assembly

- Simple 3-part sprinkler consists of nozzle, deflector, and stake assembly that snap together by hand
- Enables easy assembly, disassembly, and cleaning
- No tools required
- Large, color-coded parts make handling intuitive and simple

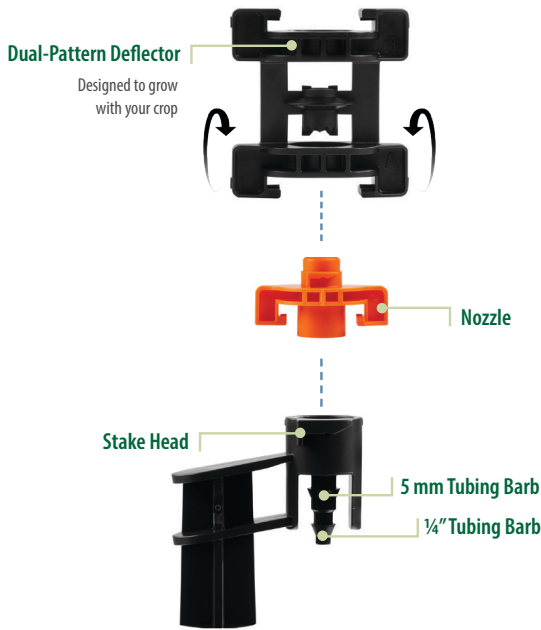
Rugged and Durable Stake

- Robust size and strength make installation easy even when soil is dry and compacted
- “C” clip ensures distribution tubing can be tucked in out of the way and close to the stake
- Large strike pad allows for easy and controlled installation
- Barb guard helps ensure tubing does not come off the stake if accidentally snagged

RAIN BIRD®

Micro Bird® Jet

MICRO BIRD JET DESIGN



PACKAGING DATA

FACTORY-ASSEMBLED QUANTITIES

📦 CASE: 75 🚚 PALLET: 1,800

PART QUANTITIES

PART	MINIMUM ORDER	CASE QUANTITY	PALLET QUANTITY
Nozzles	150	2,400	57,600
Deflectors	150	2,400	57,600
Stakes	100	100	2,400
Sprinkler and Stake Assemblies	75	75	1,800

OPERATING RANGE

🔊 Pressure	10–30 psi	0.7–2.1 bar
🚰 Flow Rate	3.7–37.5 g/h	14–142 l/h
🌬️ Throw Distance	3–33 ft	0.9–10.1 m

FILTRATION

150 Mesh: recommended for yellow, orange, blue, and purple nozzle

100 Mesh: recommended for green, red, and white nozzle

HOW TO ORDER

MBJ -
Core Family
Micro Bird Jet

AA -
Deflector (Down x Up)
AA – A x A Pattern DE – D x E Pattern
AC – A x C Pattern EA – E x A Pattern
AE – A x E Pattern ED – E x D Pattern
BC – B x C Pattern EF – E x F Pattern
BE – B x E Pattern EG – E x G Pattern
DC – D x C Pattern

Note: You can specify any combination of deflector patterns. The first letter should indicate which pattern is installed facing down and will run first.

08 -
Nozzle
05 – Yellow, 5 gph / 18.9 l/h
08 – Orange, 8 gph / 30.3 l/h
12 – Blue, 12 gph / 45.4 l/h
14 – Violet, 14 gph / 53.1 l/h
17 – Green, 17 gph / 64.4 l/h
24 – Red, 24 gph / 90.8 l/h
30 – White, 30 gph / 113.6 l/h

036 -
Lead Length
36 – 36", 91.4 cm
Custom lead lengths available. Call for quote.

X
Barb
X – Do not assemble with transfer barb

APPLICATIONS



QUESTIONS?

We're here for you.
1-800-HELLO-AG
agcustomerservice@rainbird.com



rainbird.com/agriculture

® Registered Trademark of Rain Bird Corporation

© 2024 Rain Bird Corporation 11/24