



Rain Bird's Toughest, Most Reliable Brass Valves

Electric remote control valves don't come any better than the Rain Bird EFB-CP Series red brass valves. Featuring a contamination-proof, self-flushing screen that cleans itself and resists debris build-up in dirty water, Rain Bird's EFB-CP Series is your best choice.



Self-Flushing System

- Filter location stops grit and debris before it can enter and clog the system
- Water flow continuously flushes the screen, dislodging particles and debris before they can accumulate
- Contamination-proof bypass tube reliable under dirty conditions



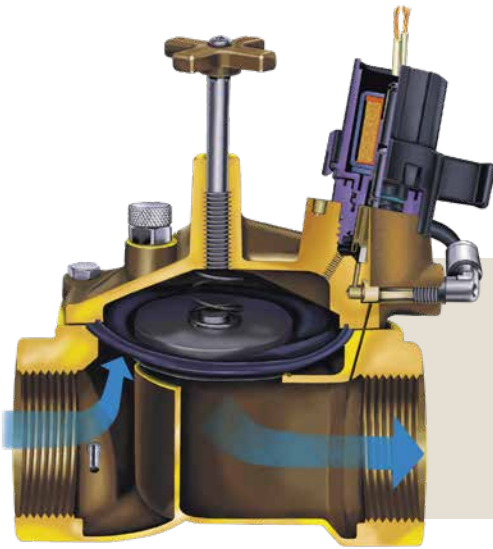
Rugged Durability

- Fluid resistor slows flow through solenoid, reducing closing speed and preventing water hammer
- Designed to handle chlorine and other harsh chemicals found in reclaimed water systems
- Red brass body and bonnet for longer life and optimal performance at 200 psi (13,80 bar)
- Three-year trade warranty

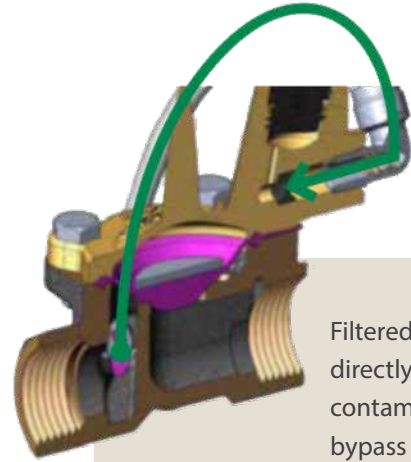


Maximum Convenience

- External bypass flow tube can be removed without disassembling
- Reverse flow feature prevents flooding, water waste and damage in the event of a diaphragm tear
- One-piece solenoid design with captured plunger and spring for stress-free servicing
- Low-power requirement allows for longer wire runs without increased wire gauge



Filter location prevents clogging and water continuously flushes screen.



Filtered water flows directly through the contamination-proof bypass tube.

EFB-CP Series Modules

Product ID	Model	Description
B32553	100EFBCP	ECB-CP-R Series, 1" Electrical Valve 24 VAC
B32853	150EFBCP	EFB-CP-R Series, 1 1/2" Electric Valve 24 VAC
B32953	200EFBCP	EFB-CP-R Series, 2" Electric Valve 24 VAC

Contact your local Rain Bird distributor to learn more about the EFB-CP today!



rainbird.com

Registered Trademark of Rain Bird Corporation

© 2022 Rain Bird Corporation 02/22

D42077