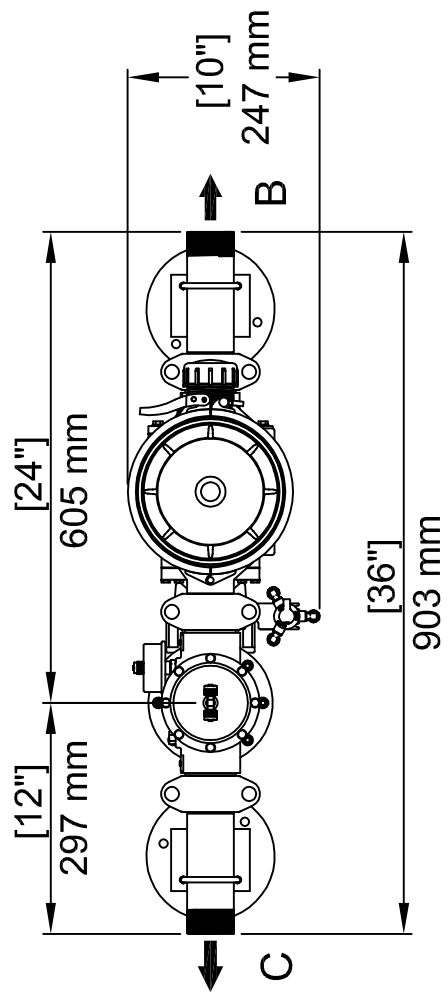


A - 2" PVC Inlet manifold

B - 2" NPT Outlet manifold

C - 2" NPT Drainage manifold



**NOTICE:**  
 THIS DRAWING IS THE PROPERTY OF RAIN-BIRD SYSTEMS, INC. AND IS NOT TO BE REPRODUCED OR TRANSMITTED IN ANY FORM OR BY ANY MEANS, ELECTRONIC OR MECHANICAL, INCLUDING PHOTOCOPYING, RECORDING, OR BY ANY INFORMATION STORAGE AND RETRIEVAL SYSTEM. ANY UNAUTHORIZED REPRODUCTION OR TRANSMISSION OF THIS DRAWING IS STRICTLY PROHIBITED. ALL RIGHTS ARE RESERVED.

UNLESS OTHERWISE SPECIFIED:  
 FRACTIONAL TOLERANCE: ± .01  
 DECIMAL TOLERANCE: ± .005  
 DRILLED HOLE Ø: ± .002  
 ANGULAR: ± 2'  
 DECIMAL TOLERANCE: ± .005  
 DIMENSIONS: PER ANSI Y14.5-2018

DATE: 03/02/23  
 DESIGNED BY: JLD  
 SCALE: 1:1  
 UNITS: IN/MM  
 DO NOT SCALE DRAWING  
 JUST NOTIFIED BY: JLD  
 DATE: 03/02/23  
 DIMENSIONS: PER ANSI Y14.5-2018

**RAIN-BIRD**  
 SYSTEMS, INC.  
 TUCSON, ARIZONA

PROJ. NAME: DISC FILTER ASSEMBLY HDF 1X2/2G  
 PROJ. NO.: GP121010999

352528XX-M1-A  
 PERIOD: 1  
 SHEET 1 OF 1