

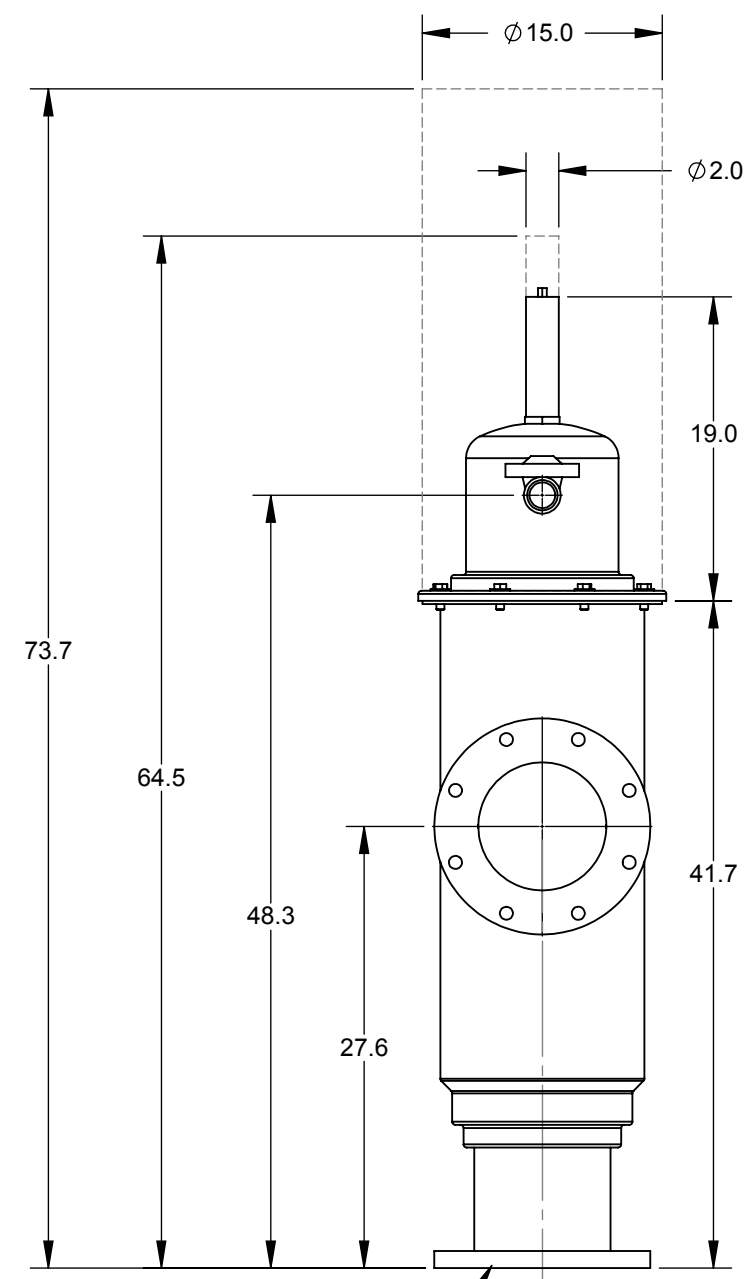
- NOTES:**
- FILTER BODY MATERIAL: CARBON STEEL
 - ALL DIMENSIONS IN INCHES UNLESS INDICATED

LTR.	REL'D DATE	BY	REVISIONS	CHK. DATE	REQUESTOR
------	------------	----	-----------	-----------	-----------

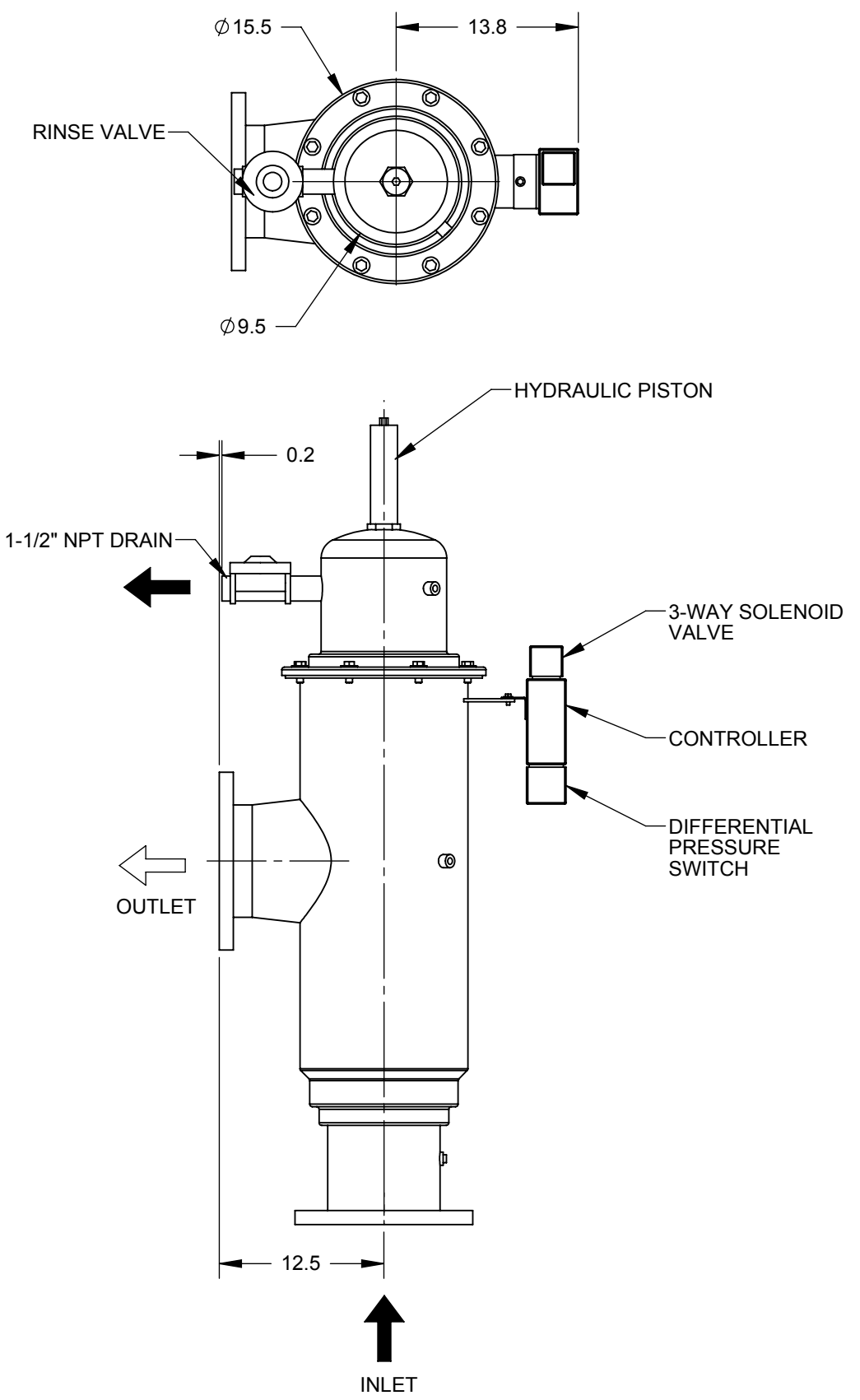
FREE SPACE REQUIRED FOR MAINTENANCE

RAIN BIRD RESERVES THE RIGHT TO MODIFY FILTER DIMENSIONS WITHOUT PRIOR NOTICE

TECHNICAL DATA	
MODEL NO.	HO-G-08-LS-G
MAXIMUM FLOW RATE:	1300 GPM
AVAILABLE SCREEN MICRON SIZES:	300 STD., 200 AND OTHER OPTIONAL
OPEN AREA STANDARD SCREEN:	648 SQ. INCHES
OPEN AREA SINTERED MULTI-LAYERED SCREEN:	972 SQ. INCHES
MAXIMUM WORKING PRESSURE:	150 PSIG
MINIMUM INLET PRESSURE REQUIRED DURING RINSE CYCLE:	30 PSIG
MAXIMUM WORKING TEMPERATURE:	150° F
INLET/OUTLET CONNECTIONS:	8" ANSI 150# RF
DRAIN VALVE CONNECTION:	1-1/2" THREADED (NPT)
DRAIN HEADER SIZE:	2" MINIMUM
APPROX. EMPTY WEIGHT:	290 LBS
APPROX. FULL OF WATER WEIGHT:	475 LBS



2X FLANGE 8" ANSI 150# RF (INLET AND OUTLET)



DO NOT SCALE DRAWING

<p>NOTICE:</p> <p>THIS DRAWING EMBODIES A CONFIDENTIAL PROPRIETARY DESIGN ORIGINATED BY RAIN BIRD CORPORATION. ALL DESIGN, MANUFACTURING, USE AND SALE RIGHTS REGARDING THE SAME ARE EXPRESSLY RESERVED. IT IS SUBMITTED UNDER A CONFIDENTIAL RELATIONSHIP FOR A SPECIFIC PURPOSE AND THE RECIPIENT AGREES BY ACCEPTING THIS DRAWING NOT TO SUPPLY OR DISCLOSE ANY INFORMATION REGARDING IT TO ANY UNAUTHORIZED PERSON, OR TO INCORPORATE IN OTHER PROJECTS ANY SPECIAL FEATURE UNIQUE TO THIS DESIGN. ALL PATENT RIGHTS HERE TO ARE EXPRESSLY RESERVED.</p>		<p>LAST MODIFIED IN VERSION: SolidWorks 2009</p> <p>FILENAME:</p>		<p>UNLESS OTHERWISE SPECIFIED:</p>		<p>DRAWN: AKTIS</p> <p>DATE: 10/13/10</p> <p>DESIGNED: XX</p> <p>DATE: XXXXXX</p> <p>CHECKED: XX</p> <p>DATE: XXXXXX</p> <p>APPR: XX</p> <p>DATE: XXXXXX</p> <p>APPR: XX</p> <p>DATE: XXXXXX</p> <p>RELEASED: XX</p> <p>DATE: XXXXXX</p>		<p>SUPERCEDES:</p> <p>SCALE: 1:12</p> <p>MATERIAL:</p> <p>WT:</p> <p>CALC: xxx</p> <p>ACT: xxx</p>		<p>PARTS LIST</p> <p>RAIN BIRD CORP. SYSTEMS MFG. DIV.</p> <p>TUCSON, ARIZONA</p> <p>DRAWN FOR: RAIN BIRD</p> <p>TITLE: HYDRAULIC SUCTION SCANNER FILTER</p> <p>(POWDER COATED STEEL - FILTER ONLY) 1300 GPM</p>		<p>PROJECT NO.:</p> <p>FIRST USED ON:</p> <p>DRAWING NUMBER: PF08-08-C</p> <p>SIZE: PART NO. REV.</p> <p>SHEET 1 OF 1</p>	
--	--	---	--	------------------------------------	--	--	--	--	--	---	--	---	--

SYMBOLS	
()	REFERENCE
R	RADIUS
SR	SPHERICAL RADIUS
S Ø	SPHERICAL DIAMETER
□	SQUARE