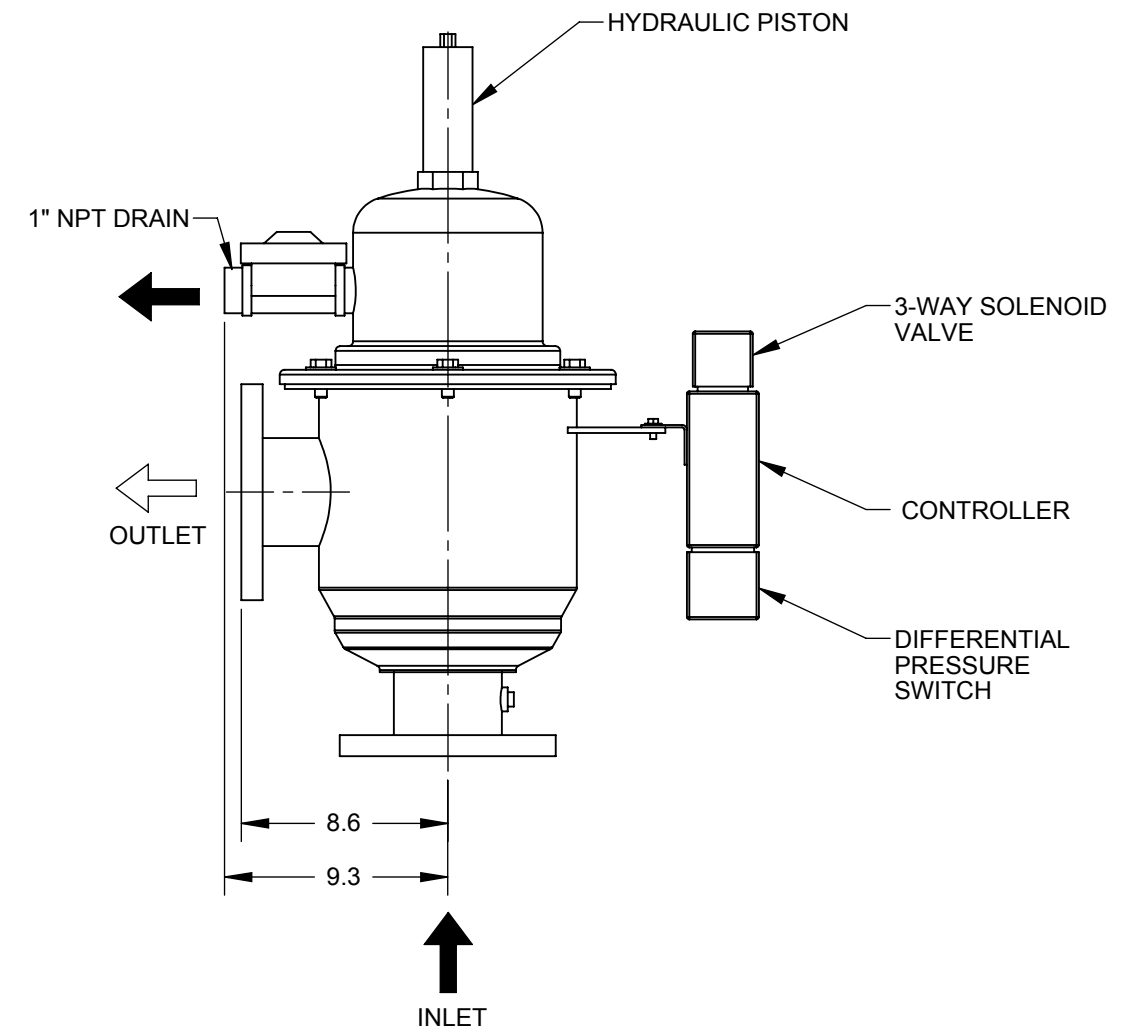
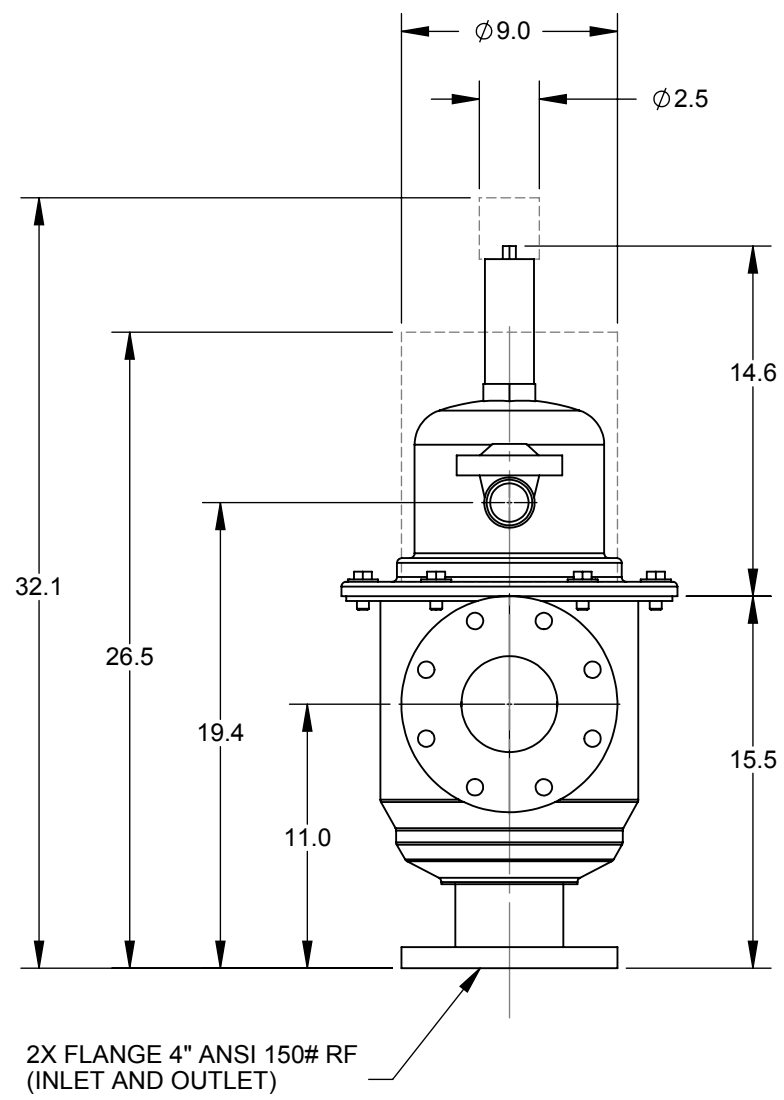
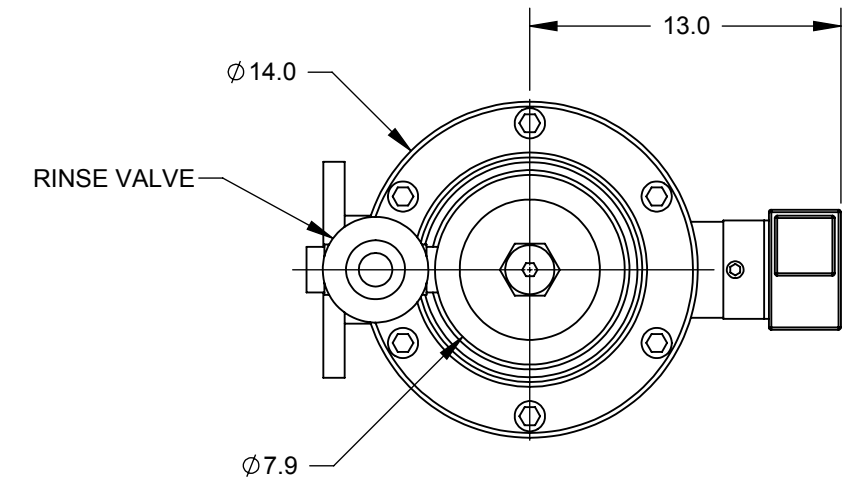


- NOTES:**
- FILTER BODY MATERIAL: CARBON STEEL
 - ALL DIMENSIONS IN INCHES UNLESS INDICATED

LTR.	REL'D DATE	BY	REVISIONS	CHK. DATE	REQUESTOR
------	------------	----	-----------	-----------	-----------



FREE SPACE REQUIRED FOR MAINTENANCE
 RAIN BIRD RESERVES THE RIGHT TO MODIFY FILTER DIMENSIONS WITHOUT PRIOR NOTICE

TECHNICAL DATA

MODEL NO.	HO-G-04-LS-M
MAXIMUM FLOW RATE:	300 GPM
AVAILABLE SCREEN MICRON SIZES:	300 STD., 200 AND OTHER OPTIONAL
OPEN AREA STANDARD SCREEN:	120 SQ. INCHES
OPEN AREA SINTERED MULTI-LAYERED SCREEN:	180 SQ. INCHES
MAXIMUM WORKING PRESSURE:	150 PSIG
MINIMUM INLET PRESSURE REQUIRED DURING RINSE CYCLE:	30 PSIG
MAXIMUM WORKING TEMPERATURE:	150° F
INLET/OUTLET CONNECTIONS:	4" ANSI 150# RF
DRAIN VALVE CONNECTION:	1" THREADED (NPT)
DRAIN HEADER SIZE:	1 - 1/2" MINIMUM
APPROX. EMPTY WEIGHT:	95 LBS
APPROX. FULL OF WATER WEIGHT:	130 LBS

DO NOT SCALE DRAWING

SYMBOLS

() - REFERENCE
R - RADIUS
SR - SPHERICAL RADIUS
S Ø - SPHERICAL DIAMETER
□ - SQUARE

NOTICE:
 THIS DRAWING EMBODIES A CONFIDENTIAL PROPRIETARY DESIGN ORIGINATED BY RAIN BIRD CORPORATION. ALL DESIGN, MANUFACTURING, USE AND SALE RIGHTS REGARDING THE SAME ARE EXPRESSLY RESERVED. IT IS SUBMITTED UNDER A CONFIDENTIAL RELATIONSHIP FOR A SPECIFIC PURPOSE AND THE RECIPIENT AGREES BY ACCEPTING THIS DRAWING NOT TO SUPPLY OR DISCLOSE ANY INFORMATION REGARDING IT TO ANY UNAUTHORIZED PERSON, OR TO INCORPORATE IN OTHER PROJECTS ANY SPECIAL FEATURE UNIQUE TO THIS DESIGN. ALL PATENT RIGHTS HERE TO ARE EXPRESSLY RESERVED.

LAST MODIFIED IN VERSION: SolidWorks 2009	UNLESS OTHERWISE SPECIFIED:	DRAWN AKTIS	DATE 10/13/10	SUPERCEDES
FILENAME:		DESIGNED XX	DATE XX/XX/XX	SCALE 1:8
		CHECKED XX	DATE XX/XX/XX	MATERIAL
		APPR. XX	DATE XX/XX/XX	MOLD NO(S) XXXXXX
		RELEASED XX	DATE XX/XX/XX	WT XXXXXX
NEXT ASSY.	USED ON	DWG SYMBOLS PER ANSI	DATE XX/XX/XX	CALC: XXX ACT: XXX

PARTS LIST		PROJECT NO.	FIRST USED ON
RAIN BIRD CORP. SYSTEMS MFG. DIV. TUCSON, ARIZONA			
DRAWN FOR RAIN BIRD		DRAWING NUMBER CF08-04-C	REV.
TITLE HYDRAULIC SUCTION SCANNER FILTER (POWDER COATED STEEL - FILTER ONLY) - 300 GPM		SIZE	PART NO.
		SHEET 1 OF 1	