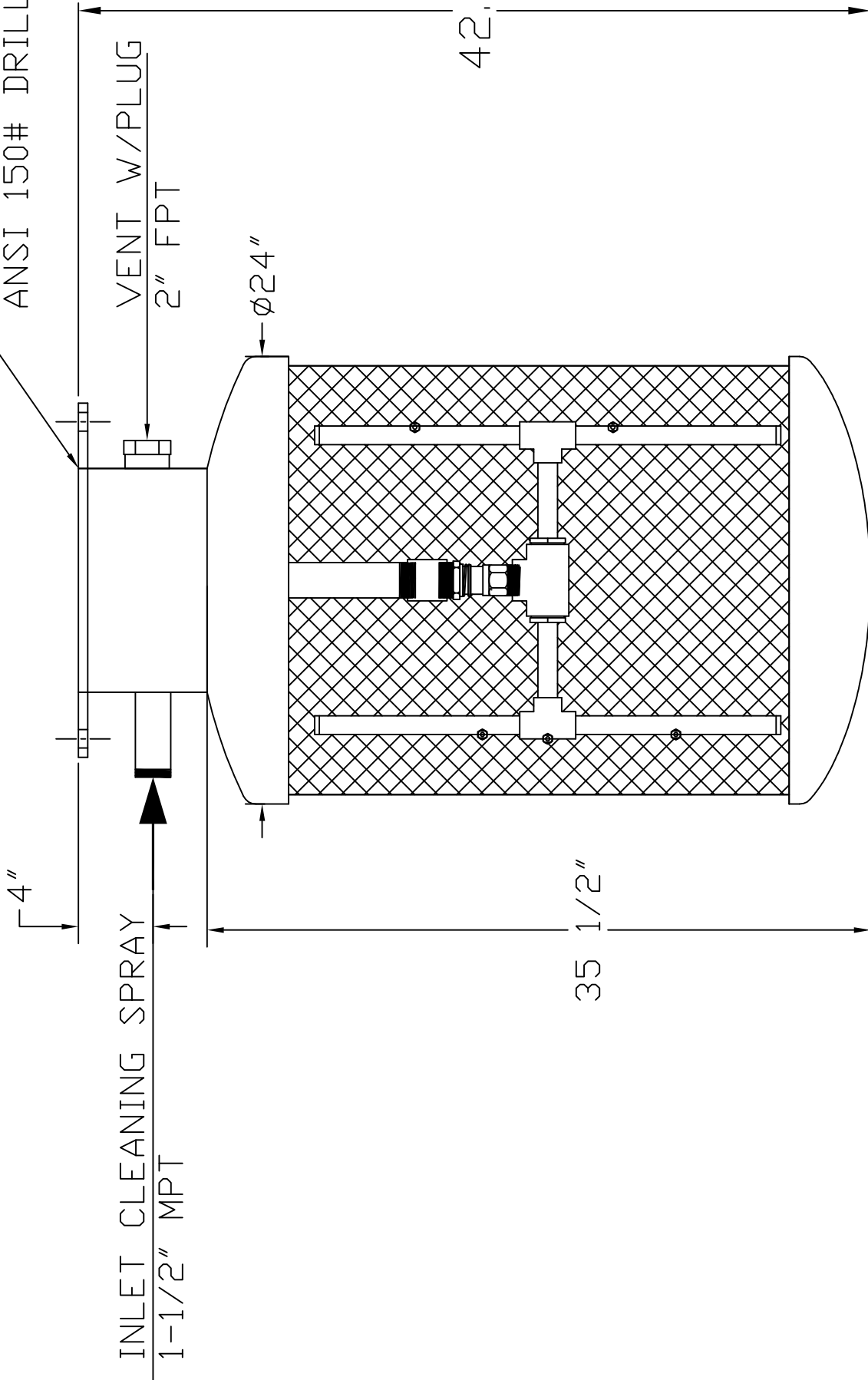


12" PLATE FLANGE
ANSI 150# DRILLING



INLET CLEANING SPRAY
1-1/2" MPT

VENT W/PLUG
2" FPT

Ø24"

42.50

35 1/2"

MODEL	RATED FLOW	MESH
PSS14000	1650 GPM	12
PSS140024	1200 GPM	24

CLEANING SPRAY FLOW
24 GPM @ 55 PSI MIN, 100 PSI MAX

NOTE: DRAWING EMBODIES A CONFIDENTIAL PROPRIETARY DESIGN ORIGINATED BY RAIN BIRD CORPORATION. ALL DESIGN, MANUFACTURING, USE AND SALE RIGHTS REGARDING THE SAME ARE EXPRESSLY RESERVED. IT IS NOT TO BE REPRODUCED, COPIED, REPRODUCED, FOR ANY PURPOSES WITHOUT THE WRITTEN PERMISSION OF RAIN BIRD CORPORATION. RAIN BIRD CORPORATION ACCEPTS NO LIABILITY FOR ANY INFORMATION REGARDING IT TO ANY UNAUTHORIZED PERSON, OR TO INCORPORATE IN OTHER PROJECTS ANY PART OF THE INFORMATION CONTAINED HEREIN. ALL PATENT RIGHTS HERETO ARE EXPRESSLY RESERVED.

UNLESS OTHERWISE SPECIFIED:
FRACTIONAL TOLERANCE ± 1/8"
DRILLED HOLE ± 1/32"
ANGULAR ± 2°
DECIMAL TOLERANCE .XX ± .005

DO NOT SCALE DRAWING
LAST MODIFIED IN VERSION
AUTOCAD 2011
PER ANSII

TITLE
PSS1400
PSS140024

PROJ. NAME
CLEARWATER
SELF-CLEANING
SUCTION SCREEN
DRAWING NUMBER
RBF080
PART NO.
SHEET 1 OF 1

RAIN BIRD
SYSTEMS MFG. DIV.
TUCSON, ARIZONA