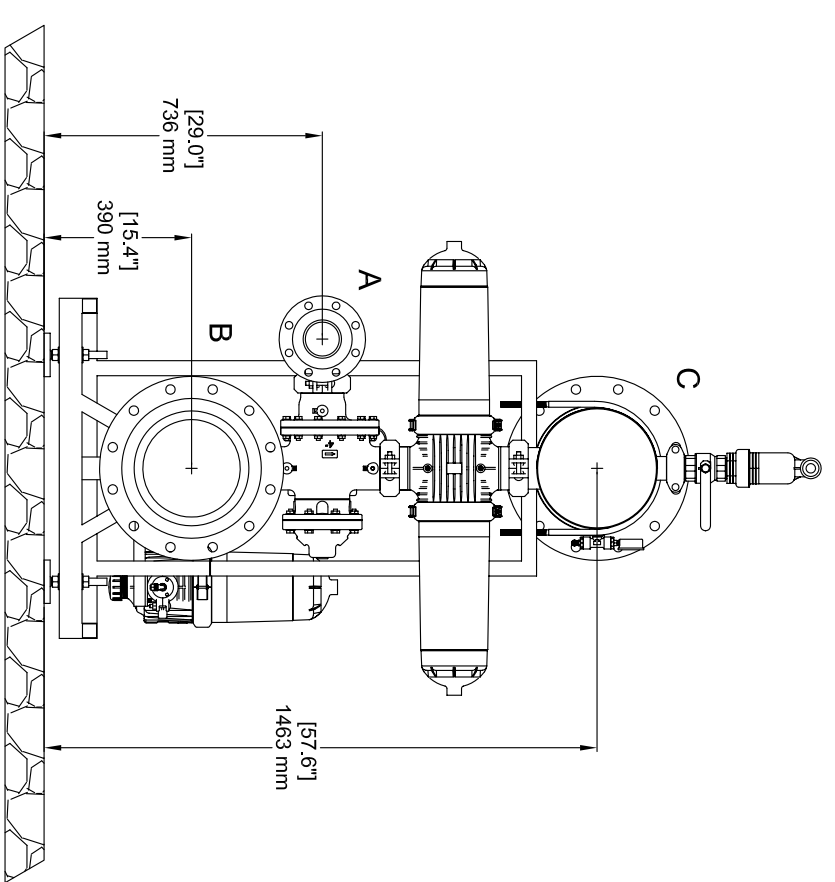
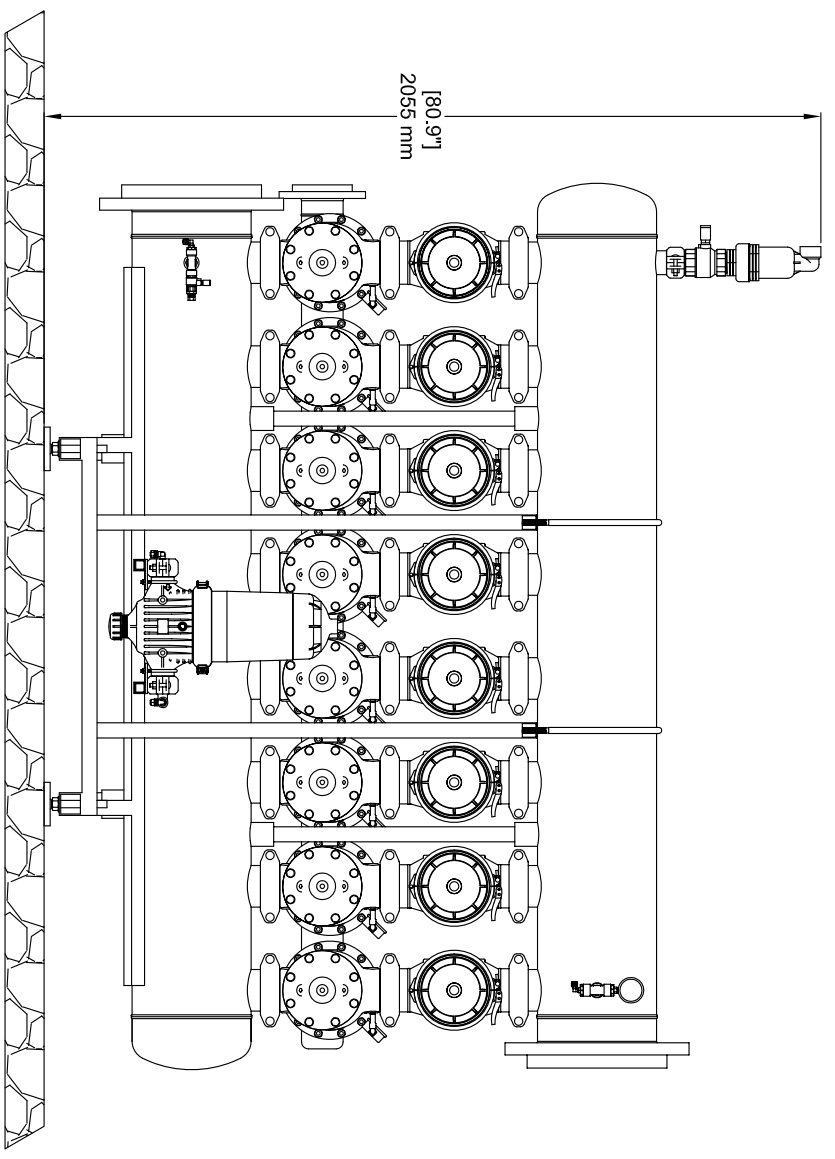


POWER: 460/60/3 V/HZ/PH
TOTAL FLA: xxx A
SERVICE REQ: xxx A
FLOW: xxxx GPM
DISCHARGE PRESSURE: xxx PSI
BOOST PRESSURE: xxx FT.
SUCTION PRESSURE: xxx PSI

NOTE: DRAWING BASED ON
QUOTE #GVT112608304F



- A - 4" Drainage manifold
ANSI Class 150
- B - 12" Inlet manifold
ANSI Class 150
- C - 12" Outlet manifold
ANSI Class 150

SIGN BLOCK FOR PRODUCTION RELEASE

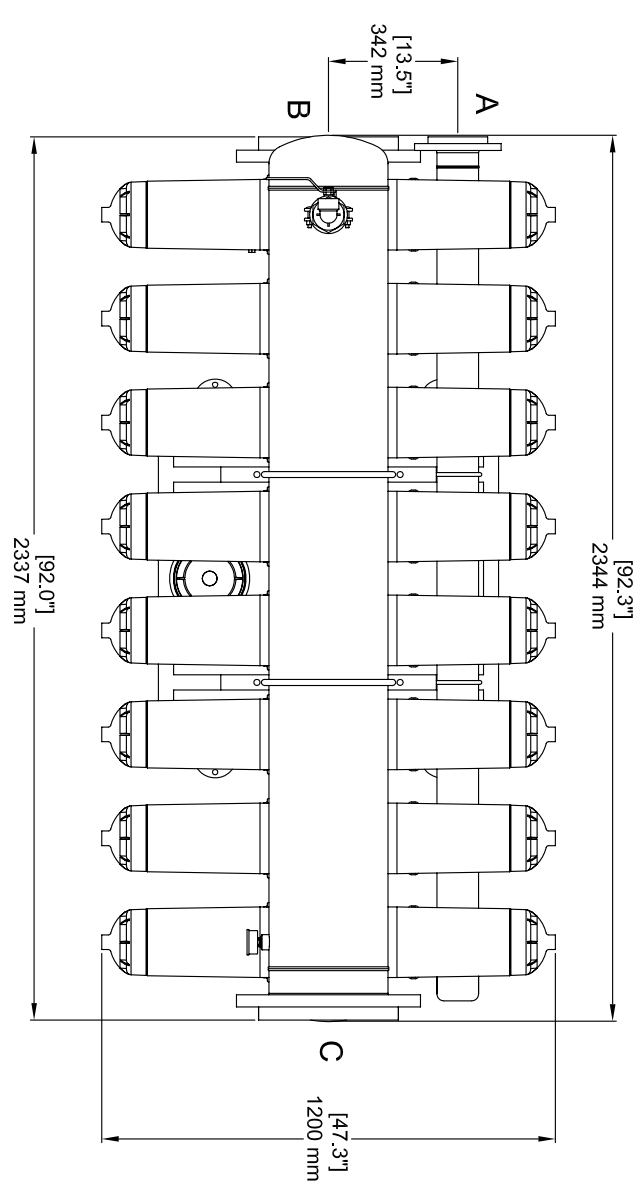
GENERAL ARRANGEMENT APPROVAL (INCLUDING ELECTRICAL REQUIREMENTS)

SIGNATURE _____

DATE _____

TITLE _____

SIGNATURE VERIFIES DRAWING DIMENSIONS MEET SITE REQUIREMENTS AND SCOPE OF THE ABOVE REFERENCED QUOTE. CHANGES AFTER APPROVAL COULD RESULT IN DELIVERY DELAYS AND ADDITIONAL COST.



NOTICE:

THE DRAWING IS THE PROPERTY OF RAINBIRD SYSTEMS INC. AND IS NOT TO BE REPRODUCED OR TRANSMITTED IN ANY FORM OR BY ANY MEANS, ELECTRONIC OR MECHANICAL, INCLUDING PHOTOCOPYING, RECORDING, OR BY ANY INFORMATION STORAGE AND RETRIEVAL SYSTEM. ANY UNAUTHORIZED REPRODUCTION OR TRANSMISSION OF THIS DRAWING IS STRICTLY PROHIBITED. RAINBIRD SYSTEMS INC. SHALL NOT BE RESPONSIBLE FOR ANY DAMAGE OR LOSS OF PROFITS, BUSINESS, OR REPUTATION, OR FOR ANY SPECIAL, CONSEQUENTIAL, OR PUNITIVE DAMAGES, INCLUDING ATTORNEY'S FEES, ARISING FROM THE USE OF THIS DRAWING. ALL DIMENSIONS ARE TO UNLESS OTHERWISE SPECIFIED.

UNLESS OTHERWISE SPECIFIED		DIMENSIONS		SCALE		DATE	
FRAC.	DEC.	INCHES	MILLIMETERS	AS SHOWN	AS SHOWN	DATE	BY
1/16"	1.5	1/8"	3	AS SHOWN	AS SHOWN	9/11/2013	JMS
1/8"	2	1/4"	6	AS SHOWN	AS SHOWN	9/11/2013	JMS
1/4"	3	3/8"	9	AS SHOWN	AS SHOWN	9/11/2013	JMS
3/8"	4	1/2"	12	AS SHOWN	AS SHOWN	9/11/2013	JMS
1/2"	5	5/8"	15	AS SHOWN	AS SHOWN	9/11/2013	JMS
5/8"	6	3/4"	18	AS SHOWN	AS SHOWN	9/11/2013	JMS
3/4"	7	7/8"	21	AS SHOWN	AS SHOWN	9/11/2013	JMS
7/8"	8	1"	25	AS SHOWN	AS SHOWN	9/11/2013	JMS
1"	10	1 1/8"	30	AS SHOWN	AS SHOWN	9/11/2013	JMS
1 1/8"	12	1 1/4"	35	AS SHOWN	AS SHOWN	9/11/2013	JMS
1 1/4"	15	1 3/8"	40	AS SHOWN	AS SHOWN	9/11/2013	JMS
1 3/8"	18	1 3/4"	45	AS SHOWN	AS SHOWN	9/11/2013	JMS
1 3/4"	20	1 7/8"	50	AS SHOWN	AS SHOWN	9/11/2013	JMS
1 7/8"	24	2"	50	AS SHOWN	AS SHOWN	9/11/2013	JMS
2"	30	2 1/8"	55	AS SHOWN	AS SHOWN	9/11/2013	JMS
2 1/8"	36	2 1/4"	60	AS SHOWN	AS SHOWN	9/11/2013	JMS
2 1/4"	45	2 3/8"	65	AS SHOWN	AS SHOWN	9/11/2013	JMS
2 3/8"	54	2 3/4"	70	AS SHOWN	AS SHOWN	9/11/2013	JMS
2 3/4"	60	2 7/8"	75	AS SHOWN	AS SHOWN	9/11/2013	JMS
2 7/8"	72	3"	75	AS SHOWN	AS SHOWN	9/11/2013	JMS
3"	90	3 1/8"	80	AS SHOWN	AS SHOWN	9/11/2013	JMS
3 1/8"	108	3 1/4"	85	AS SHOWN	AS SHOWN	9/11/2013	JMS
3 1/4"	135	3 3/8"	90	AS SHOWN	AS SHOWN	9/11/2013	JMS
3 3/8"	162	3 3/4"	95	AS SHOWN	AS SHOWN	9/11/2013	JMS
3 3/4"	180	3 7/8"	100	AS SHOWN	AS SHOWN	9/11/2013	JMS
3 7/8"	216	4"	100	AS SHOWN	AS SHOWN	9/11/2013	JMS
4"	270	4 1/8"	105	AS SHOWN	AS SHOWN	9/11/2013	JMS
4 1/8"	324	4 1/4"	110	AS SHOWN	AS SHOWN	9/11/2013	JMS
4 1/4"	360	4 3/8"	115	AS SHOWN	AS SHOWN	9/11/2013	JMS
4 3/8"	432	4 3/4"	120	AS SHOWN	AS SHOWN	9/11/2013	JMS
4 3/4"	504	4 7/8"	125	AS SHOWN	AS SHOWN	9/11/2013	JMS
4 7/8"	540	5"	125	AS SHOWN	AS SHOWN	9/11/2013	JMS
5"	648	5 1/8"	130	AS SHOWN	AS SHOWN	9/11/2013	JMS
5 1/8"	756	5 1/4"	135	AS SHOWN	AS SHOWN	9/11/2013	JMS
5 1/4"	810	5 3/8"	140	AS SHOWN	AS SHOWN	9/11/2013	JMS
5 3/8"	900	5 3/4"	145	AS SHOWN	AS SHOWN	9/11/2013	JMS
5 3/4"	1080	5 7/8"	150	AS SHOWN	AS SHOWN	9/11/2013	JMS
5 7/8"	1260	6"	150	AS SHOWN	AS SHOWN	9/11/2013	JMS
6"	1512	6 1/8"	155	AS SHOWN	AS SHOWN	9/11/2013	JMS
6 1/8"	1800	6 1/4"	160	AS SHOWN	AS SHOWN	9/11/2013	JMS
6 1/4"	2025	6 3/8"	165	AS SHOWN	AS SHOWN	9/11/2013	JMS
6 3/8"	2250	6 3/4"	170	AS SHOWN	AS SHOWN	9/11/2013	JMS
6 3/4"	2700	6 7/8"	175	AS SHOWN	AS SHOWN	9/11/2013	JMS
6 7/8"	3060	7"	175	AS SHOWN	AS SHOWN	9/11/2013	JMS
7"	3600	7 1/8"	180	AS SHOWN	AS SHOWN	9/11/2013	JMS
7 1/8"	4050	7 1/4"	185	AS SHOWN	AS SHOWN	9/11/2013	JMS
7 1/4"	4500	7 3/8"	190	AS SHOWN	AS SHOWN	9/11/2013	JMS
7 3/8"	5040	7 3/4"	195	AS SHOWN	AS SHOWN	9/11/2013	JMS
7 3/4"	5400	7 7/8"	200	AS SHOWN	AS SHOWN	9/11/2013	JMS
7 7/8"	6480	8"	200	AS SHOWN	AS SHOWN	9/11/2013	JMS
8"	7560	8 1/8"	205	AS SHOWN	AS SHOWN	9/11/2013	JMS
8 1/8"	8100	8 1/4"	210	AS SHOWN	AS SHOWN	9/11/2013	JMS
8 1/4"	9000	8 3/8"	215	AS SHOWN	AS SHOWN	9/11/2013	JMS
8 3/8"	10080	8 3/4"	220	AS SHOWN	AS SHOWN	9/11/2013	JMS
8 3/4"	10800	8 7/8"	225	AS SHOWN	AS SHOWN	9/11/2013	JMS
8 7/8"	12600	9"	225	AS SHOWN	AS SHOWN	9/11/2013	JMS

RAINBIRD
SYSTEMS INC. CA
TULSON, ARIZONA

DISC FILTER ASSY HDF 8X4/12F
352252XXX-M1-A
SHEET 1 OF 1

