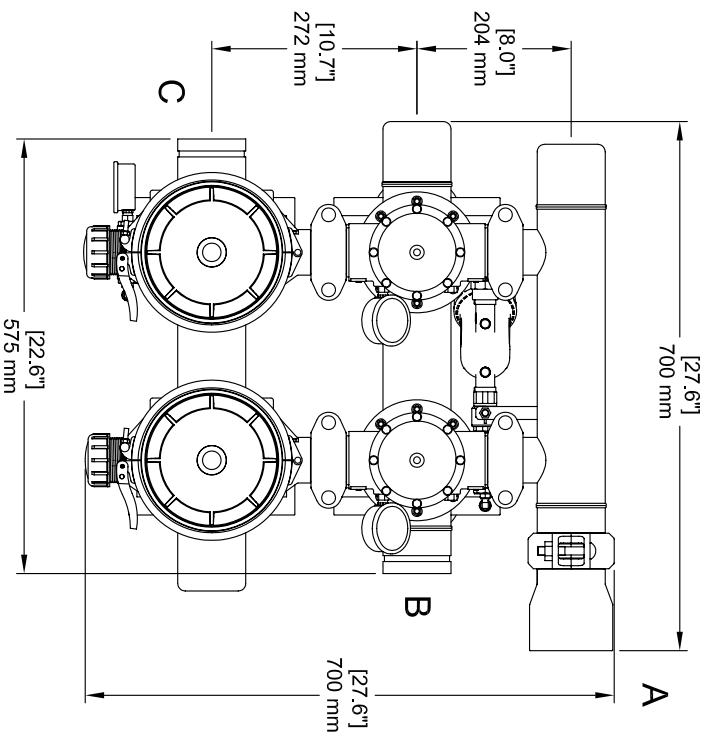
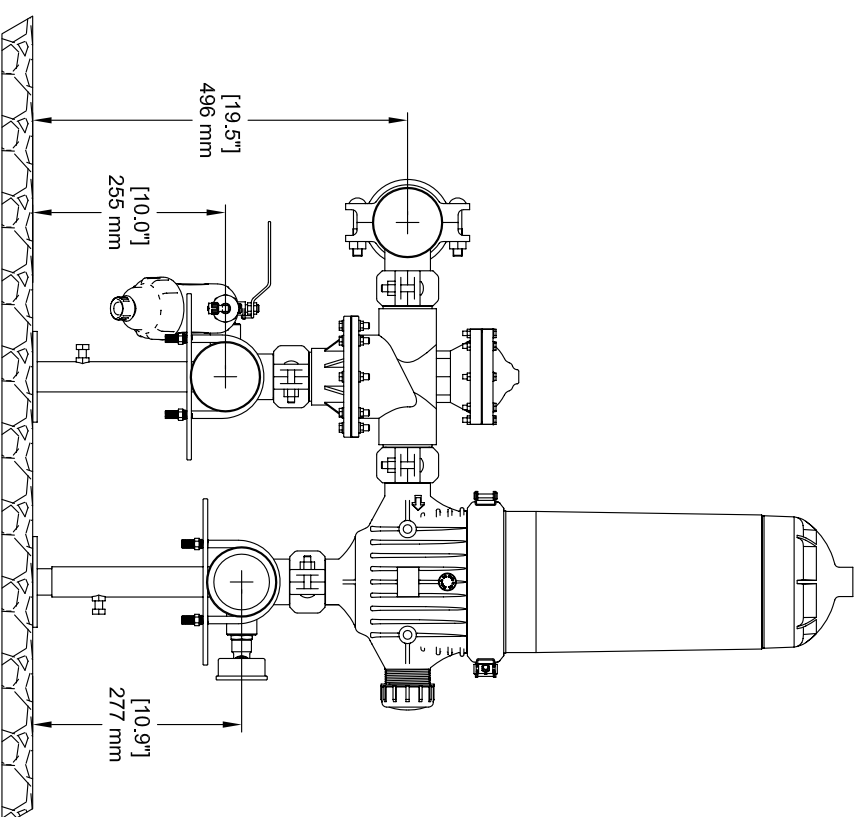
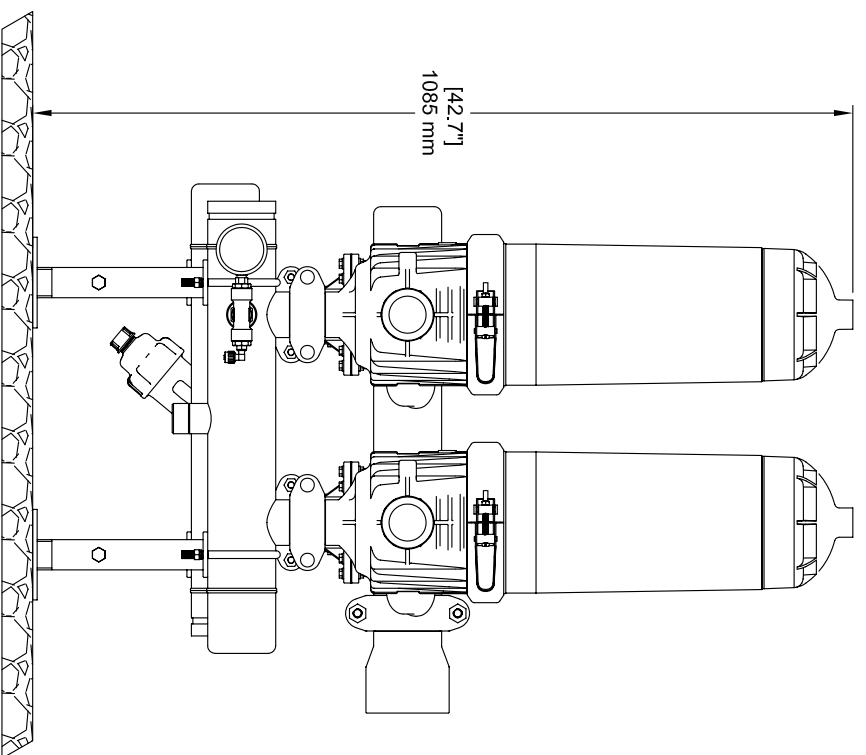


POWER: 460/60/3 VHZ/PH  
TOTAL FLA: xxx A  
SERVICE REQ: xxx A  
FLOW: xxx GPM  
DISCHARGE PRESSURE: xxx PSI  
BOOST PRESSURE: xxx FT.  
SUCTION PRESSURE: xxx PSI

NOTE: DRAWING BASED ON  
QUOTE #6V7112608304F



A - 3" Drainage manifold  
B - 3" Inlet manifold  
C - 3" Outlet manifold

SIGN BLOCK FOR PRODUCTION RELEASE

GENERAL ARRANGEMENT APPROVAL (INCLUDING ELECTRICAL REQUIREMENTS)

SIGNATURE \_\_\_\_\_

DATE \_\_\_\_\_

TITLE \_\_\_\_\_

SIGNATURE VERIFIES DRAWING DIMENSIONS MEET SITE REQUIREMENTS AND SCOPE OF THE ABOVE REFERENCED QUOTE. CHANGES AFTER APPROVAL COULD RESULT IN DELIVERY DELAYS AND ADDITIONAL COST.

<b>NOTICE:</b>		<b>UNLESS OTHERWISE SPECIFIED:</b>	
THE DRAWING ENGINEER'S, CONTRACTOR, REPRESENTATIVE, OR CONSULTANT'S LIABILITY IS LIMITED TO THE DESIGN AND CONSTRUCTION OF THE SYSTEMS AND EQUIPMENT DESCRIBED IN THIS DRAWING. THE USER OF THIS DRAWING SHALL BE RESPONSIBLE FOR OBTAINING ALL NECESSARY PERMITS AND APPROVALS FROM THE APPROPRIATE AUTHORITIES. THE USER SHALL BE RESPONSIBLE FOR OBTAINING ALL NECESSARY INFORMATION FROM THE FIELD TO VERIFY THE ACCURACY OF THE INFORMATION PROVIDED TO THE DRAWING ENGINEER. THE USER SHALL BE RESPONSIBLE FOR OBTAINING ALL NECESSARY INFORMATION FROM THE FIELD TO VERIFY THE ACCURACY OF THE INFORMATION PROVIDED TO THE DRAWING ENGINEER.		DRAWING DATE: 3/10/2013	
PROJECT: DISC FILTER ASSY HDF 2X2/3G	SCALE: 1/8" = 1'-0"	DATE: 3/10/2013	PROJECT NO: GP12/2100989
DRAWN BY: [Name]	TOLERANCE: ± 1/16"	DESIGNED BY: [Name]	PROJECT NO: GP12/2100989
CHECKED BY: [Name]	SCALE: 1/8"	DATE: 3/10/2013	PROJECT NO: GP12/2100989
APPROVED BY: [Name]	ANGLE: ± 1/2°	DATE: 3/10/2013	PROJECT NO: GP12/2100989
	TOLERANCE: ± 0.005"	DATE: 3/10/2013	PROJECT NO: GP12/2100989



DISC FILTER ASSY HDF 2X2/3G

352252XXX-M1-A  
SHEET 1 OF 1