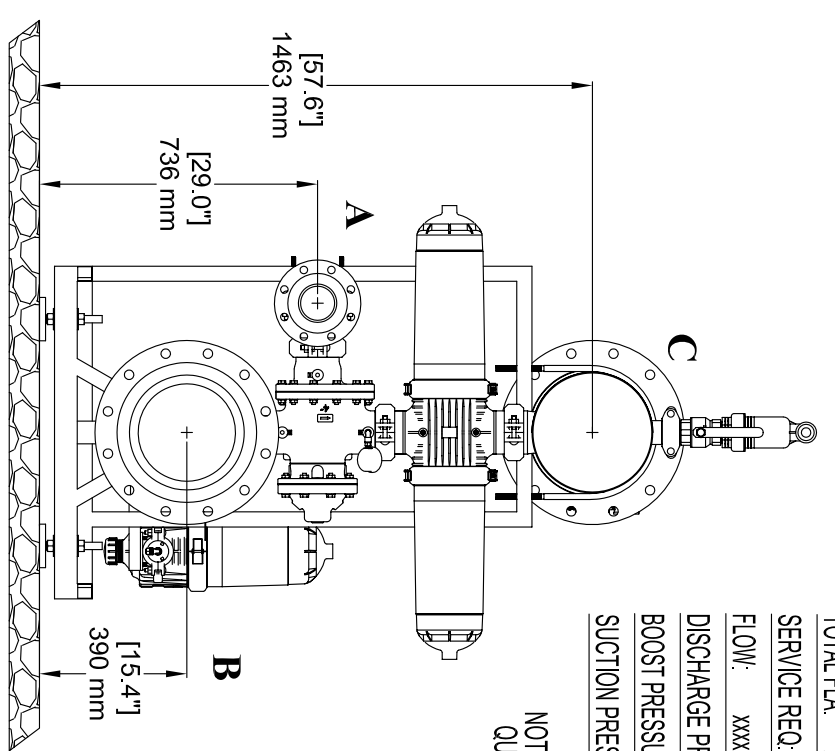
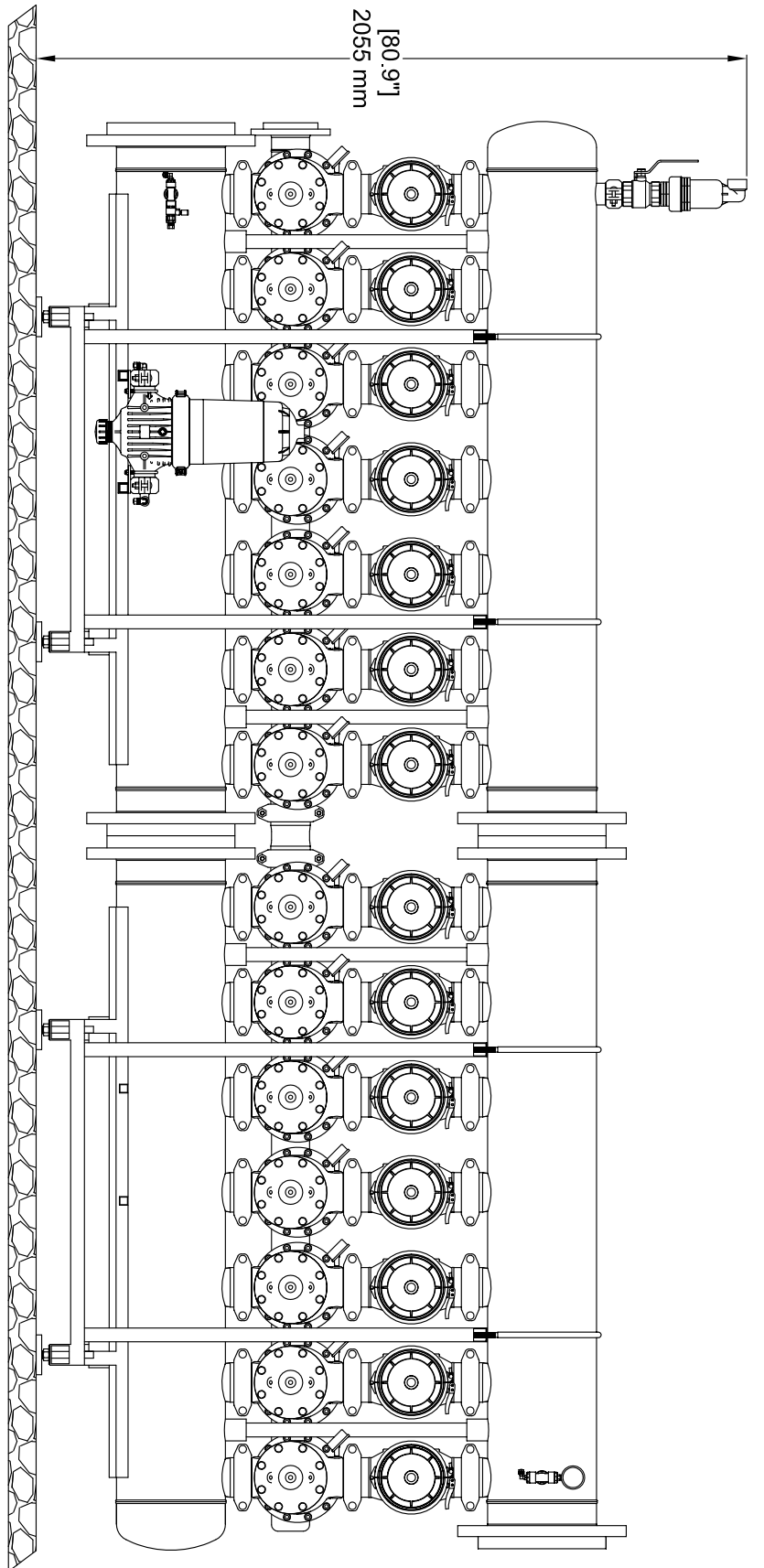
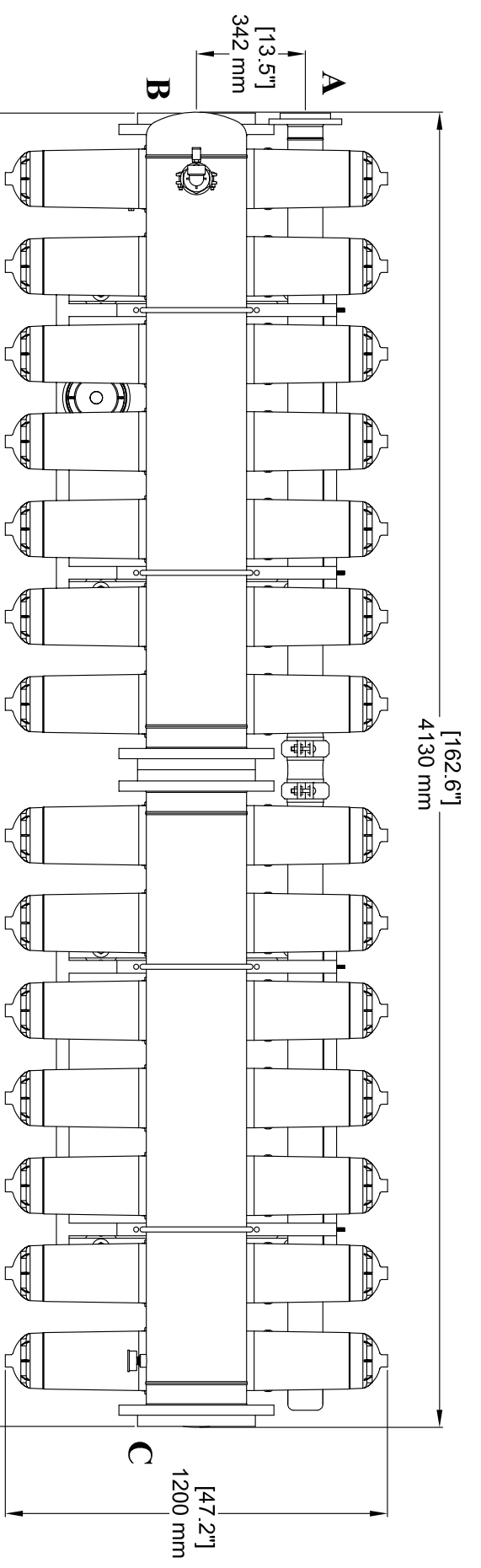


APPROVAL DRAWING
9/10/2013



POWER: 460/60/3 V/HZ/PH
TOTAL FLA: xxx A
SERVICE REQ: xxx A
FLOW: xxx GPM
DISCHARGE PRESSURE: xxx PSI
BOOST PRESSURE: xxx FT.
SUCTION PRESSURE: xxx PSI

NOTE: DRAWING BASED ON
QUOTE #GVT112608304F



[162.4"]
4124 mm

GENERAL ARRANGEMENT APPROVAL (INCLUDING ELECTRICAL REQUIREMENTS)
SIGNATURE _____
DATE _____
TITLE _____
SIGNATURE VERIFIES DRAWING DIMENSIONS MEET SITE REQUIREMENTS
AND SCOPE OF THE ABOVE REFERENCED QUOTE. CHANGES AFTER APPROVAL
COULD RESULT IN DELIVERY DELAYS AND ADDITIONAL COST.

SIGN BLOCK FOR PRODUCTION RELEASE

- A - 4" Drainage manifold
ANSI Class 150
- B - 12" Inlet manifold
ANSI Class 150
- C - 12" Outlet manifold
ANSI Class 150

NOTICE:

THE DRAWING ENGINEER'S PROFESSIONAL RESPONSIBILITY IS LIMITED TO THE DESIGN AND CONSTRUCTION OF THE FILTER ASSEMBLY. THE DRAWING ENGINEER DOES NOT WARRANT ANY PERFORMANCE OF THE FILTER ASSEMBLY UNDER ANY OTHER CONDITIONS. THE USER OF THIS DRAWING ASSUMES ALL RESPONSIBILITY FOR THE DESIGN, CONSTRUCTION AND OPERATION OF THE FILTER ASSEMBLY. THE DRAWING ENGINEER DOES NOT WARRANT ANY PERFORMANCE OF THE FILTER ASSEMBLY UNDER ANY OTHER CONDITIONS.

UNLESS OTHERWISE SPECIFIED

UNIT	SCALE	DATE
FRAC	1" = 10'	9/10/2013
INCH	1" = 10'	9/10/2013
FEET	1" = 10'	9/10/2013

DESIGNED BY: J. BIRD
CHECKED BY: J. BIRD
DATE: 9/10/2013
SCALE: AS SHOWN
APP'D: J. BIRD
DATE: 9/10/2013
SCALE: AS SHOWN

PROJECT: DISC FILTER ASSY HDF 14X4/2F
DRAWING NO: GPT123100899

RAIN-BIRD
SYSTEMS INC. DIV.
TULSON, ARIZONA

TITLE: DISC FILTER ASSY HDF 14X4/2F

PRINTED AT: RAIN-BIRD
DRAWING NO: 352252XXX-M1-A
SHEET NO: 1 OF 1

A B C D E F 8 7 6 5 4 3 2 1