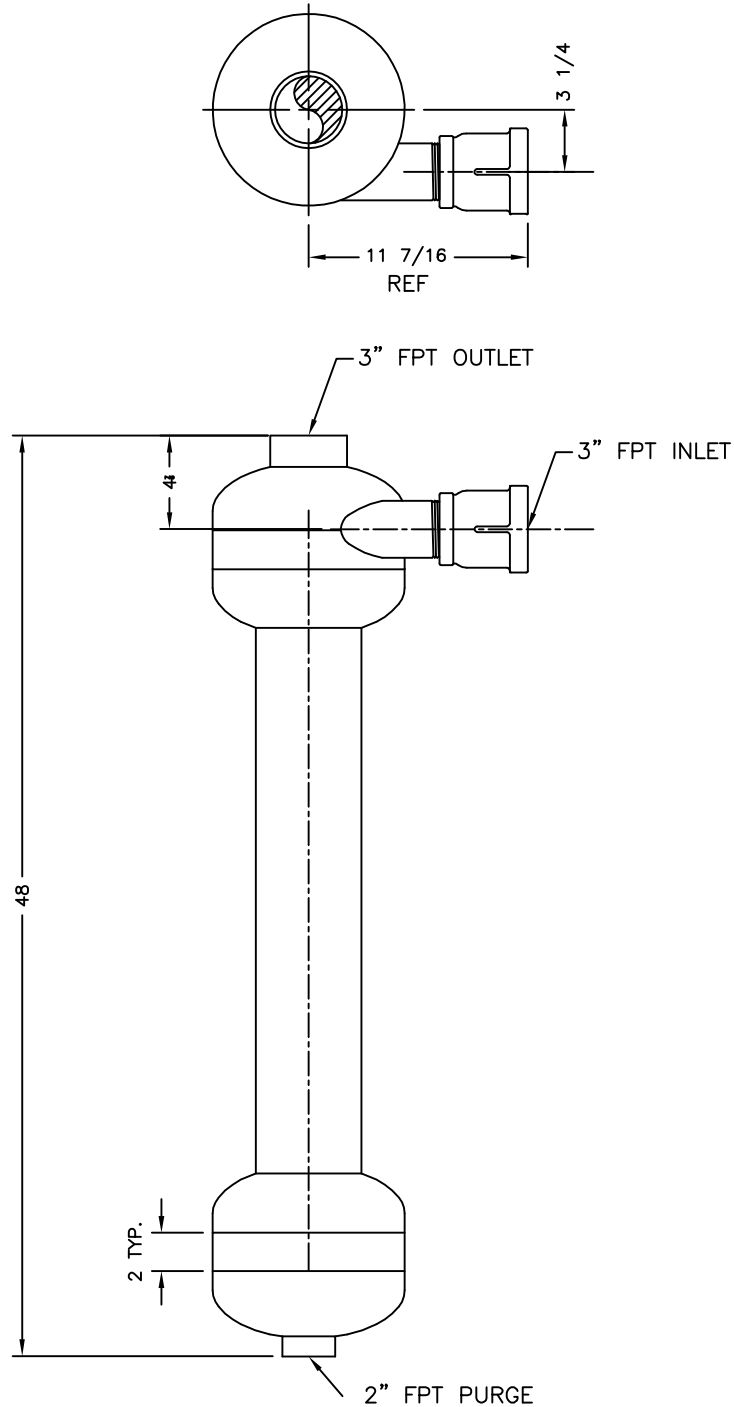


# VCS-R30V SEPARATOR



FLOW RATE: 125 – 260 GPM.  
 PRESSURE RATING: 150 PSI.  
 SHIPPING WEIGHT: 120 LBS.

**NOTICE:**

THIS DRAWING EMBODIES A CONFIDENTIAL PROPRIETARY DESIGN ORIGINATED BY RAIN BIRD CORPORATION. ALL DESIGN, MANUFACTURING, USE AND SALE RIGHTS REGARDING THE SAME ARE EXPRESSLY RESERVED. IT IS SUBMITTED UNDER A CONFIDENTIAL RELATIONSHIP FOR A SPECIFIC PURPOSE AND THE RECIPIENT AGREES BY ACCEPTING THIS DRAWING NOT TO SUPPLY OR DISCLOSE ANY INFORMATION REGARDING IT TO ANY UNAUTHORIZED PERSON, OR TO INCORPORATE IN OTHER PROJECTS ANY SPECIAL FEATURE UNIQUE TO THIS DESIGN. ALL PATENT RIGHTS HERETO ARE EXPRESSLY RESERVED.

UNLESS OTHERWISE SPECIFIED:

FRACTIONAL TOLERANCE	± = 1/8"
DRILLED HOLE Ø	± = 1/32"
ANGULAR	± = 2'
DECIMAL TOLERANCE	.x = ± .100" .xx = ± .080" .xxx = ± .010"

DRAWN	RLS	DATE	01/20/11
DESIGNED	SB	DATE	09/06/10
SCALE	1:32		
DO NOT SCALE DRAWING			
LAST MODIFIED IN VERSION: AutoCAD 2011			
DWG SYMBOLS PER ANSI			

**RAIN BIRD**  
 SYSTEMS MFG. DIV.  
 TUCSON, ARIZONA

PROJ. NAME  
 CENTRIFUGAL SAND SEPARATORS

PROJ. NO.	DRAWING NUMBER	REV.
	RBF057	A
	PART NO.	
SHEET 1 OF 1		

TITLE  
 VCS-R30V  
 SEPARATOR