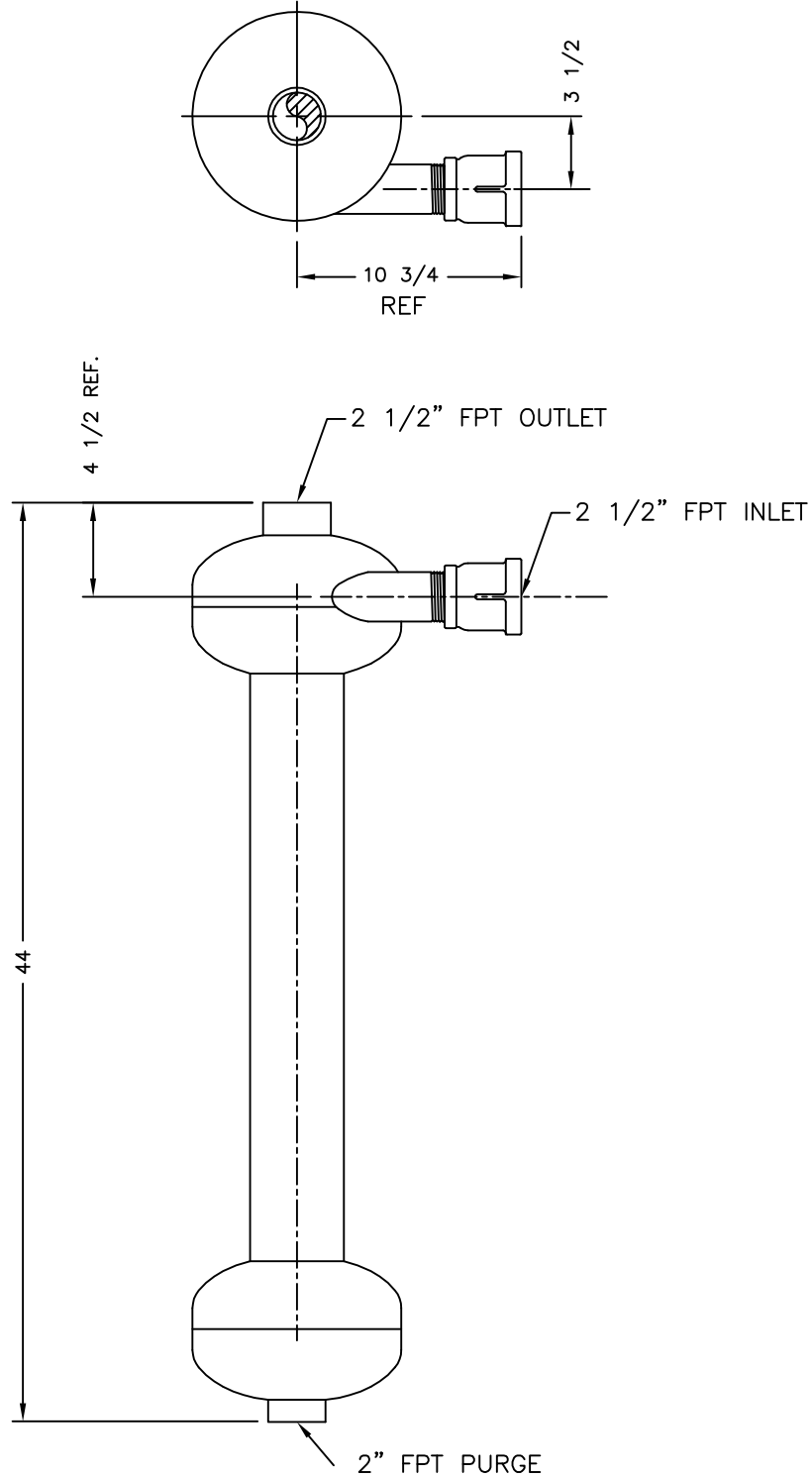


# VCS-R25V SEPARATOR



FLOW RATE: 100 – 180 GPM.  
 PRESSURE RATING: 150 PSI.  
 SHIPPING WEIGHT: 55 LBS.

**NOTICE:**  
 THIS DRAWING EMBODIES A CONFIDENTIAL PROPRIETARY DESIGN ORIGINATED BY RAIN BIRD CORPORATION. ALL DESIGN, MANUFACTURING, USE AND SALE RIGHTS REGARDING THE SAME ARE EXPRESSLY RESERVED. IT IS SUBMITTED UNDER A CONFIDENTIAL RELATIONSHIP FOR A SPECIFIC PURPOSE AND THE RECIPIENT AGREES BY ACCEPTING THIS DRAWING NOT TO SUPPLY OR DISCLOSE ANY INFORMATION REGARDING IT TO ANY UNAUTHORIZED PERSON, OR TO INCORPORATE IN OTHER PROJECTS ANY SPECIAL FEATURE UNIQUE TO THIS DESIGN. ALL PATENT RIGHTS HERETO ARE EXPRESSLY RESERVED.

UNLESS OTHERWISE SPECIFIED:  
 FRACTIONAL TOLERANCE  $\pm = 1/8"$   
 DRILLED HOLE  $\pm = 1/32"$   
 ANGULAR  $\pm = 2'$   
 DECIMAL TOLERANCE  
 .x =  $\pm .100"$   
 .xx =  $\pm .080"$   
 .xxx =  $\pm .010"$

DRAWN	DATE
RLS	01/20/11
DESIGNED	DATE
SB	09/06/10
SCALE	1:32
DO NOT SCALE DRAWING	
LAST MODIFIED IN VERSION: AutoCAD 2011	
DWG SYMBOLS PER ANSI	

**RAIN BIRD**  
 SYSTEMS MFG. DIV.  
 TUCSON, ARIZONA

TITLE  
**VCS-R25V  
 SEPARATOR**

PROJ. NAME	CENTRIFUGAL SAND SEPARATORS	
PROJ. NO.		
DRAWING NUMBER	RBF056	A
PART NO.		REV.
SHEET 1 OF 1		