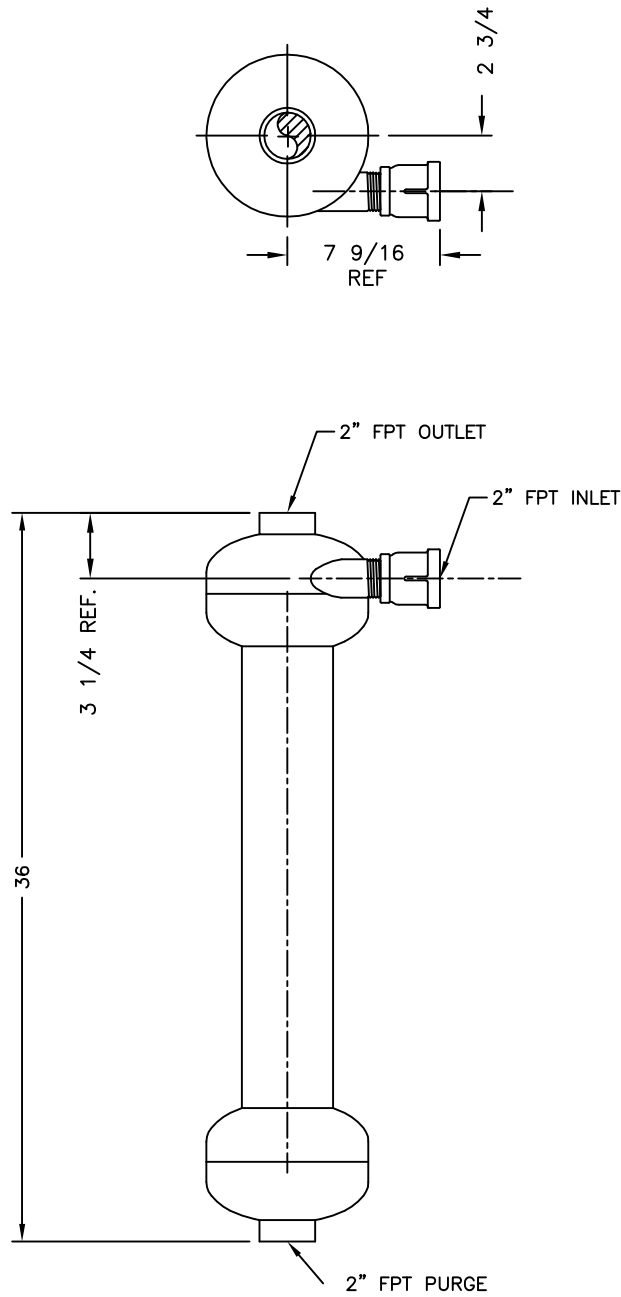



VCS-R20V SEPARATOR



FLOW RATE: 63 – 120 GPM.
 PRESSURE RATING: 150 PSI.
 SHIPPING WEIGHT: 44 LBS.

NOTICE: THIS DRAWING EMBODIES A CONFIDENTIAL PROPRIETARY DESIGN ORIGINATED BY RAIN BIRD CORPORATION. ALL DESIGN, MANUFACTURING, USE AND SALE RIGHTS REGARDING THE SAME ARE EXPRESSLY RESERVED. IT IS SUBMITTED UNDER A CONFIDENTIAL RELATIONSHIP FOR A SPECIFIC PURPOSE AND THE RECIPIENT AGREES BY ACCEPTING THIS DRAWING NOT TO SUPPLY OR DISCLOSE ANY INFORMATION REGARDING IT TO ANY UNAUTHORIZED PERSON, OR TO INCORPORATE IN OTHER PROJECTS ANY SPECIAL FEATURE UNIQUE TO THIS DESIGN. ALL PATENT RIGHTS HERETO ARE EXPRESSLY RESERVED.	UNLESS OTHERWISE SPECIFIED: FRACTIONAL TOLERANCE ± = 1/8" DRILLED HOLE Ø ± = 1/32" ANGULAR ± = 2° DECIMAL TOLERANCE .x = ± .100" .xx = ± .060" .xxx = ± .010"	DRAWN RLS	DATE 01/20/11	 SYSTEMS MFG. DIV. TUCSON, ARIZONA	PROJ. NAME CENTRIFUGAL SAND SEPARATORS
		DESIGNED SB	DATE 09/06/10		PROJ. NO.
		SCALE 1:32	DO NOT SCALE DRAWING		DRAWING NUMBER RBF055 A
		LAST MODIFIED IN VERSION: AutoCAD 2011	TITLE VCS-R20V SEPARATOR		PART NO. REV.
	DWG SYMBOLS PER ANSI			SHEET 1 OF 1	