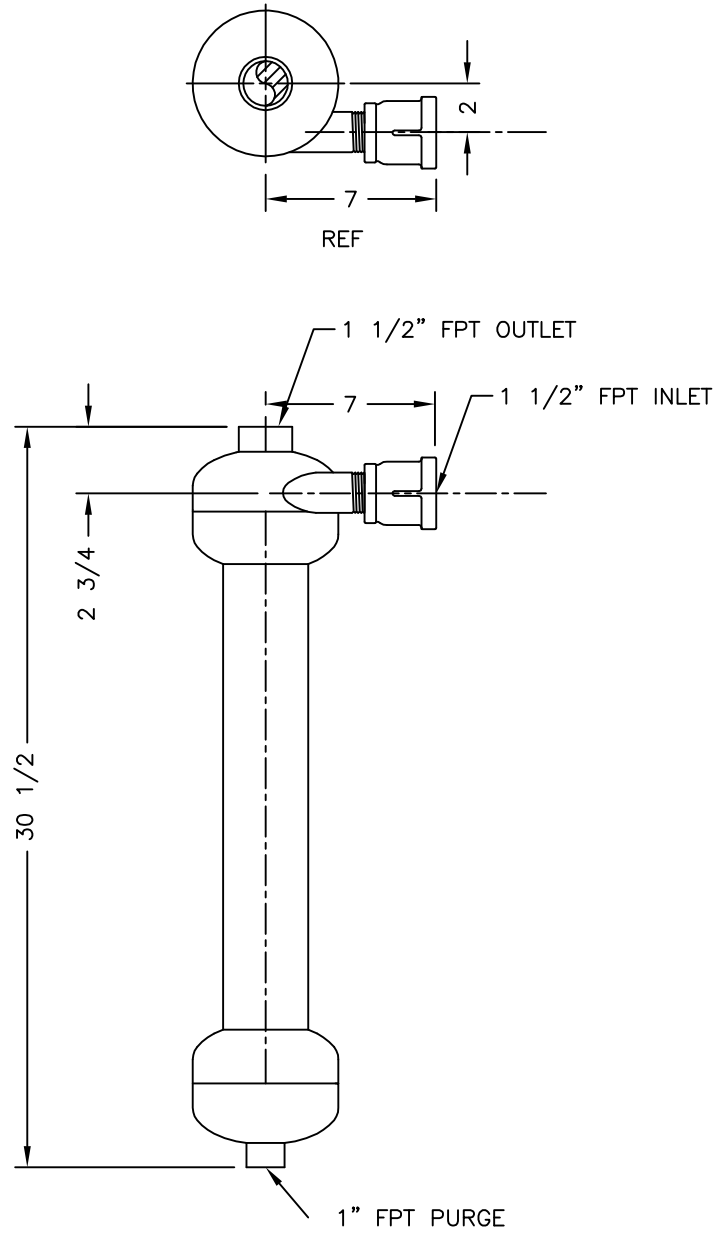


VCS-R15V SEPARATOR



FLOW RATE: 38 – 79 GPM.
 PRESSURE RATING: 150 PSI.
 SHIPPING WEIGHT: 26 LBS.

NOTICE:

THIS DRAWING EMBODIES A CONFIDENTIAL PROPRIETARY DESIGN ORIGINATED BY RAIN BIRD CORPORATION. ALL DESIGN, MANUFACTURING, USE AND SALE RIGHTS REGARDING THE SAME ARE EXPRESSLY RESERVED. IT IS SUBMITTED UNDER A CONFIDENTIAL RELATIONSHIP FOR A SPECIFIC PURPOSE AND THE RECIPIENT AGREES BY ACCEPTING THIS DRAWING NOT TO SUPPLY OR DISCLOSE ANY INFORMATION REGARDING IT TO ANY UNAUTHORIZED PERSON, OR TO INCORPORATE IN OTHER PROJECTS ANY SPECIAL FEATURE UNIQUE TO THIS DESIGN. ALL PATENT RIGHTS HERETO ARE EXPRESSLY RESERVED.

UNLESS OTHERWISE SPECIFIED:

FRACTIONAL TOLERANCE	± = 1/8"
DRILLED HOLE Ø	± = 1/32"
ANGULAR	± = 2°
DECIMAL TOLERANCE	.x = ± .100" .xx = ± .060" .xxx = ± .010"

DRAWN	RLS	DATE	01/20/11
DESIGNED	SB	DATE	09/06/10
SCALE	1:32		
DO NOT SCALE DRAWING			
LAST MODIFIED IN VERSION: AutoCAD 2011			
DWG SYMBOLS PER ANSI			



TITLE
**VCS-R15V
 SEPARATOR**

PROJ. NAME		CENTRIFUGAL SAND SEPARATORS	
PROJ. NO.			
DRAWING NUMBER		RBF054	A
PART NO.	REV.		
SHEET 1 OF 1			