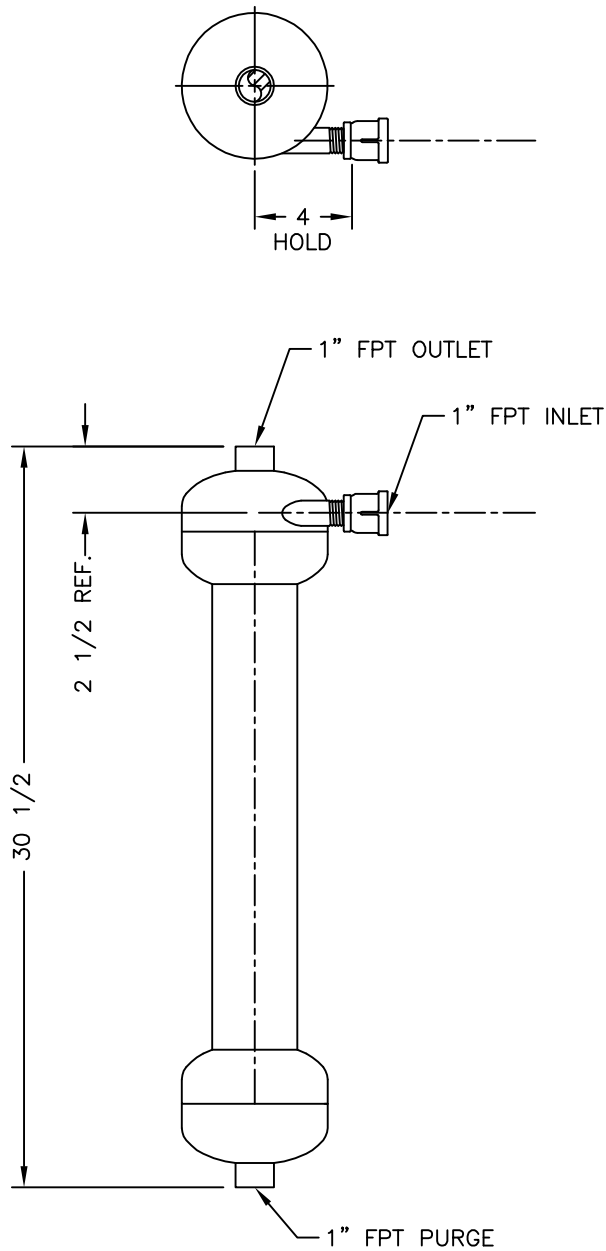



VCS-R10V SEPARATOR



FLOW RATE: 18 – 38 GPM.
 PRESSURE RATING: 150 PSI.
 SHIPPING WEIGHT: 26 LBS.

NOTICE: THIS DRAWING EMBODIES A CONFIDENTIAL PROPRIETARY DESIGN ORIGINATED BY RAIN BIRD CORPORATION. ALL DESIGN, MANUFACTURING, USE AND SALE RIGHTS REGARDING THE SAME ARE EXPRESSLY RESERVED. IT IS SUBMITTED UNDER A CONFIDENTIAL RELATIONSHIP FOR A SPECIFIC PURPOSE AND THE RECIPIENT AGREES BY ACCEPTING THIS DRAWING NOT TO SUPPLY OR DISCLOSE ANY INFORMATION REGARDING IT TO ANY UNAUTHORIZED PERSON, OR TO INCORPORATE IN OTHER PROJECTS ANY SPECIAL FEATURE UNIQUE TO THIS DESIGN. ALL PATENT RIGHTS HERETO ARE EXPRESSLY RESERVED.	UNLESS OTHERWISE SPECIFIED:	DRAWN	DATE	 SYSTEMS MFG. DIV. TUCSON, ARIZONA	PROJ. NAME
	FRACTIONAL TOLERANCE	DESIGNED	DATE		CENTRIFUGAL SAND SEPARATORS
	DRILLED HOLE Ø	SCALE	1:32		PROJ. NO.
	ANGULAR	DO NOT SCALE DRAWING		TITLE	DRAWING NUMBER
	DECIMAL TOLERANCE	LAST MODIFIED IN VERSION: AutoCAD 2011		VCS-R10V SEPARATOR	RBF053 A
		DWG SYMBOLS PER ANSI		PART NO.	REV.
				SHEET 1 OF 1	