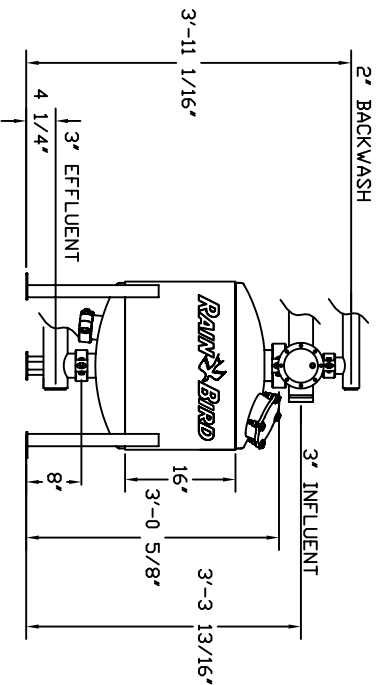
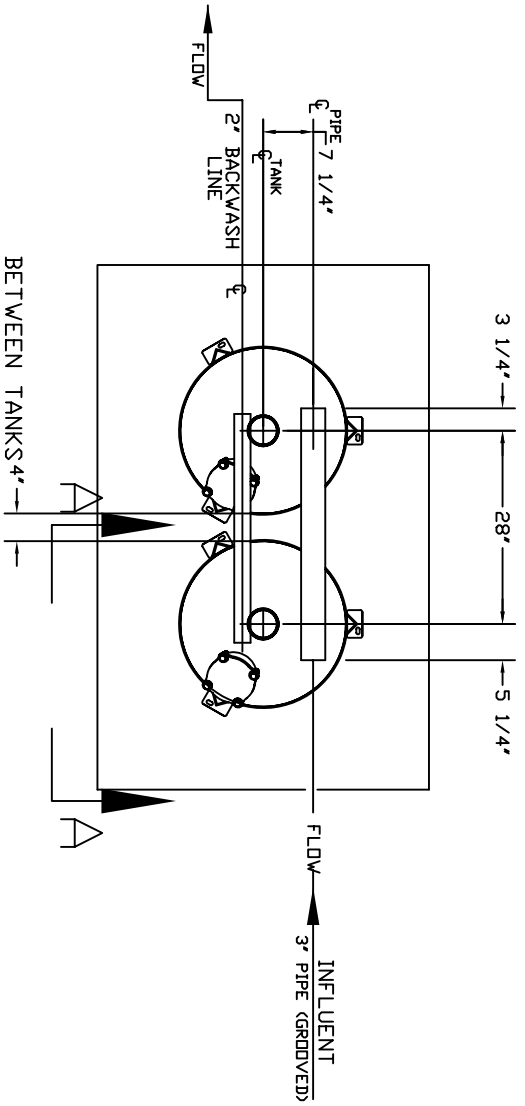
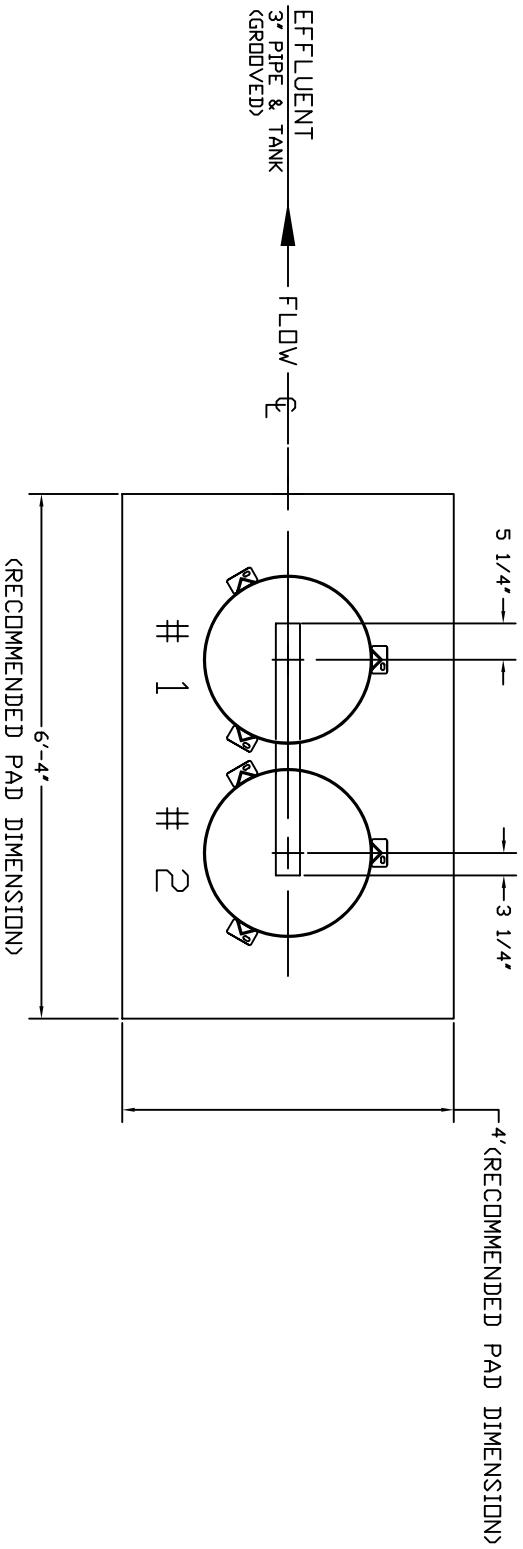


UPPER (INLET) MANIFOLD LAYOUT

2416-2-M LAYOUT



LOWER (OUTLET) MANIFOLD LAYOUT



PART NO.	MODEL	CARBOR STEEL SAND MEDIA FILTER
CF01-02	SM2416-2-M	107/158 (GMP)
CF02-02	SM2416-21-M	W/ID COATING 107/158 (GMP)
CF03-02	SM2416-2B-M	W/ID & OD COATING 107/158 (GMP)

NOTE: THIS DRAWING REQUIRES A COMPETENTIAL PROPRIETARY DESIGN MANUFACTURING USE AND SALE RIGHTS REGARDING THE SAME ARE EXPRESSLY RESERVED. IT IS A SPECIFIC PURPOSE AND THE RECIPIENT AGREES BY ACCEPTING THIS DRAWING NOT TO SUPPLY OR DISCLOSE THE DRAWING OR INFORMATION TO OTHER UNAUTHORIZED PERSONS OR TO REPRODUCE IN ANY MANNER WITHOUT THE WRITTEN PERMISSION OF THE DESIGNER. ALL PATENT RIGHTS HEREIN ARE EXPRESSLY RESERVED.

UNLESS OTHERWISE SPECIFIED:	DRAWN	DATE
FRACTIONAL	SB	09/06/10
TOLERANCE	SCALE	
HOLE Ø	1:2	
ANGULAR		
FINISH		
XXXXXXXXXX		
XXXXXXXXXX		
XXXXXXXXXX		

TITLE	PROJ. NAME
CARBON STEEL SAND MEDIA FILTERS	FILTER SYSTEMS
	DRAWING NUMBER
	CF01-02 A
	PART NO.
	SHEET 1 OF 1

DD NOT SCALE DWG.