

POWER: 460/60/3 V/HZ/PH

TOTAL FLA: xxx A

SERVICE REQ: xxx A

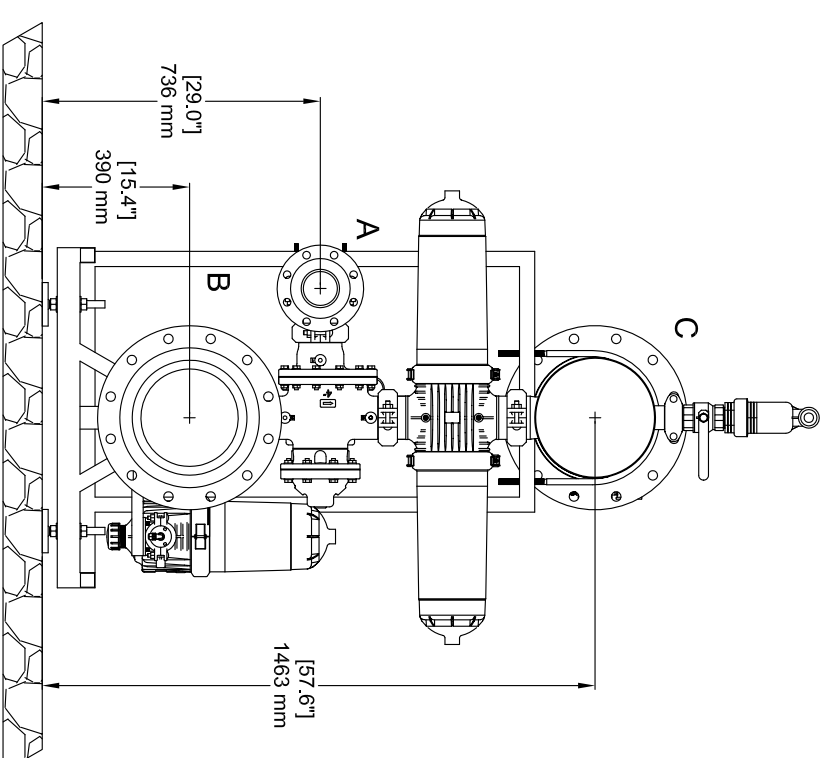
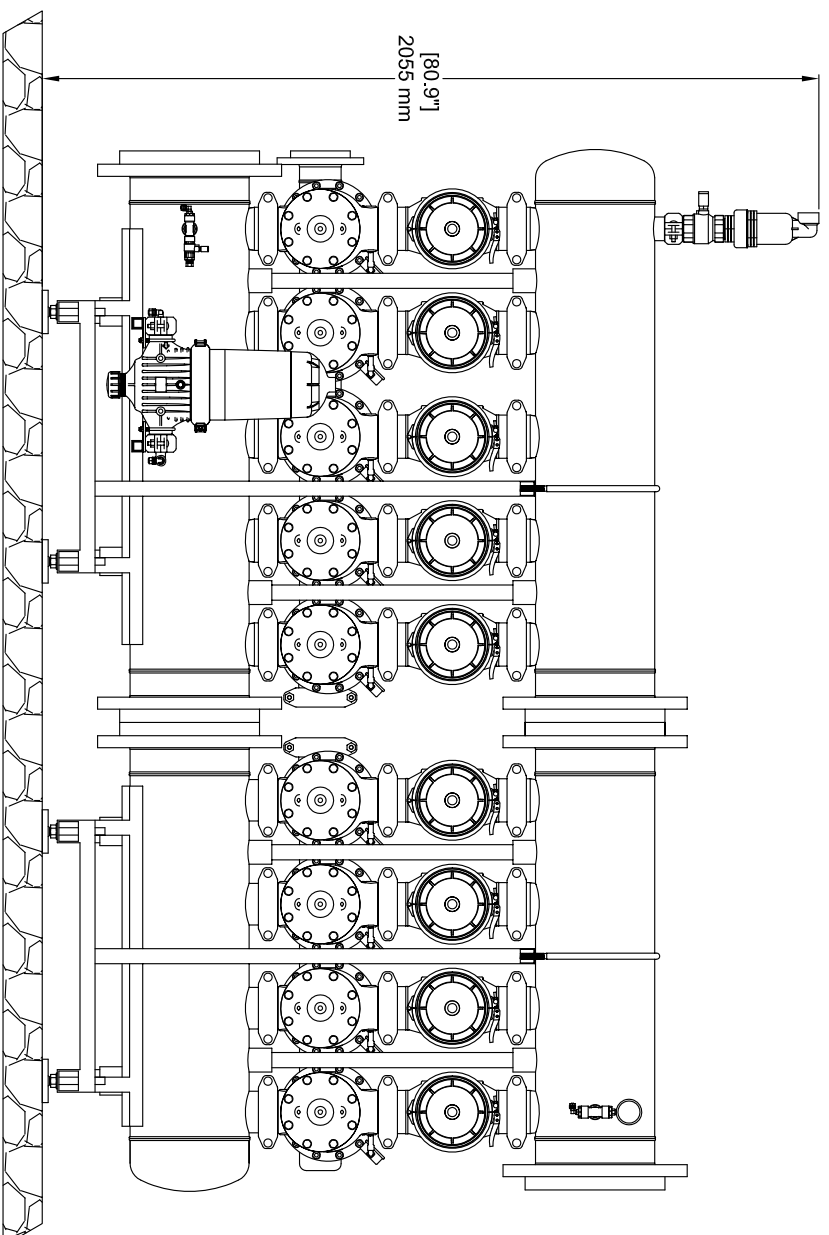
FLOW: xxxx GPM

DISCHARGE PRESSURE: xxx PSI

BOOST PRESSURE: xxx FT.

SUCTION PRESSURE: xxx PSI

NOTE: DRAWING BASED ON  
QUOTE #GV112608304F



A - 4" Drainage manifold  
ANSI Class 150

B - 12" Inlet manifold  
ANSI Class 150

C - 12" Outlet manifold  
ANSI Class 150

SIGN BLOCK FOR PRODUCTION RELEASE

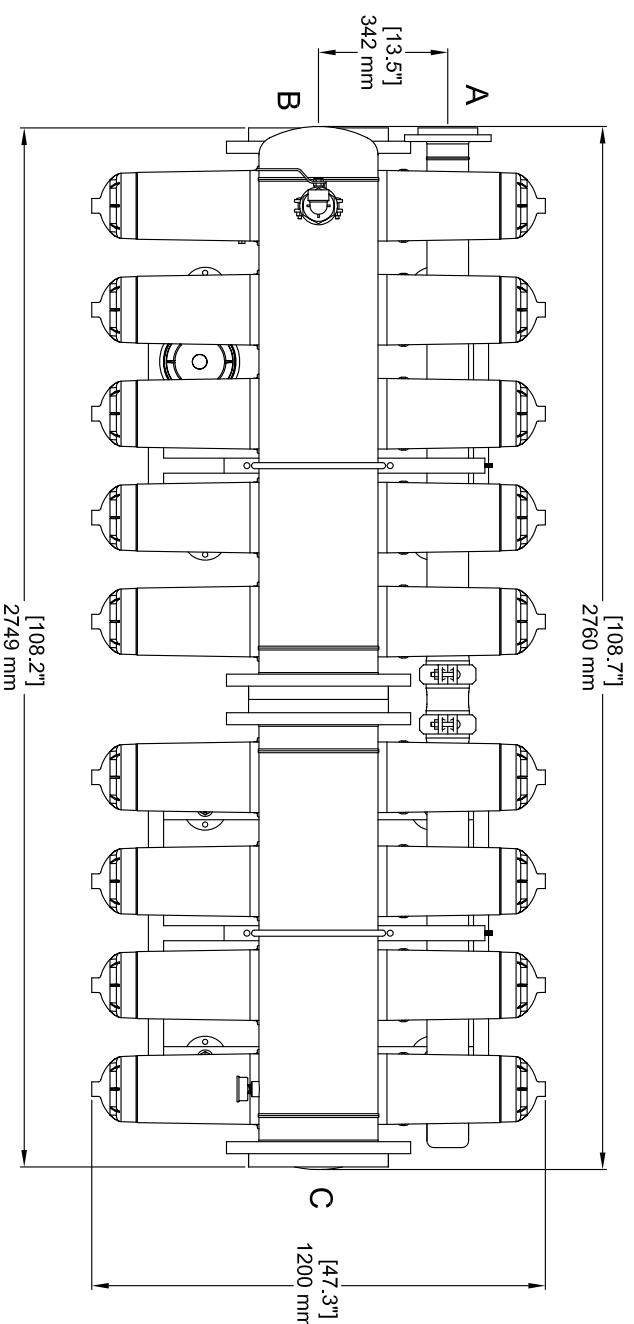
GENERAL ARRANGEMENT APPROVAL (INCLUDING ELECTRICAL REQUIREMENTS)

SIGNATURE \_\_\_\_\_

DATE \_\_\_\_\_

TITLE \_\_\_\_\_

SIGNATURE VERIFIES DRAWING DIMENSIONS MEET SITE REQUIREMENTS  
AND SCOPE OF THE ABOVE REFERENCED QUOTE. CHANGES AFTER APPROVAL  
COULD RESULT IN DELIVERY DELAYS AND ADDITIONAL COST.



A

B

C

D

E

F

8

7

6

5

4

3

2

1

NOTICE:

THE DRAWING IS THE PROPERTY OF RAINBIRD SYSTEMS INC. AND IS NOT TO BE REPRODUCED OR TRANSMITTED IN ANY FORM OR BY ANY MEANS, ELECTRONIC OR MECHANICAL, INCLUDING PHOTOCOPYING, RECORDING, OR BY ANY INFORMATION STORAGE AND RETRIEVAL SYSTEM. ANY UNAUTHORIZED REPRODUCTION OR TRANSMISSION OF THIS DRAWING IS STRICTLY PROHIBITED. RAINBIRD SYSTEMS INC. SHALL NOT BE RESPONSIBLE FOR ANY DAMAGE TO PERSON OR PROPERTY RESULTING FROM THE USE OF THIS DRAWING. ALL DIMENSIONS SHALL BE TO UNLESS OTHERWISE SPECIFIED.

UNLESS OTHERWISE SPECIFIED:

FRAC. DIM.	1/16"
DECIMAL DIM.	0.005"
SCALE	1" = 1'-0"
ANGLE	1/4°
TOLERANCE	±0.005"

PROJECT NAME

DISC FILTER ASSY HDF 9X4/12F

DATE

9/11/2013

DRAWN BY

352252XXX-M1-A

CHECKED BY

REL

SHEET NO.

SHEET 1 OF 1