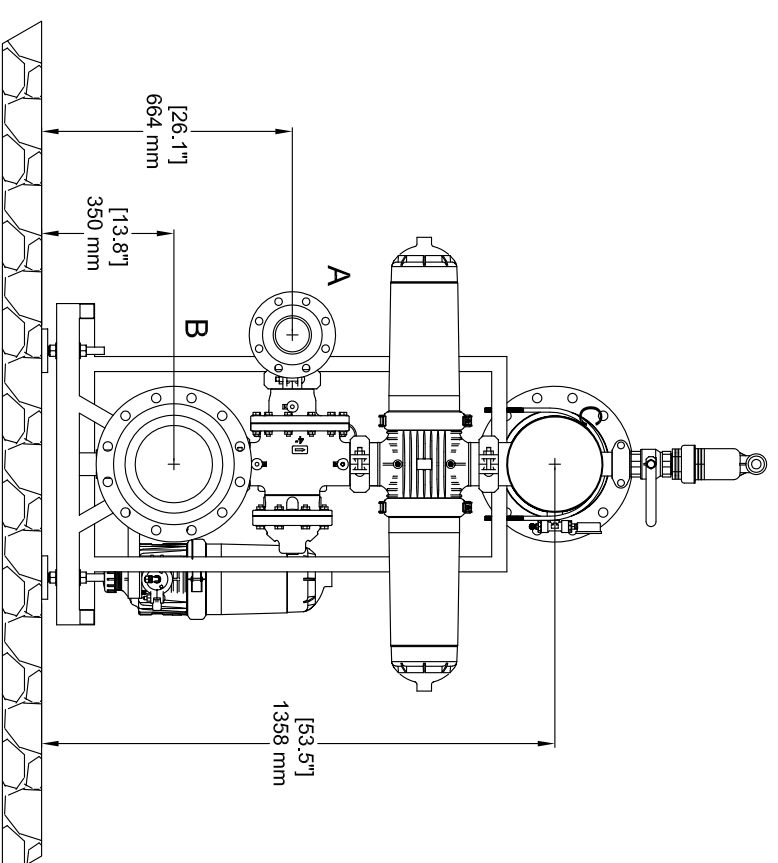
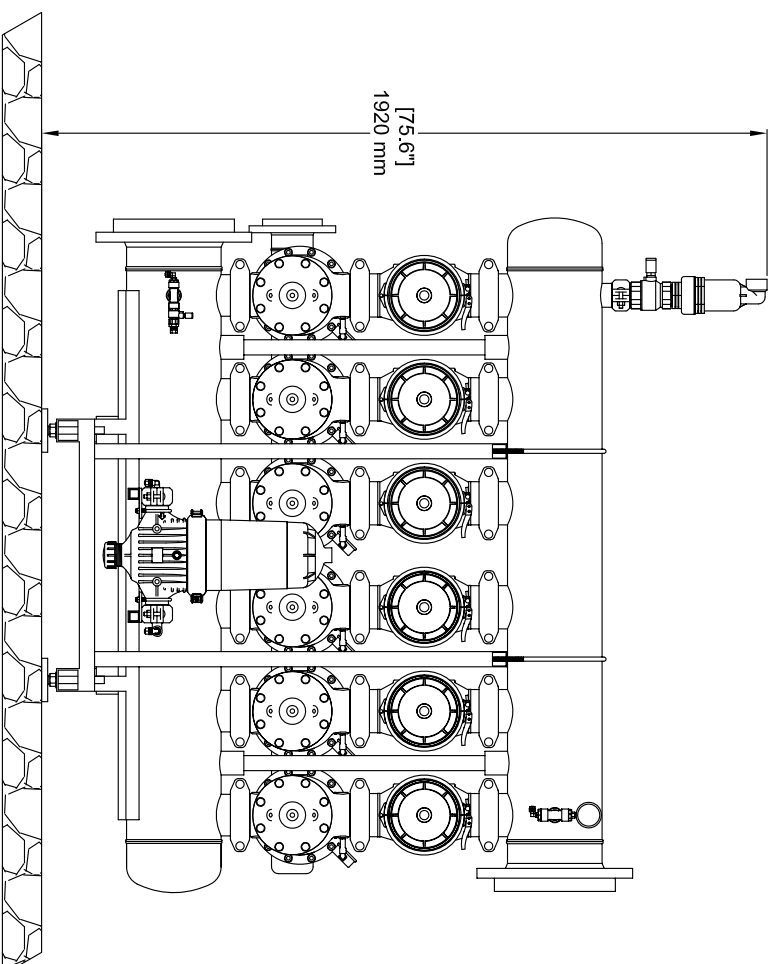


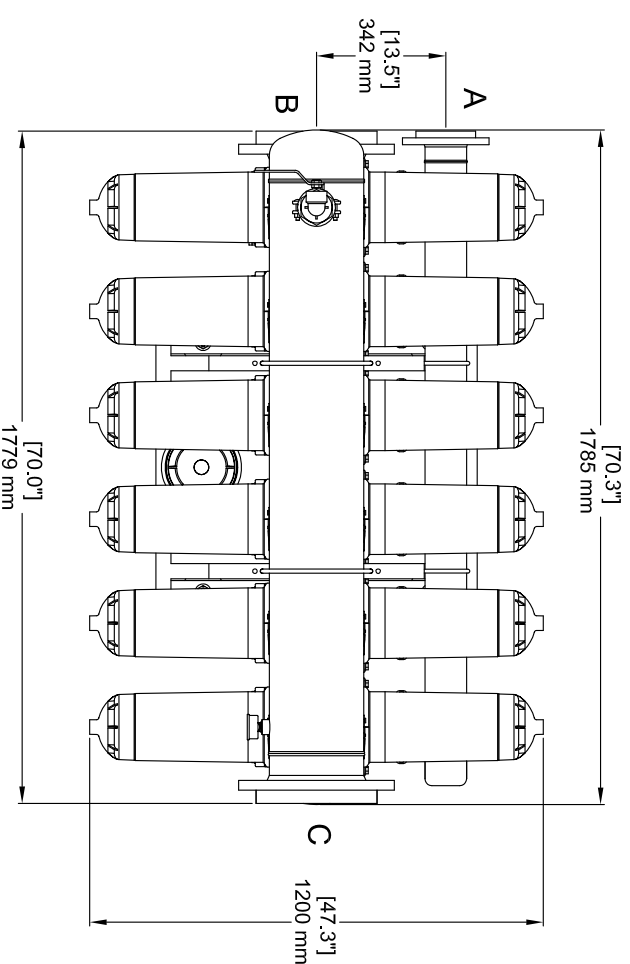
POWER: 460/60/3 V/Hz/PH
TOTAL FLA: xxx A
SERVICE REQ: xxx A
FLOW: xxxx GPM
DISCHARGE PRESSURE: xxx PSI
BOOST PRESSURE: xxx FT.
SUCTION PRESSURE: xxx PSI

NOTE: DRAWING BASED ON
QUOTE #GVT112608304F



- A - 4" Drainage manifold
ANSI Class 150
- B - 10" Inlet manifold
ANSI Class 150
- C - 10" Outlet manifold
ANSI Class 150

SIGN BLOCK FOR PRODUCTION RELEASE



GENERAL ARRANGEMENT APPROVAL (INCLUDING ELECTRICAL REQUIREMENTS)
SIGNATURE _____
DATE _____
TITLE _____
SIGNATURE VERIFIES DRAWING DIMENSIONS MEET SITE REQUIREMENTS
AND SCOPE OF THE ABOVE REFERENCED QUOTE. CHANGES AFTER APPROVAL
COULD RESULT IN DELIVERY DELAYS AND ADDITIONAL COST.

NOTICE:
THE INFORMATION CONTAINED HEREIN IS THE PROPERTY OF RAINBIRD SYSTEMS INC. AND IS TO BE USED ONLY FOR THE PROJECT AND SITE SPECIFICALLY IDENTIFIED HEREIN. ANY REPRODUCTION OR TRANSMISSION OF THIS INFORMATION WITHOUT THE WRITTEN PERMISSION OF RAINBIRD SYSTEMS INC. IS STRICTLY PROHIBITED. RAINBIRD SYSTEMS INC. ASSUMES NO LIABILITY FOR ANY DAMAGE OR LOSS OF PROFITS, BUSINESS, OR REVENUE, OR FOR ANY SPECIAL, INCIDENTAL, OR CONSEQUENTIAL DAMAGES, INCLUDING ATTORNEY'S FEES, ARISING FROM THE USE OF THIS INFORMATION.

UNLESS OTHERWISE SPECIFIED	FINISH	DATE
FUNCTIONAL TOLERANCE	SEE DETAIL	9/10/13
FORM FIT	SEE DETAIL	
ANGLE	SEE DETAIL	
TOLERANCE	SEE DETAIL	

		PROJ. NAME DISC FILTER ASSY HDF 6X4/10F
SYSTEMS INC. DIV. TUCSON, ARIZONA	PROJ. NO. GP1212100989	DRAWING NUMBER 352252XXX-M1-A
TITLE DISC FILTER ASSY HDF 6X4/10F	DATE 9/10/13	SHEET NO. SHEET 1 OF 1

