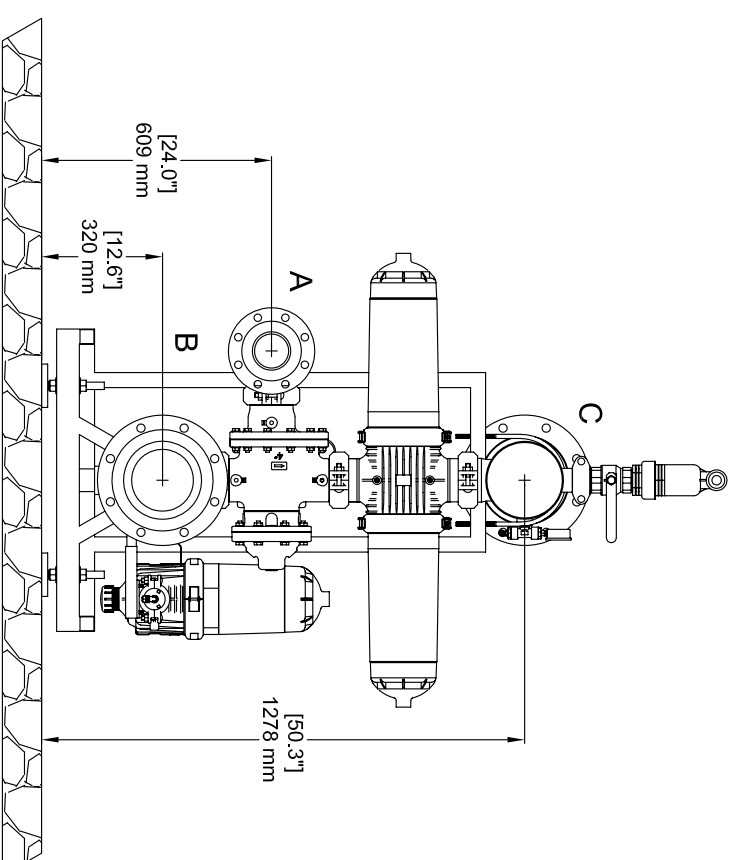
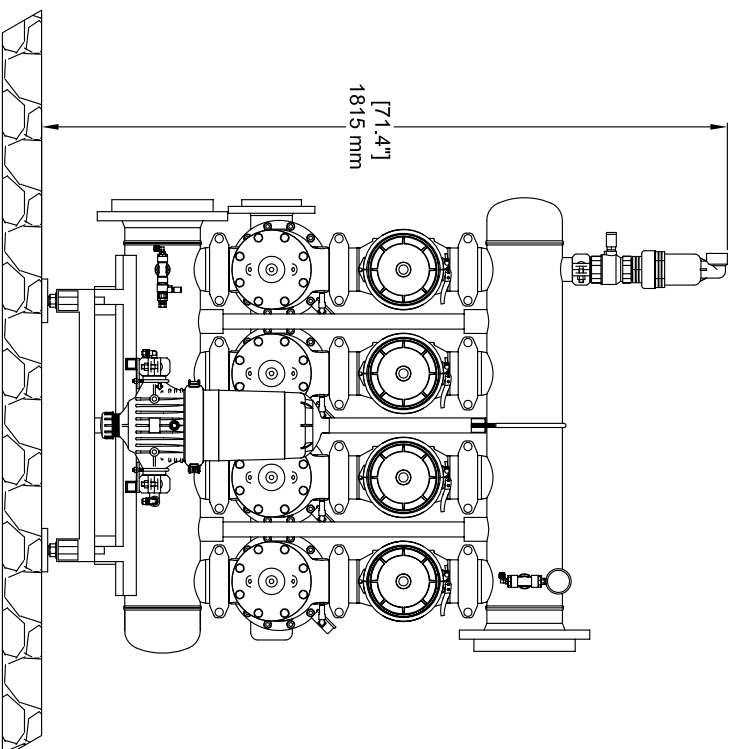


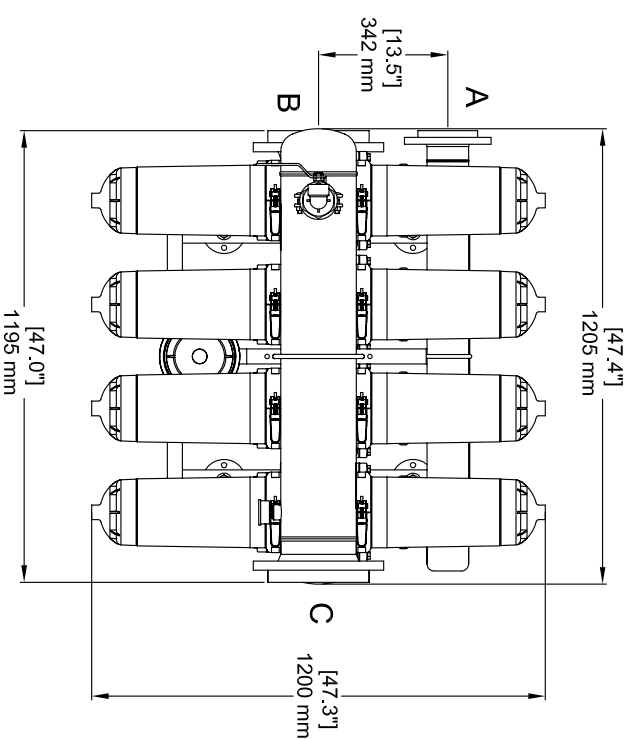
POWER: 460/60/3 V/HZ/PH
TOTAL FLA: xxx A
SERVICE REQ: xxx A
FLOW: xxxx GPM
DISCHARGE PRESSURE: xxx PSI
BOOST PRESSURE: xxx FT.
SUCTION PRESSURE: xxx PSI

NOTE: DRAWING BASED ON
QUOTE #GVT112608304F



- A - 4" Drainage manifold
ANSI Class 150
- B - 8" Inlet manifold
ANSI Class 150
- C - 8" Outlet manifold
ANSI Class 150

SIGN BLOCK FOR PRODUCTION RELEASE



GENERAL ARRANGEMENT APPROVAL (INCLUDING ELECTRICAL REQUIREMENTS)

SIGNATURE _____

DATE _____

TITLE _____

SIGNATURE VERIFIES DRAWING DIMENSIONS MEET SITE REQUIREMENTS AND SCOPE OF THE ABOVE REFERENCED QUOTE. CHANGES AFTER APPROVAL COULD RESULT IN DELIVERY DELAYS AND ADDITIONAL COST.

NOTICE:
THIS DRAWING IS THE PROPERTY OF RAINBIRD SYSTEMS INC. AND IS NOT TO BE REPRODUCED OR TRANSMITTED IN ANY FORM OR BY ANY MEANS, ELECTRONIC OR MECHANICAL, INCLUDING PHOTOCOPYING, RECORDING, OR BY ANY INFORMATION STORAGE AND RETRIEVAL SYSTEM. ANY UNAUTHORIZED REPRODUCTION OR TRANSMISSION OF THIS DRAWING IS STRICTLY PROHIBITED. RAINBIRD SYSTEMS INC. SHALL NOT BE RESPONSIBLE FOR ANY DAMAGE OR LOSS OF PROFITS, BUSINESS, OR REPUTATION, OR FOR ANY SPECIAL, INCIDENTAL, OR CONSEQUENTIAL DAMAGES, INCLUDING ATTORNEY'S FEES, ARISING FROM THE USE OF THIS DRAWING.

UNLESS OTHERWISE SPECIFIED	UNIT	SCALE	DATE
PROJECTION	1st	AS SHOWN	9/11/2013
TOLERANCE	± .125"		
FINISH	AS SHOWN		
SCALE	AS SHOWN		
UNIT	INCHES		
DECIMALS	XX		
FRACTIONS	XX		
PERCENTS	XX		

PROJECT: DISC FILTER ASSY HDF 4X4/8F
DATE: 9/11/2013
DESIGNED BY: JMS
CHECKED BY: JMS
DATE: 9/11/2013
SCALE: AS SHOWN
UNIT: INCHES
DECIMALS: XX
FRACTIONS: XX
PERCENTS: XX

PROJECT: DISC FILTER ASSY HDF 4X4/8F
DATE: 9/11/2013
DESIGNED BY: JMS
CHECKED BY: JMS
DATE: 9/11/2013
SCALE: AS SHOWN
UNIT: INCHES
DECIMALS: XX
FRACTIONS: XX
PERCENTS: XX

PROJECT: DISC FILTER ASSY HDF 4X4/8F
DATE: 9/11/2013
DESIGNED BY: JMS
CHECKED BY: JMS
DATE: 9/11/2013
SCALE: AS SHOWN
UNIT: INCHES
DECIMALS: XX
FRACTIONS: XX
PERCENTS: XX

PROJECT: DISC FILTER ASSY HDF 4X4/8F
DATE: 9/11/2013
DESIGNED BY: JMS
CHECKED BY: JMS
DATE: 9/11/2013
SCALE: AS SHOWN
UNIT: INCHES
DECIMALS: XX
FRACTIONS: XX
PERCENTS: XX

