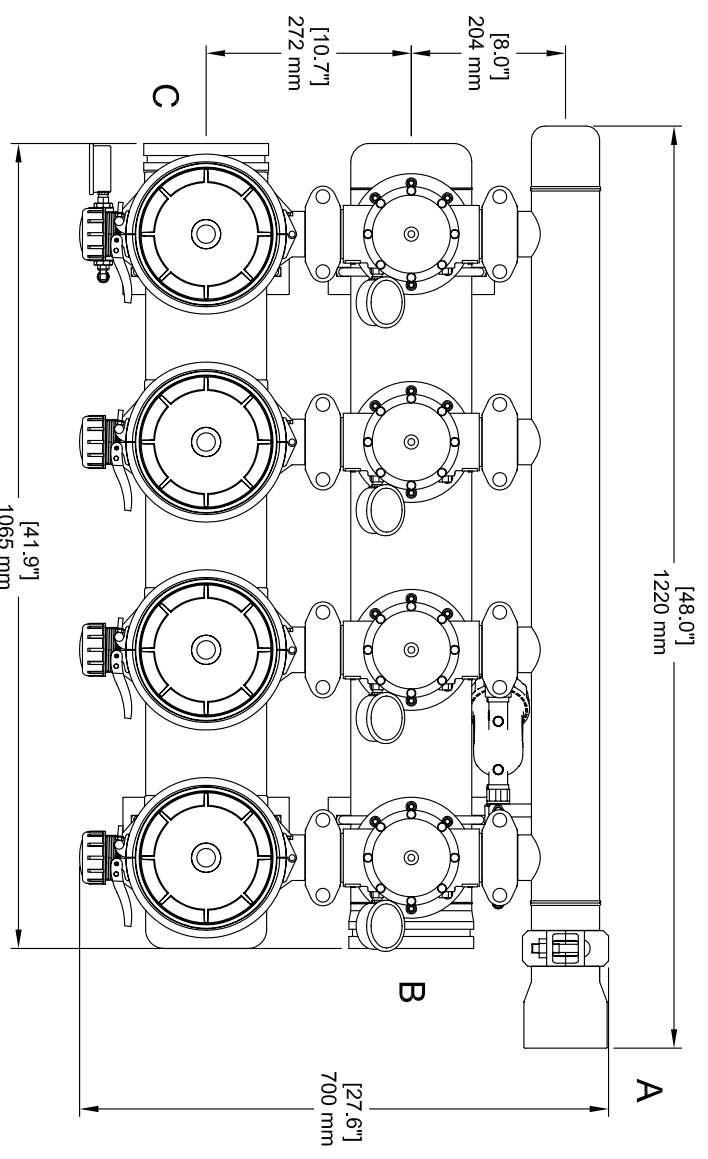
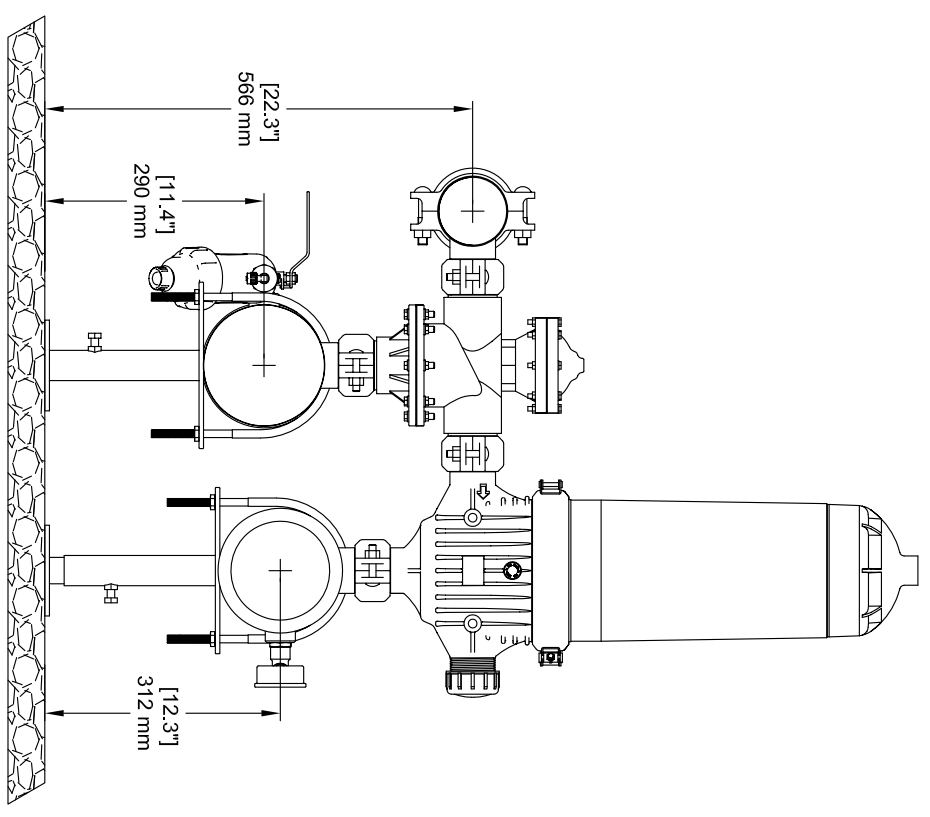
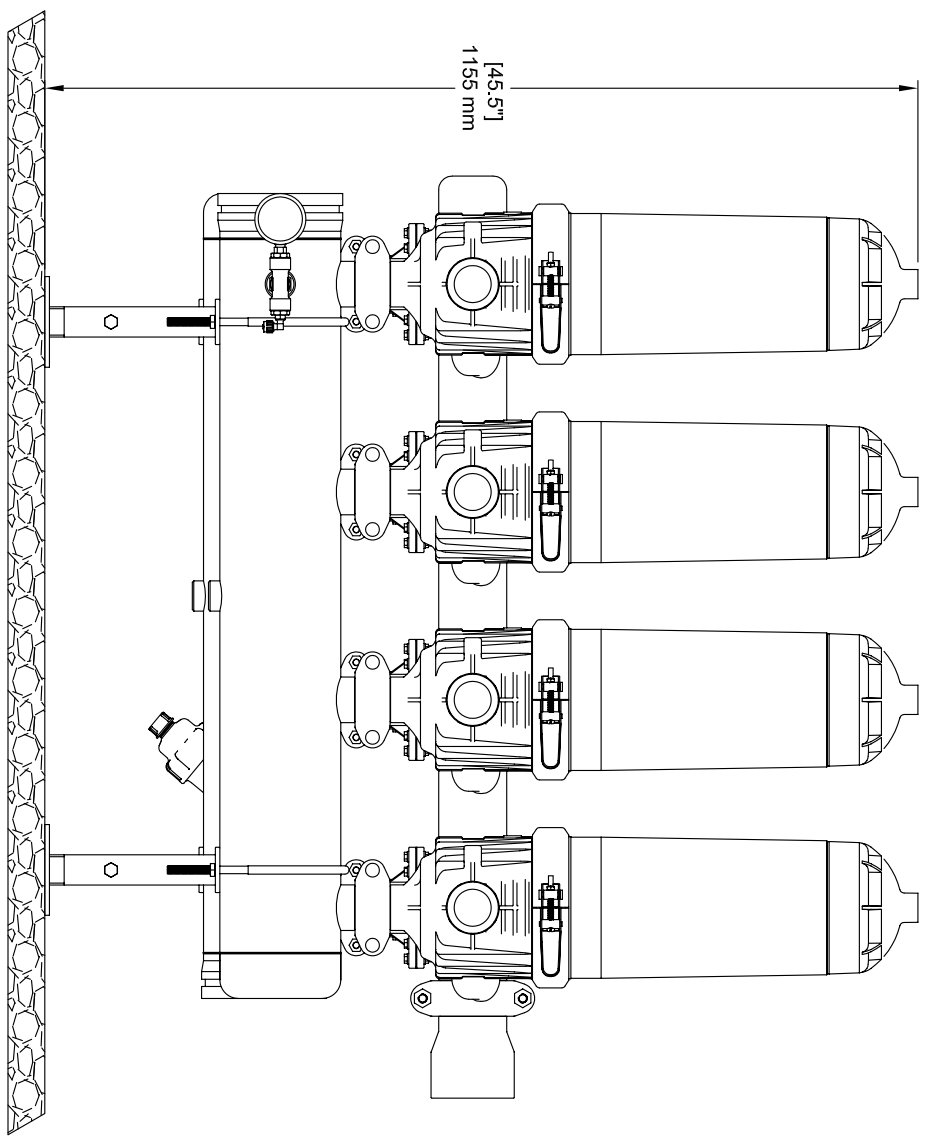


POWER: 460/60/3 V/Hz/PH
 TOTAL FLA: xxx A
 SERVICE REQ: xxx A
 FLOW: xxx GPM
 DISCHARGE PRESSURE: xxx PSI
 BOOST PRESSURE: xxx FT.
 SUCTION PRESSURE: xxx PSI

NOTE: DRAWING BASED ON
 QUOTE #GVT112608304F



A - 3" Drainage manifold
 B - 6" Inlet manifold
 C - 6" Outlet manifold

SIGN BLOCK FOR PRODUCTION RELEASE

GENERAL ARRANGEMENT APPROVAL (INCLUDING ELECTRICAL REQUIREMENTS)
 SIGNATURE _____
 DATE _____
 TITLE _____
 SIGNATURE VERIFIES DRAWING DIMENSIONS MEET SITE REQUIREMENTS
 AND SCOPE OF THE ABOVE REFERENCED QUOTE. CHANGES AFTER APPROVAL
 COULD RESULT IN DELIVERY DELAYS AND ADDITIONAL COST.

NOTICE:
 THE DRAWING ENGINEER'S COMMENTS, REVISIONS, OR
 DESIGNATIONS ARE THE PROPERTY OF RAIN-BIRD
 SYSTEMS, INC. AND ARE NOT TO BE REPRODUCED OR
 TRANSMITTED IN ANY FORM OR BY ANY MEANS,
 ELECTRONIC OR MECHANICAL, INCLUDING
 PHOTOCOPYING, RECORDING, OR BY ANY
 INFORMATION STORAGE AND RETRIEVAL SYSTEM,
 WITHOUT THE WRITTEN PERMISSION OF RAIN-BIRD
 SYSTEMS, INC. ANY UNAUTHORIZED REPRODUCTION
 OR TRANSMISSION IS STRICTLY PROHIBITED.

UNLESS OTHERWISE SPECIFIED:	FINISH	DATE	SCALE	DATE
FRONT VIEW	SEE	3/10/03	AS SHOWN	
TOLERANCE	FINISH	DATE	SCALE	DATE
HOLE Ø	SEE	3/10/03	AS SHOWN	
ANGLE	SEE	3/10/03	AS SHOWN	
TOLERANCE	SEE	3/10/03	AS SHOWN	
PROJECT: DISC FILTER ASSY HDF 4X2/6G DRAWING NO: GP12/3/100999 TITLE: DISC FILTER ASSY HDF 4X2/6G DRAWING NUMBER: 35222XXX-M1-A SHEET 1 OF 1				