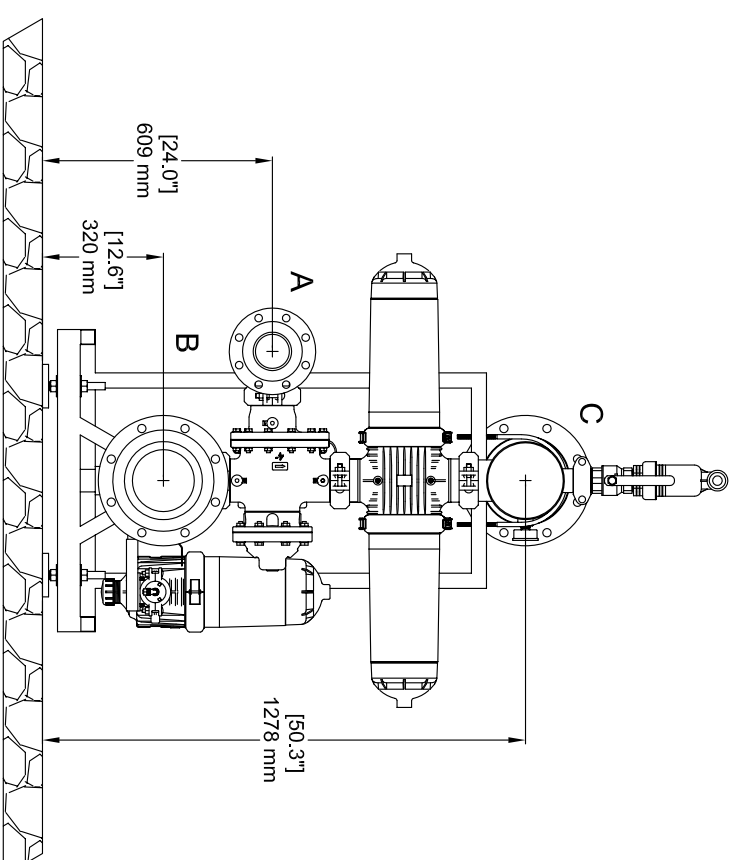
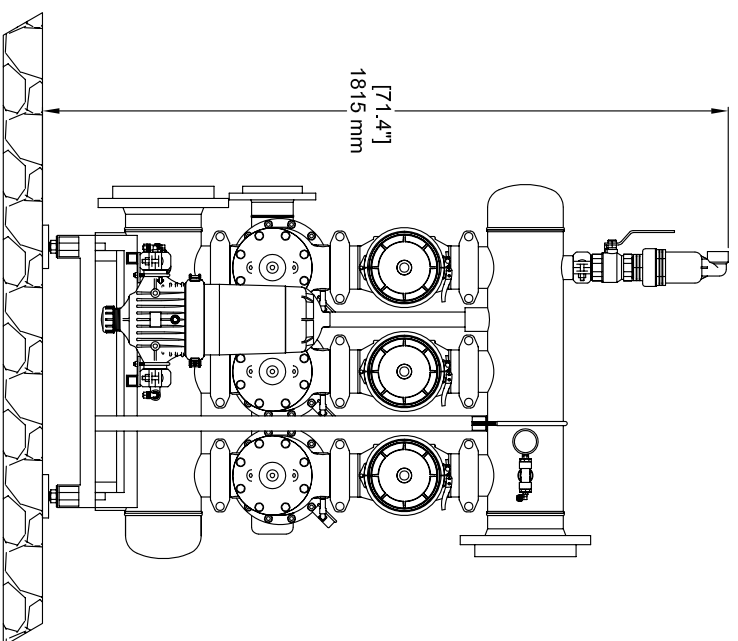


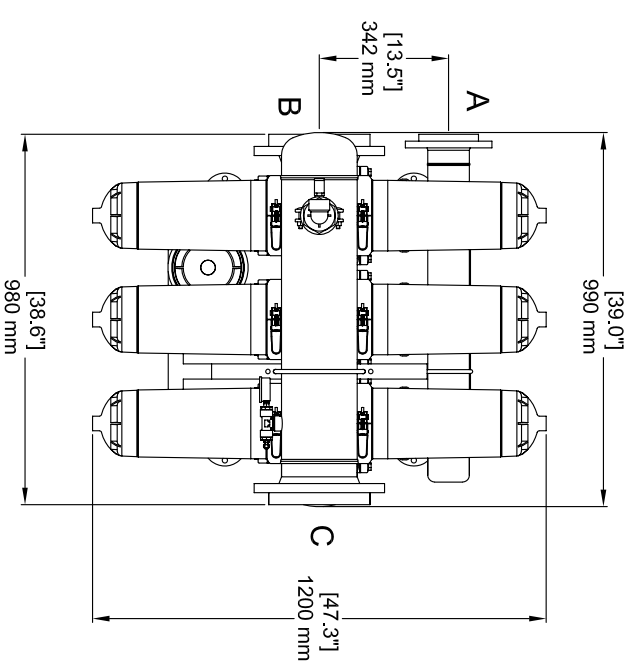
POWER: 460/60/3 V/HZ/PH
TOTAL FLA: xxx A
SERVICE REQ. xxx A
FLOW: xxxx GPM
DISCHARGE PRESSURE: xxx PSI
BOOST PRESSURE: xxx FT.
SUCTION PRESSURE: xxx PSI

NOTE: DRAWING BASED ON
QUOTE #GVT112608304F



- A - 4" Drainage manifold
ANSI Class 150
- B - 8" Inlet manifold
ANSI Class 150
- C - 8" Outlet manifold
ANSI Class 150

SIGN BLOCK FOR PRODUCTION RELEASE



GENERAL ARRANGEMENT APPROVAL (INCLUDING ELECTRICAL REQUIREMENTS)

SIGNATURE _____

DATE _____

TITLE _____

SIGNATURE VERIFIES DRAWING DIMENSIONS MEET SITE REQUIREMENTS
AND SCOPE OF THE ABOVE REFERENCED QUOTE. CHANGES AFTER APPROVAL
COULD RESULT IN DELIVERY DELAYS AND ADDITIONAL COST.

NOTICE:

THIS DRAWING IS THE PROPERTY OF RAIN BIRD SYSTEMS INC. AND IS NOT TO BE REPRODUCED OR TRANSMITTED IN ANY FORM OR BY ANY MEANS, ELECTRONIC OR MECHANICAL, INCLUDING PHOTOCOPYING, RECORDING, OR BY ANY INFORMATION STORAGE AND RETRIEVAL SYSTEM. ANY UNAUTHORIZED REPRODUCTION OR TRANSMISSION OF THIS DRAWING IS STRICTLY PROHIBITED. RAIN BIRD SYSTEMS INC. SHALL BE RESPONSIBLE FOR ANY ERRORS OR OMISSIONS IN THIS DRAWING. THE USER OF THIS DRAWING SHALL BE RESPONSIBLE FOR VERIFYING THE ACCURACY OF THE INFORMATION PROVIDED HEREIN. RAIN BIRD SYSTEMS INC. SHALL NOT BE RESPONSIBLE FOR ANY DAMAGES, INCLUDING CONSEQUENTIAL DAMAGES, ARISING OUT OF OR FROM THE USE OF THIS DRAWING.

UNLESS OTHERWISE SPECIFIED:		DIMENSIONS		DATE	
FINISH	TOLERANCE	UNIT	SCALE	REV.	DATE
AS SHOWN	±.005"	INCHES	AS SHOWN	1	9/11/2013
AS SHOWN	±.010"	MILLIMETERS	AS SHOWN	2	9/11/2013
AS SHOWN	±.015"	MILLIMETERS	AS SHOWN	3	9/11/2013
AS SHOWN	±.020"	MILLIMETERS	AS SHOWN	4	9/11/2013
AS SHOWN	±.030"	MILLIMETERS	AS SHOWN	5	9/11/2013
AS SHOWN	±.040"	MILLIMETERS	AS SHOWN	6	9/11/2013
AS SHOWN	±.050"	MILLIMETERS	AS SHOWN	7	9/11/2013
AS SHOWN	±.060"	MILLIMETERS	AS SHOWN	8	9/11/2013



PROJECT NAME: DISC FILTER ASSY HDF 3X4/8F
PROJECT NO.: GP12100989

TITLE: DISC FILTER ASSY HDF 3X4/8F

PROJECT NUMBER: 352252XXXX-M1-A
SHEET NO.: SHEET 1 OF 1

A

B

C

D

E

F

8

7

6

5

4

3

2

1

A

B

C

D

E

F