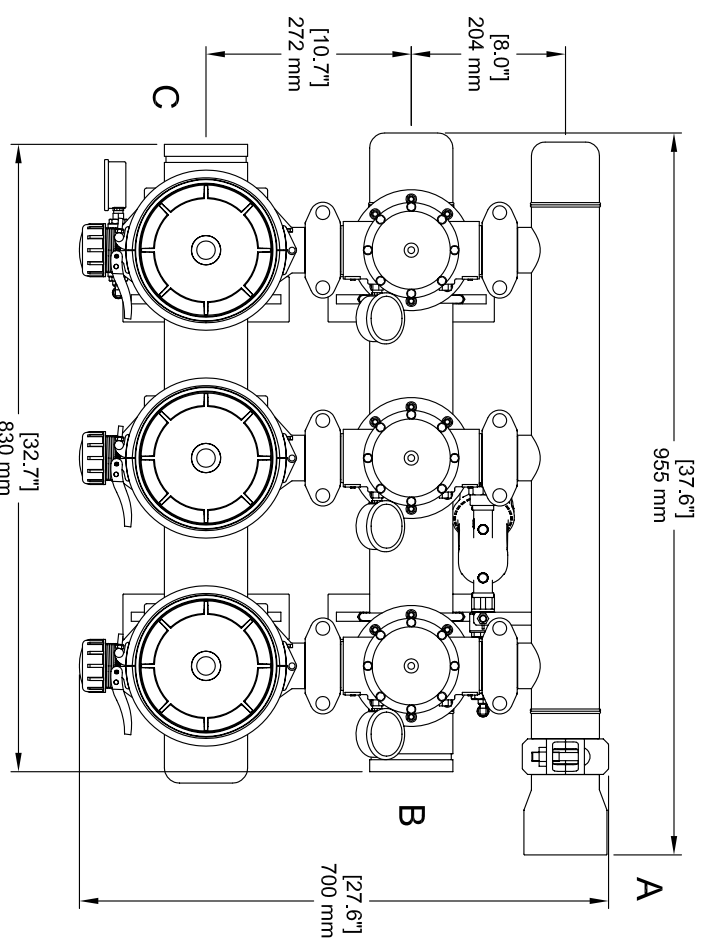
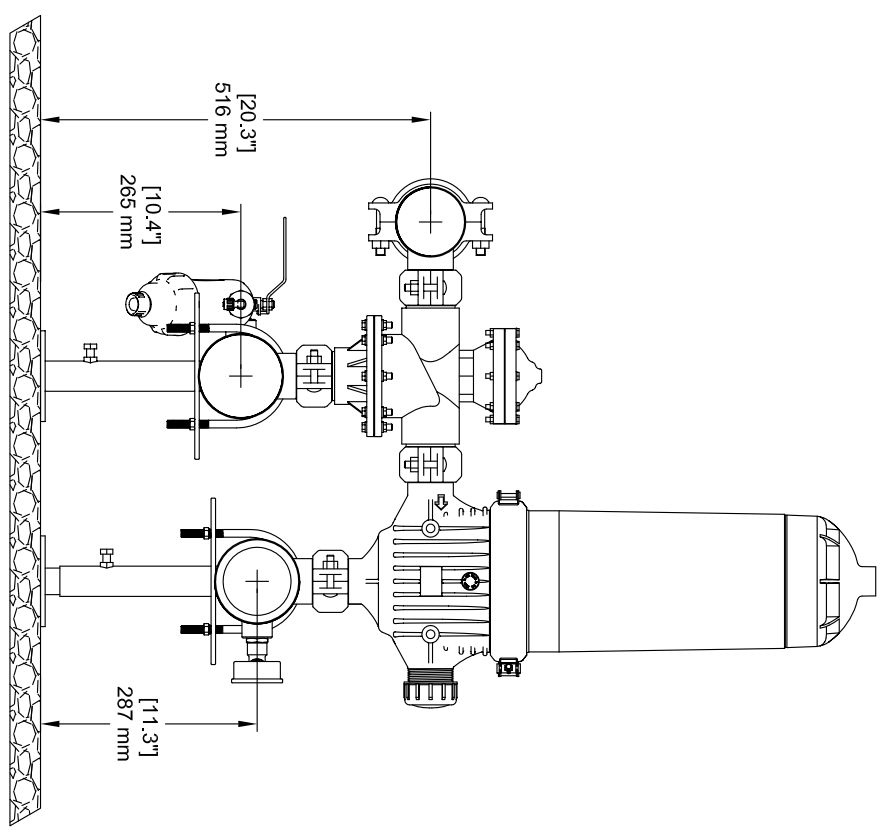
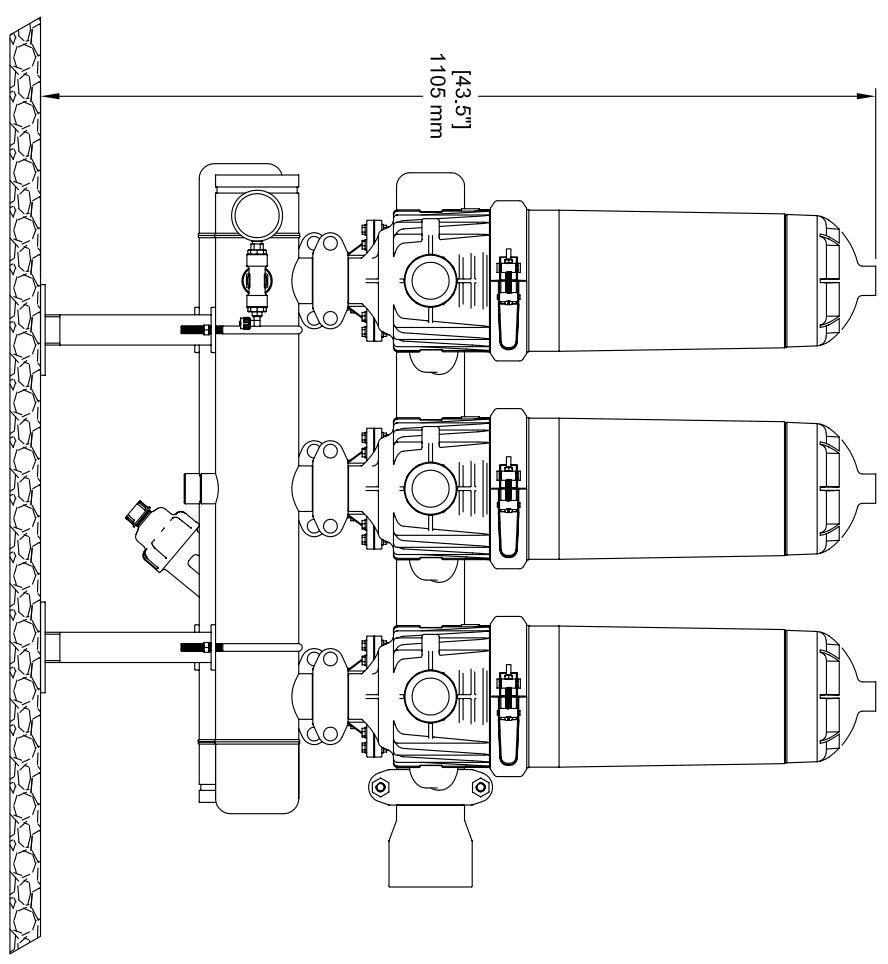


POWER: 460/60/3 V/Hz/PH
 TOTAL FLA: xxx A
 SERVICE REQ: xxx A
 FLOW: xxx GPM
 DISCHARGE PRESSURE: xxx PSI
 BOOST PRESSURE: xxx FT.
 SUCTION PRESSURE: xxx PSI

NOTE: DRAWING BASED ON
 QUOTE #GVT112608304F



- A - 3" Drainage manifold
- B - 4" Inlet manifold
- C - 4" Outlet manifold

SIGN BLOCK FOR PRODUCTION RELEASE

GENERAL ARRANGEMENT APPROVAL (INCLUDING ELECTRICAL REQUIREMENTS)

SIGNATURE _____

DATE _____

TITLE _____

SIGNATURE VERIFIES DRAWING DIMENSIONS MEET SITE REQUIREMENTS AND SCOPE OF THE ABOVE REFERENCED QUOTE. CHANGES AFTER APPROVAL COULD RESULT IN DELIVERY DELAYS AND ADDITIONAL COST.

NOTICE:
 THE DRAWING ENGINEER'S COMMENTS, SPECIFICATIONS, AND NOTES ARE THE SOLE RESPONSIBILITY OF THE DRAWING ENGINEER. THE USER OF THIS DRAWING SHALL BE RESPONSIBLE FOR VERIFYING THE ACCURACY OF THE INFORMATION PROVIDED HEREON. THE DRAWING ENGINEER SHALL NOT BE RESPONSIBLE FOR ANY ERRORS OR OMISSIONS IN THIS DRAWING. THE USER SHALL BE RESPONSIBLE FOR OBTAINING ALL NECESSARY PERMITS AND APPROVALS FROM THE APPROPRIATE AGENCIES. THE DRAWING ENGINEER SHALL NOT BE RESPONSIBLE FOR ANY DAMAGE TO PERSONS OR PROPERTY ARISING FROM THE USE OF THIS DRAWING.

UNLESS OTHERWISE SPECIFIED:		FINISH	
SPACING	1/8"	SMOOTH	300/200
TOLERANCE	± .005"	BEHIND	DATE 9/10/2013
SCALE	AS SHOWN	DATE	9/10/2013
UNIT	INCHES	DATE	9/10/2013
SCALE	1/8" = 1"	DATE	9/10/2013
SCALE	1/4" = 1"	DATE	9/10/2013
SCALE	3/8" = 1"	DATE	9/10/2013
SCALE	1/2" = 1"	DATE	9/10/2013
SCALE	3/4" = 1"	DATE	9/10/2013
SCALE	1" = 1"	DATE	9/10/2013

RAIN-BIRD
 SYSTEMS, INC., INC.
 TULSA, OKLAHOMA

PROJECT: DISC FILTER ASSY HDF 3X2/4G
 PROJECT NO: GP1213100999

TITLE: DISC FILTER ASSY HDF 3X2/4G

DATE: 9/10/2013

35222XXX-M1-A
 SHEET 1 OF 1