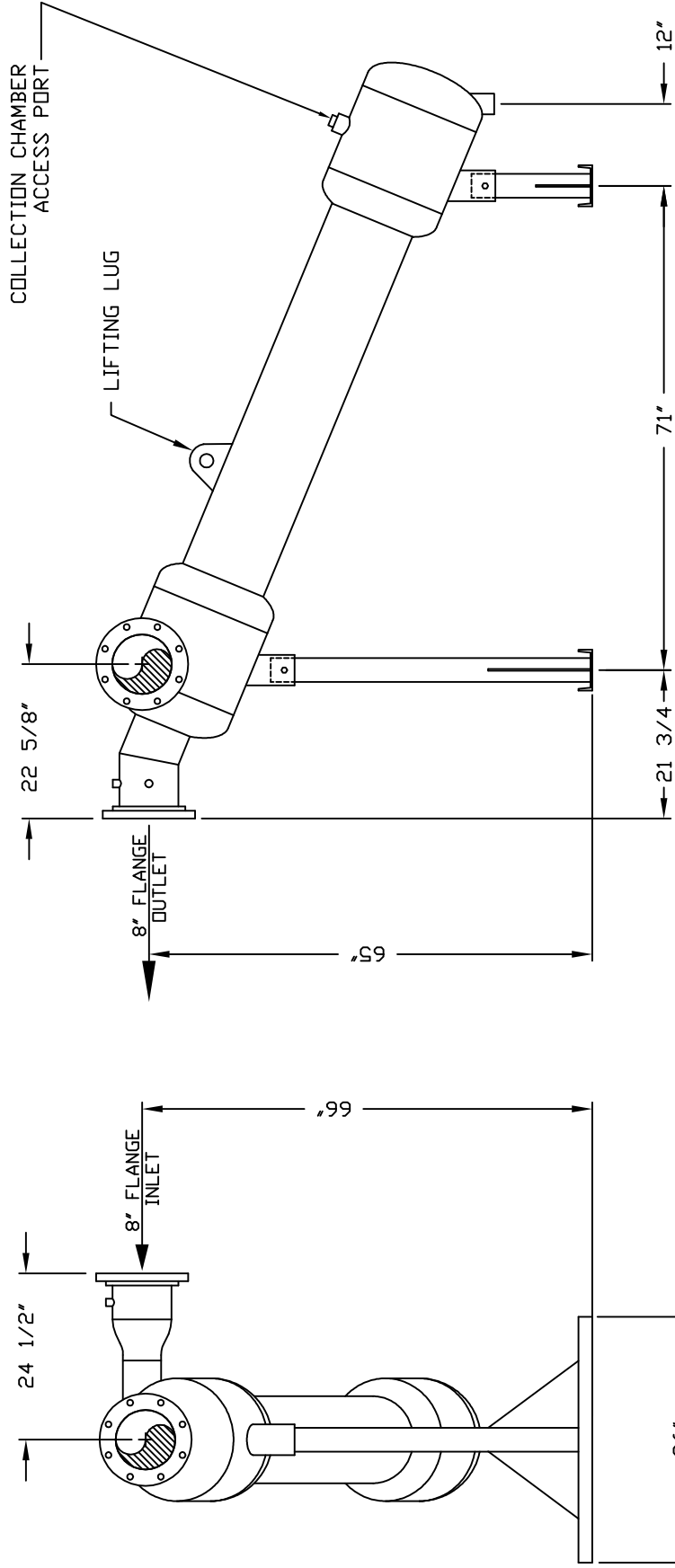


SEPARATOR ACS-R-80LA



FLOW RATE: 800-1600 GPM
 MAX PRESSURE: 150 PSI MAX
 MIN BACK PRESSURE: 15 PSI

UNLESS OTHERWISE SPECIFIED:		FRAC TOLERANCE	± 1/8"
HOLE Ø		DRILLED	± 1/32"
ANGULAR		± 2'	
TOLERANCE .XX		± .005"	
TOLERANCE .XX		± .005"	
TOLERANCE .XX		± .005"	

THIS DRAWING EMBODIES A CONFIDENTIAL PROPRIETARY DESIGN ORIGINATED BY RAIN BIRD CORPORATION. ALL RIGHTS ARE RESERVED. NO PART OF THIS DRAWING IS TO BE REPRODUCED, COPIED, OR TRANSMITTED IN ANY FORM OR BY ANY MEANS, ELECTRONIC OR MECHANICAL, INCLUDING PHOTOCOPYING, RECORDING, OR BY ANY INFORMATION STORAGE AND RETRIEVAL SYSTEM, WITHOUT THE WRITTEN PERMISSION OF RAIN BIRD CORPORATION. ANY INFORMATION REGARDING THIS DRAWING NOT TO BE DISCLOSED TO ANY UNAUTHORIZED PERSONS WITHOUT THE WRITTEN PERMISSION OF RAIN BIRD CORPORATION. SPECIAL FEATURES UNLIKE TO THIS DESIGN ALL PATENT RIGHTS HERETO ARE EXPRESSLY RESERVED.

PROJ. NAME	CENTRIFUGAL SWD SEPARATORS
PROJ. NO.	
DRAWING NUMBER	RBF061 A
PART NO.	
SHEET NO.	1 OF 1

DRAWN	DATE	TITLE
DESIGNED	BY	
SCALE		
DO NOT SCALE DRAWING		
LAST MODIFIED		
PER ANST'S		

RAIN BIRD SYSTEMS MFG. DIV. TUCSON, ARIZONA
ACS-R80LA
SEPARATOR