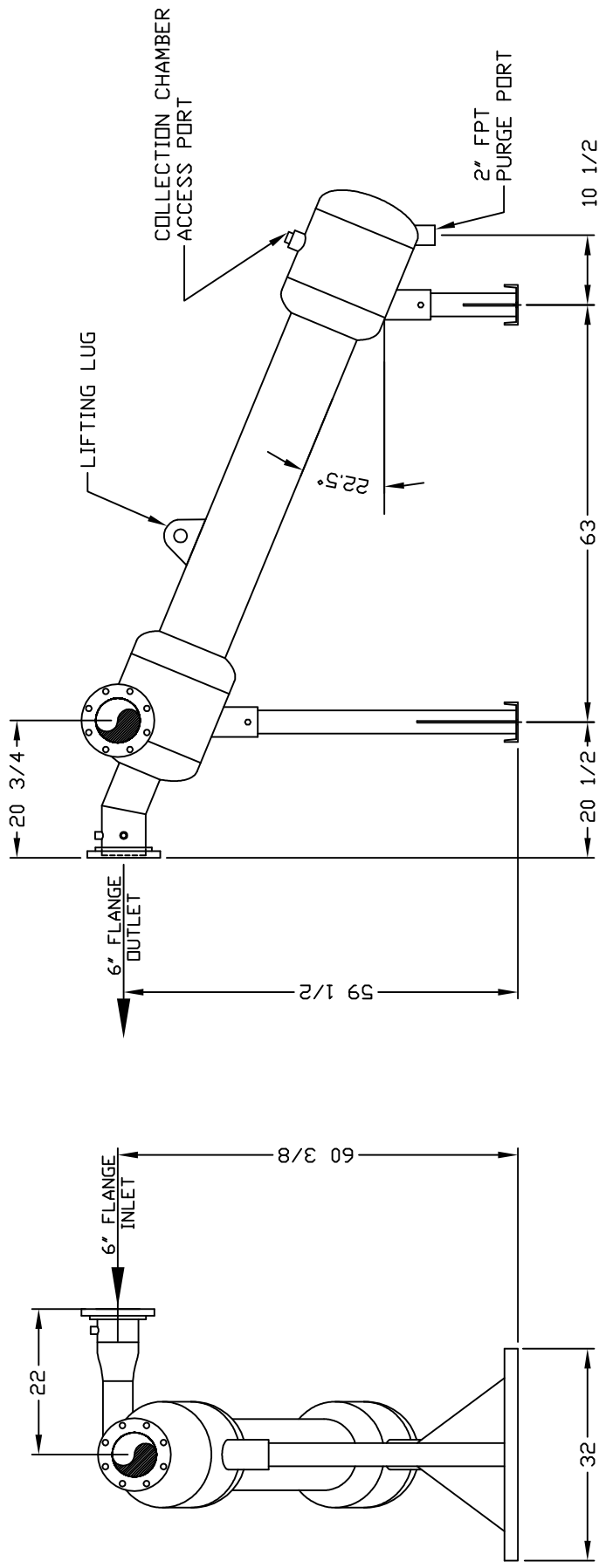


# SEPARATOR ACS-R-60LA



FLOW RATE: 365-960 GPM  
 MAX PRESSURE: 150 PSI MAX  
 MIN BACK PRESSURE: 15 PSI

UNLESS OTHERWISE SPECIFIED: FRACTIONAL TOLERANCE: **1/8" DECIMAL TOLERANCE: **1/32" HOLE: **1/32" ANGULAR: **2" SURFACE FINISH: X = # 200, Y = # 400, Z = # 800 TOLERANCE: .XX = # .001		DRAWN: [ ] DESIGNED: [ ] SCALE: [ ] DO NOT SCALE DRAWING PART NUMBER: [ ] REV: [ ]	DATE: 07/29/11 07/29/10 07/06/10	PROJ. NAME: CENTRIFUGAL SAND SEPARATORS PROJ. NO.: [ ] TITLE: ACS-R60LA SEPARATOR
THIS DRAWING EMBODIES A CONFIDENTIAL, PROPRIETARY DESIGN ORIGINATED BY RAIN BIRD CORPORATION. ALL RIGHTS ARE RESERVED. NO PART OF THIS DRAWING IS TO BE REPRODUCED, COPIED, OR TRANSMITTED IN ANY FORM OR BY ANY MEANS, ELECTRONIC OR MECHANICAL, INCLUDING PHOTOCOPYING, RECORDING, OR BY ANY INFORMATION STORAGE AND RETRIEVAL SYSTEM, WITHOUT THE EXPRESS WRITTEN PERMISSION OF RAIN BIRD CORPORATION. ACCEPTING THIS DRAWING FOR SUPPLY OR DISCLOSE ANY INFORMATION REGARDING IT TO ANY UNAUTHORIZED PARTY IS STRICTLY PROHIBITED. ALL PATENT RIGHTS HERETO ARE EXPRESSLY RESERVED.		DRAWING NUMBER: RBF060 A PART NO.: [ ] SHEET NO.: 1 OF 1		