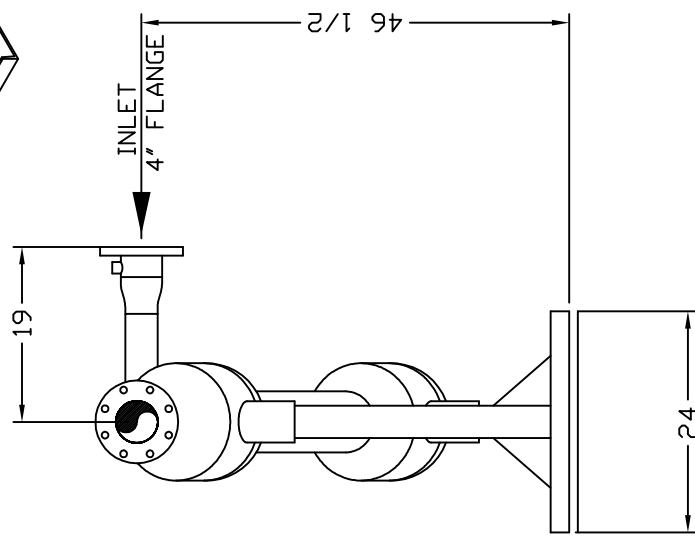
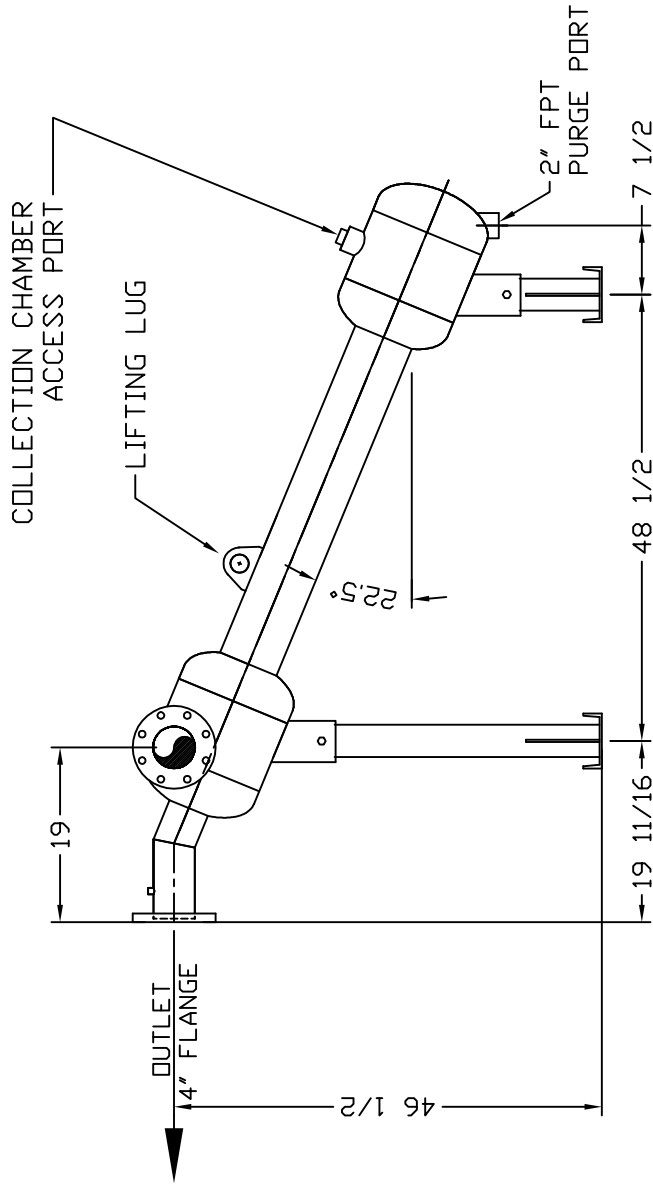
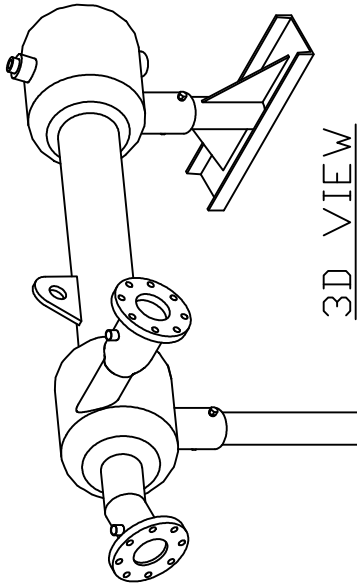


SEPARATOR ACS-R-40LA

CLOCKWISE ROTATION



FLOW RATE: 200-525 GPM
 MAX PRESSURE: 150 PSI MAX
 MIN BACK PRESSURE: 15 PSI

UNLESS OTHERWISE SPECIFIED:		DRAWING DATE	PROJ. NAME
FRACTIONAL TOLERANCE	DESIGNED	07/20/11	CENTRIFUGAL SAND SEPARATORS
DROLLED	SCALE	09/26/10	PROJ. NO.
ANGULAR	DO NOT SCALE DRAWING		DRAWING NUMBER
DECIMAL TOLERANCE	LAST MODIFIED IN VERSION		RBF059 A
	TYPE: PARTS		PART NO. REV.
			SHEET 1 OF 1

RAIN-BIRD SYSTEMS MFG. DIV. TUCSON, ARIZONA	
TITLE	ACS-R40LA SEPARATOR

NOTE: DRAWING CONSIDERS A CONFIDENTIAL PROPRIETARY DESIGN ORIGINATED BY RAIN BIRD CORPORATION. ALL DESIGN, MANUFACTURING, USE AND SALE RIGHTS RESERVED. NO PART OF THIS DRAWING IS TO BE REPRODUCED OR TRANSMITTED IN ANY FORM OR BY ANY MEANS, ELECTRONIC OR MECHANICAL, WITHOUT PERMISSION IN WRITING FROM RAIN BIRD CORPORATION. THE RECIPIENT AGREES TO HOLD THIS INFORMATION CONFIDENTIAL AND TO NOT DISCLOSE ANY INFORMATION REGARDING IT TO ANY UNAUTHORIZED PERSON, OR TO INCORPORATE IT IN OTHER PROJECTS ANYWHERE. ALL RIGHTS HERETO ARE EXPRESSLY RESERVED.