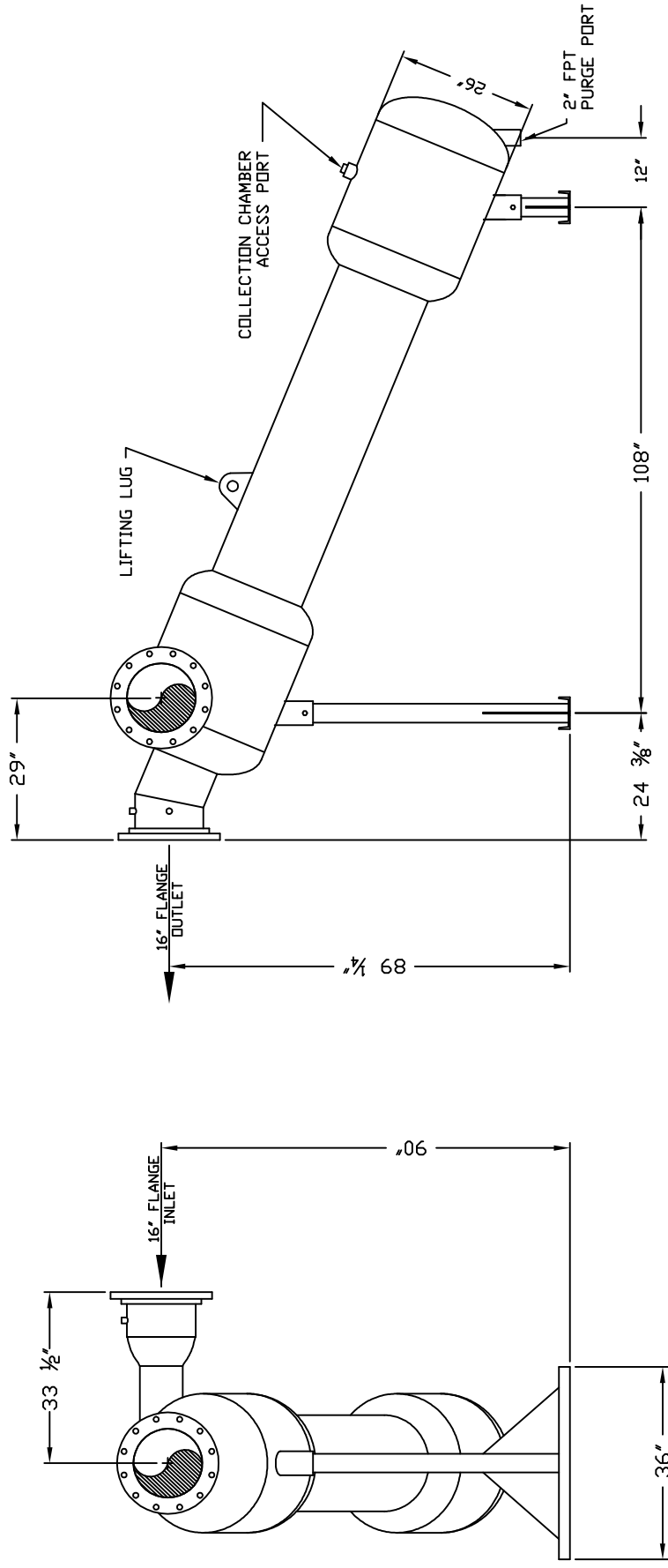


# SEPARATOR ACS-R160LA



FLOW RATE: 4000-6200 GPM  
 MAX PRESSURE: 150 PSI MAX  
 MIN BACK PRESSURE: 15 PSI

UNLESS OTHERWISE SPECIFIED: FRACTIONAL DIMENSIONS: **1/8" TOLERANCE: ±0.005 DRILLED HOLE Ø: ±0.005 ANGULAR: ±0.005 SURFACE FINISH: ±0.005		DRAWN: J. BIRD DESIGNED: J. BIRD SCALE: AS SHOWN DATE: 07/20/11 APPROVED: J. BIRD DATE: 07/20/11	PROJECT NAME: CENTRIFUGAL SAND SEPARATORS PROJECT NO.: DRAWING NUMBER: RBF065 PART NO.: REV.: SHEET 1 OF 1
THIS DRAWING EMBODIES A CONFIDENTIAL PROPRIETARY DESIGN, MANUFACTURING PROCESS, AND SALE RIGHTS. ALL RIGHTS ARE EXPRESSLY RESERVED. IT IS NOT TO BE REPRODUCED, COPIED, OR TRANSMITTED IN ANY FORM OR BY ANY MEANS, ELECTRONIC OR MECHANICAL, INCLUDING PHOTOCOPYING, RECORDING, OR BY ANY INFORMATION STORAGE AND RETRIEVAL SYSTEM, WITHOUT THE WRITTEN PERMISSION OF THE DESIGNER. ACCEPTING THIS DRAWING NOT TO SUPPLY OR DISCLOSE ANY INFORMATION TO ANY OTHER PROJECTS ANY SPECIAL FEATURE UNLESS SPECIFICALLY NOTED IN THIS DESIGN. ALL PATENT RIGHTS ARE EXPRESSLY RESERVED.		TITLE: ACS-R160LA SEPARATOR DIVISION: TUCSON, ARIZONA PROJECT NO.: DRAWING NO.: RBF065 PART NO.: REV.:	PROJECT NAME: CENTRIFUGAL SAND SEPARATORS PROJECT NO.: DRAWING NUMBER: RBF065 PART NO.: REV.: SHEET 1 OF 1