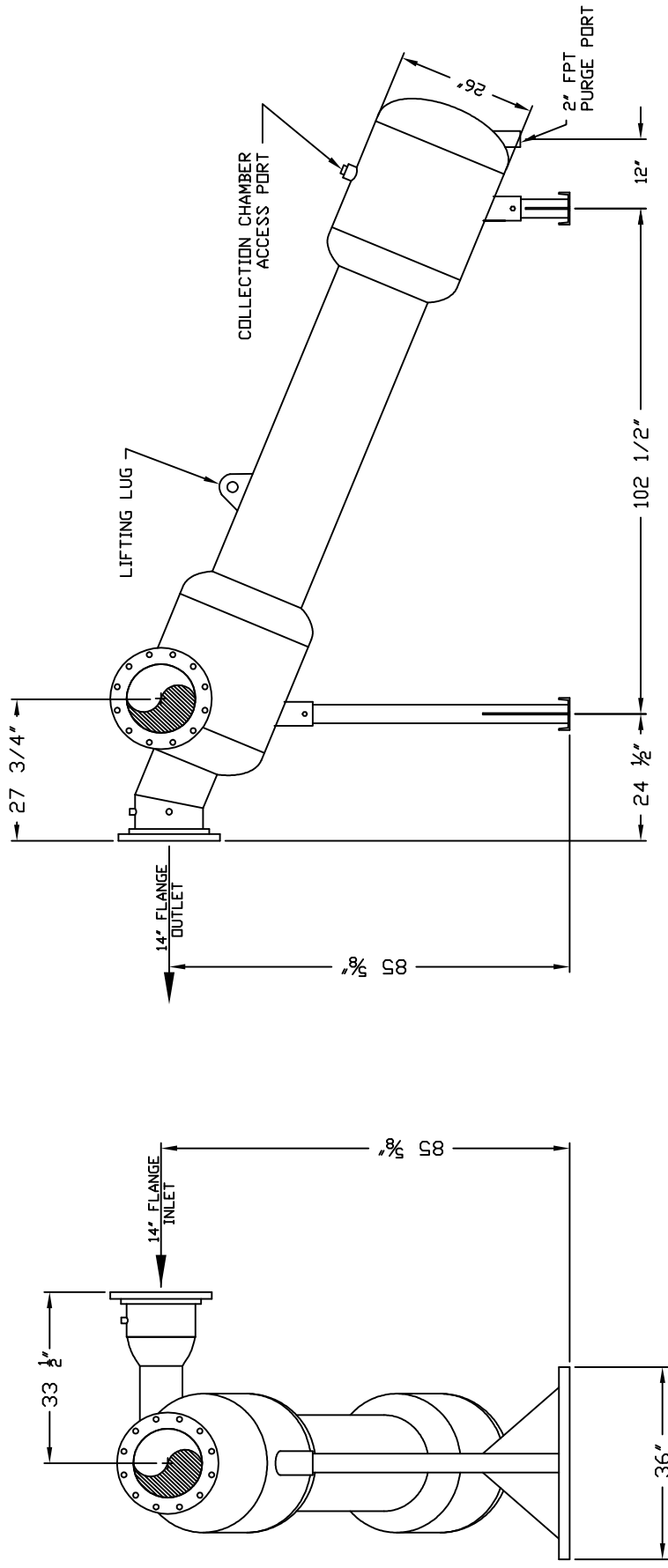


SEPARATOR ACS-R140LA



FLOW RATE: 2975-5000 GPM
 MAX PRESSURE: 150 PSI MAX
 MIN BACK PRESSURE: 15 PSI

UNLESS OTHERWISE SPECIFIED: FRACTIONAL DIMENSIONS: **1/8" TOLERANCE: ±0.005 DRILLED HOLE Ø: ±0.005 ANGLAR: ±0.005 SURFACE FINISH: ±0.005 REFERENCE: ±0.005		DRAWN: [Blank] CHECKED: [Blank] SCALE: [Blank] DATE: 07/20/11 APPROVED: 09/06/10	PROJECT NAME: CENTRIFUGAL SAND SEPARATORS PROJECT NO.: [Blank]
THIS DRAWING embodies a CONFIDENTIAL PROPRIETARY DESIGN, MANUFACTURING, USE, AND SALE RIGHTS ARE RESERVED. THE SAME ARE EXPRESSLY RESERVED TO THE ORIGINAL DESIGNER AND THE RECIPIENT HEREBY ACCEPTS THIS DRAWING NOT TO BE REPRODUCED OR DISCLOSED IN ANY MANNER WITHOUT THE WRITTEN PERMISSION OF THE ORIGINAL DESIGNER. ALL PATENT RIGHTS ARE RESERVED.		TITLE: ACS-R140LA SEPARATOR DRAWING NUMBER: RBF064 PART NO.: [Blank]	PROJECT NO.: [Blank]
SHEET 1 OF 1		REV. 1	