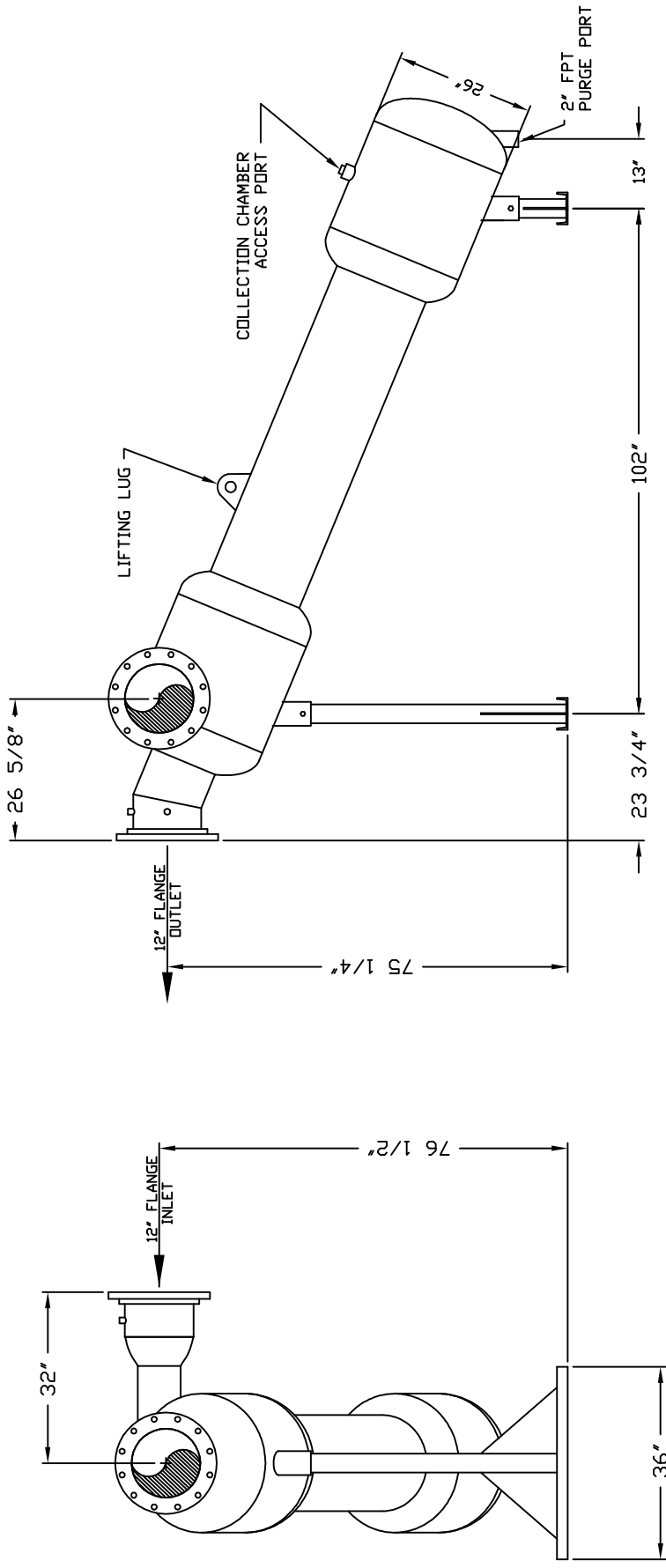


# SEPARATOR ACS-R-120LA



FLOW RATE: 2025-3400 GPM  
 MAX PRESSURE: 150 PSI MAX  
 MIN BACK PRESSURE: 15 PSI

UNLESS OTHERWISE SPECIFIED: FRACTIONAL TOLERANCE: **1/8" DECIMAL TOLERANCE: **1/32" DRILLED HOLE Ø: **2" ANGULAR: X = ±.007, Y = ±.009 SURFACE FINISH: SA = 2.500, SB = 2.500		DRAWN: [ ] DESIGNED: [ ] SCALE: [ ] DIM. UNIT: SCALE DRAWING LAST MODIFIED IN: VESIBOR APPROVED: [ ] DESIGNED BY: [ ]	DATE OF: 02/11 DATE: 02/06/10	PROJECT NAME: CENTRIFUGAL SAND SEPARATORS PROJECT NO.: [ ]
THIS DRAWING EMBODIES A CONFIDENTIAL PROPRIETARY DESIGN. REPRODUCTION, COPIING, OR SALE OF THIS DRAWING OR ANY PART THEREOF WITHOUT THE WRITTEN PERMISSION OF RAIN BIRD SYSTEMS, INC. IS STRICTLY PROHIBITED. ACCEPTING THIS DRAWING NOT TO SUPPLY OR DISCLOSE ANY INFORMATION TO ANY OTHER PARTY OR TO REPRODUCE OR TO INCORPORATE IN OTHER PRODUCTS ANY SPECIAL FEATURE, UNLESS SO INDICATED IN THIS DESIGN, ALL PATENT RIGHTS HEREIN ARE EXPRESSLY RESERVED.		TITLE: ACS-R120LA SEPARATOR DRAWING NUMBER: RBF063 PART NO.: [ ] REV.: [ ]	PROJECT NAME: CENTRIFUGAL SAND SEPARATORS PROJECT NO.: [ ]	TITLE: ACS-R120LA SEPARATOR DRAWING NUMBER: RBF063 PART NO.: [ ] REV.: [ ]