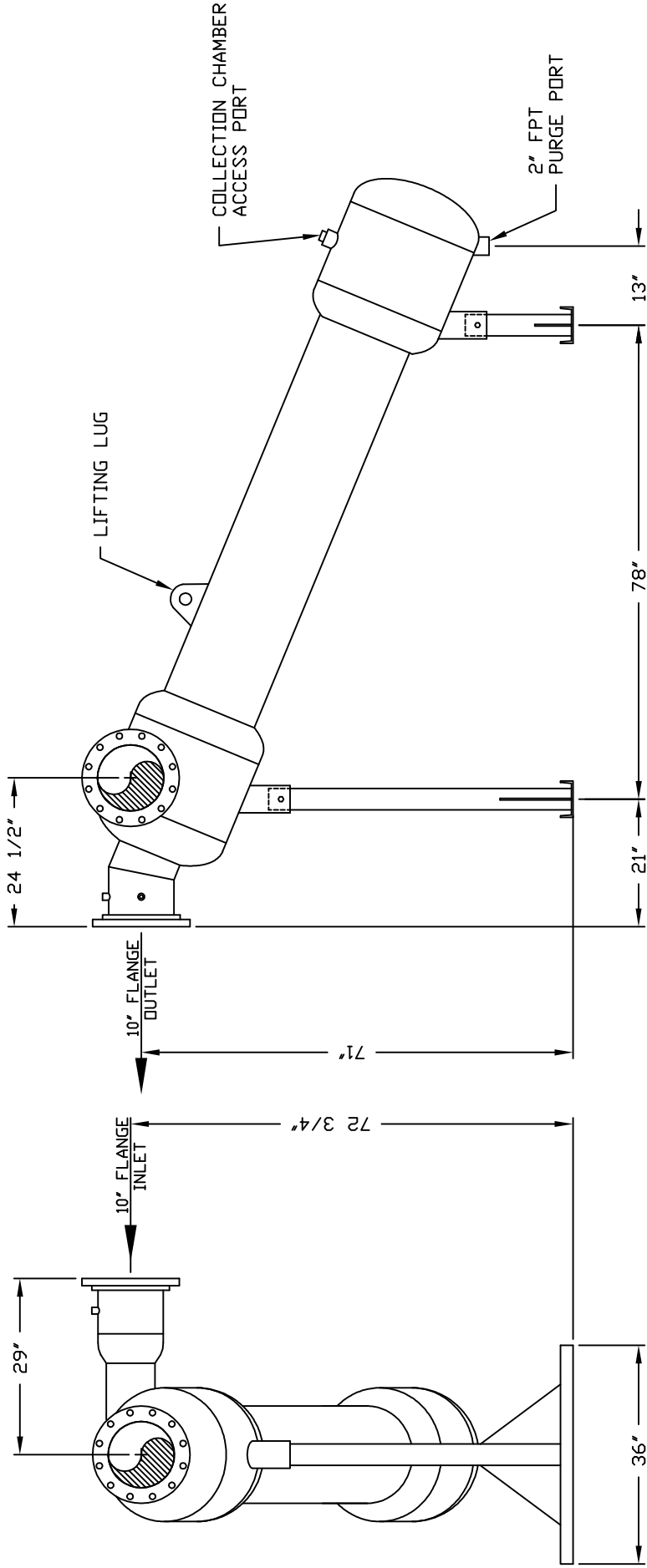


# SEPARATOR ACS-R-100LA



FLOW RATE: 1300-2300 GPM  
 MAX PRESSURE: 150 PSI MAX  
 MIN BACK PRESSURE: 15 PSI

<b>UNLESS OTHERWISE SPECIFIED</b> FRACTIONAL TOLERANCE: ±1/8" DECIMAL TOLERANCE: ±0.005" DRILLED HOLE Ø: ±0.002" ANGULAR: ±0.007° SURFACE FINISH: SA 2.5		DRAWN: [ ] CHECKED: [ ] SCALE: [ ] DATE: [ ]	PROJECT NAME: CENTRIFUGAL OIL SEPARATORS PROJECT NO.:
<b>NOTE:</b> THIS DRAWING EXEMPTS A CONFIDENTIAL PROPRIETARY DESIGN, MANUFACTURING USE AND SALE RIGHTS ARE RESERVED. THIS DRAWING IS NOT TO BE REPRODUCED OR TRANSMITTED IN ANY FORM OR BY ANY MEANS, ELECTRONIC OR MECHANICAL, INCLUDING PHOTOCOPYING, RECORDING, OR BY ANY INFORMATION STORAGE AND RETRIEVAL SYSTEM. WITHOUT THE WRITTEN PERMISSION OF THE DESIGNER, NO PART OF THIS DRAWING IS TO BE REPRODUCED OR TRANSMITTED IN ANY FORM OR BY ANY MEANS, ELECTRONIC OR MECHANICAL, INCLUDING PHOTOCOPYING, RECORDING, OR BY ANY INFORMATION STORAGE AND RETRIEVAL SYSTEM.		TITLE: ACS-R100LA SEPARATOR	DRAWING NUMBER: RBF 062 PART NO.: REV:
PROJECT NAME: CENTRIFUGAL OIL SEPARATORS PROJECT NO.:		DATE: [ ] DRAWING NO.: [ ] PART NO.: [ ] REV: [ ]	SHEET 1 OF 1