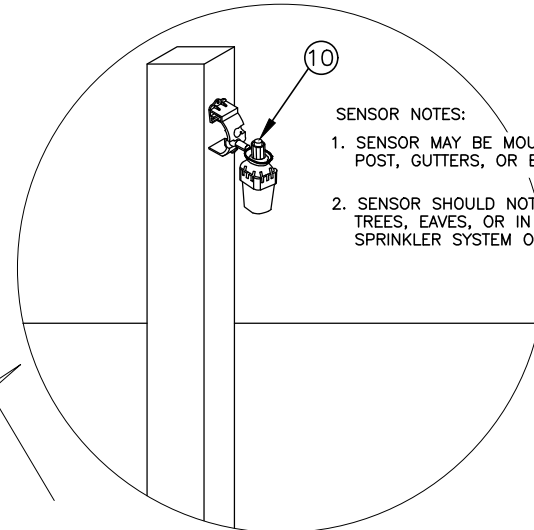


NOTES:

1. ESP-LXMEF CONTROLLER IS AVAILABLE IN 8- OR 12-STATION BASE MODELS. ADDITIONAL MODULES IN 8- AND 12-STATION VERSIONS MAY BE ADDED TO BRING THE CONTROLLER UP TO 48 STATIONS MAXIMUM.
2. FOR EASE OF INSTALLATION INTO A CONTROLLER WITH MORE THAN 24 STATIONS, INSTALL A JUNCTION BOX AT THE BASE OF CONTROLLER AND TRANSITION LARGER VALVE AND COMMON WIRES FROM FIELD TO 18 AWG MULTI CONDUCTOR WIRE TO BE USED IN CONTROLLER.
3. USE STEEL CONDUIT FOR ABOVE GRADE AND SCH 40 PVC CONDUIT FOR BELOW GRADE CONDITIONS.
4. PROVIDE PROPER GROUNDING COMPONENTS TO ACHIEVE GROUND RESISTANCE OF 10 OHMS OR LESS.



SENSOR NOTES:

1. SENSOR MAY BE MOUNTED ON FENCE, FENCE POST, GUTTERS, OR BUILDING WALLS.
2. SENSOR SHOULD NOT BE MOUNTED UNDER TREES, EAVES, OR IN AREAS AFFECTED BY SPRINKLER SYSTEM OPERATION.

- ① IRRIGATION CONTROLLER:
RAIN BIRD ESP-LXMEF CONTROLLER WITH FLOW SMART MODULE IN PLASTIC CABINET WITH WALL MOUNT. INSTALL CONTROLLER AND CABINET ON WALL PER MANUFACTURER'S RECOMMENDATIONS.
- ② JUNCTION BOX
- ③ 1-INCH CONDUIT AND FITTINGS TO POWER SUPPLY
- ④ POWER SUPPLY WIRE
- ⑤ 2-INCH CONDUIT AND FITTINGS FOR STATION WIRES
- ⑥ MASTER VALVE AND REMOTE CONTROL VALVE WIRES
- ⑦ FLOW SENSOR WIRE (PE 39, 89 OR 54) TO FLOW SENSOR
- ⑧ CABLE HARNESS FOR CONTROLLER INTERFACE (30" MAXIMUM)
- ⑨ RAIN BIRD WR2 WIRELESS SENSOR CONTROLLER INTERFACE
 1. FOR BEST PERFORMANCE, THE CONTROLLER INTERFACE SHOULD BE INSTALLED AT LEAST FIVE FEET ABOVE THE GROUND.
 2. IT IS RECOMMENDED THAT THE CONTROLLER INTERFACE BE INSTALLED AWAY FROM SOURCES OF ELECTRICAL INTERFERENCE (SUCH AS TRANSFORMERS, GENERATORS, PUMPS, FANS, ELECTRICAL METER BOXES) AND METAL OBJECTS TO MAXIMIZE COMMUNICATION RANGE.
- ⑩ RAIN BIRD WR2 SENSOR

ESP-LXMEF CONTROLLER WITH FLOW SMART MODULE

10-05-18

D

N.T.S. IN PLASTIC CABINET with WR2 SENSOR