

GENERAL NOTES:

- 1 RAIN BIRD ESP4SMTEI INSIDE WALL MOUNT
- 2 1-INCH PVC SCH 40 CONDUIT AND FITTINGS
- 3 WIRES TO REMOTE CONTROL VALVES AND SENSOR
- 4 STANDARD MODULE FOR 4-STATION CONTROLLER
- 5 OPTIONAL MODULES FOR 22-STATION CONTROLLER
- 6 120 VAC, 60 HZ EXTERNAL PLUG-IN TRANSFORMER
- 7 CONNECTION FOR WIRES FROM SENSOR

CHOOSING CONTROLLER FEATURES

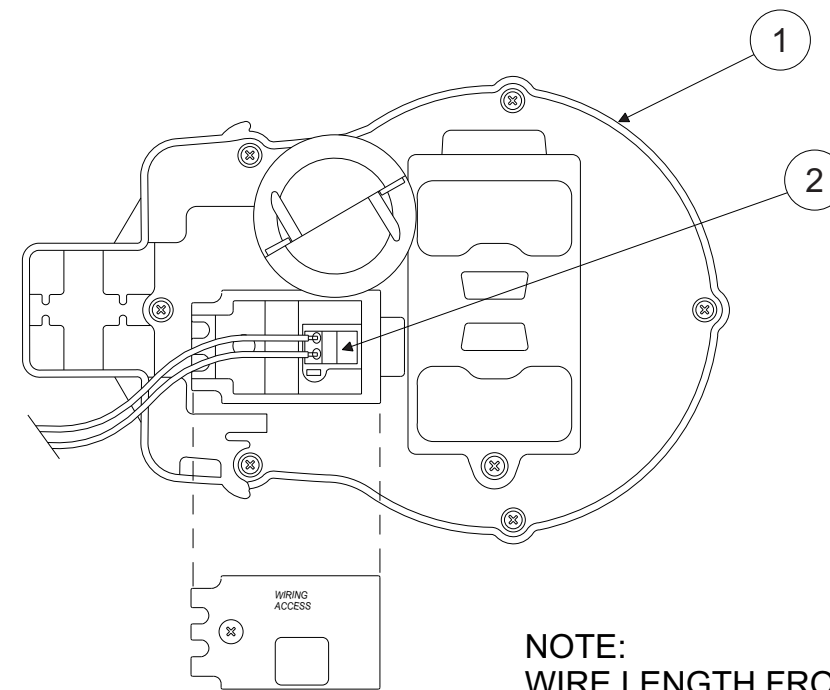
SELECTING THE MODEL
TO SELECT THE DESIRED MODEL
TURN ON ONE OF THE FOLLOWING LAYERS:

- OPTION-4-STATION
- OPTION-7-STATION
- OPTION-10-STATION
- OPTION-13-STATION
- OPTION-16-STATION
- OPTION-19-STATION
- OPTION-22-STATION

TO SELECT "INDOOR" OR "OUTDOOR" OPTION,
TURN ON ONE OF THE FOLLOWING LAYERS

- OPTION-INDOOR
- OPTION-OUTDOOR

TO TURN OFF THIS INSTRUCTION BOX,
TURN OFF LAYER "INSTRUCT-OPTION".



SENSOR DETAIL:

- 1 ESP-SMTE SENSOR (BOTTOM VIEW)
- 2 CONNECTION FOR WIRES FROM CONTROLLER

NOTE:
WIRE LENGTH FROM CONTROLLER TO
SENSOR NOT TO EXCEED 200 FEET.