

Ref. Part Description 29JH

UPPER ASSEMBLY

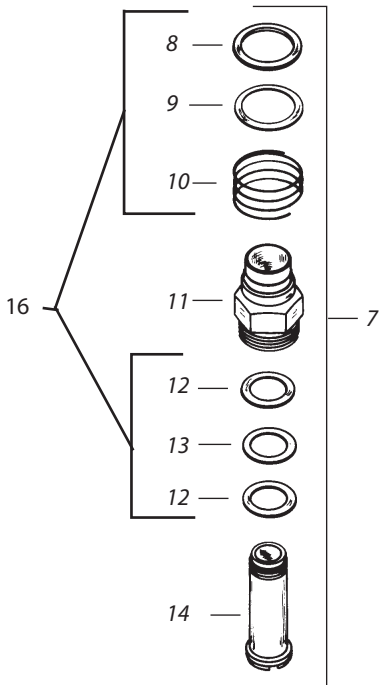
1	Fulcrum Kit	177417
2	Fulcrum Pin	(100271)
3	Arm Hood	(100968)
6	Arm Washer	(100270)
4	Arm Spring Assembly	177526
5	Arm Spring	(231061)

NOZZLES (Specify nozzle size when ordering)

15	Straight Bore	105842xx
----	---------------	-----------------

BEARING ASSEMBLY (H Style)

7	Bearing Assembly	104919
8	Top Seal Washer (White)	(100279)
9	Metal Top Seal Washer	(100280)
10	Bearing Spring	(100272)
11	Bearing Sleeve (Brass)	177510
12	Bearing Washer (2) (Black)	(104181)
13	Wear Washer (Orange)	(104184)
14	Bearing Nipple	177516
16	Bearing Washer Kit	179990
8	Top Seal Washer (White)	(100279)
9	Metal Top Seal Washer	(100280)
10	Bearing Spring	(100272)
12	Bearing Washer (2) (Black)	(104181)
13	Wear Washer (Orange)	(104184)



Note: Part numbers enclosed in brackets () are not available individually, but may be sold in assemblies or kits.