



SA Series – Swing Assemblies

Primary Applications

Connects heads to lateral pipes. This low-cost, reliable, and flexible connection prevents heads or pipes from breaking when run over by equipment and allows easy adjustment of the heads to grade.

Features and Benefits

- **Preassembled units save the contractor time and reduce installation costs**
- **Swing arm lengths allow quick adjustment of spray heads to grade preventing damage from lawn equipment**
- **Quad Swing Assembly is the most adaptable product, making installation of spray heads on inclines fast and easy**

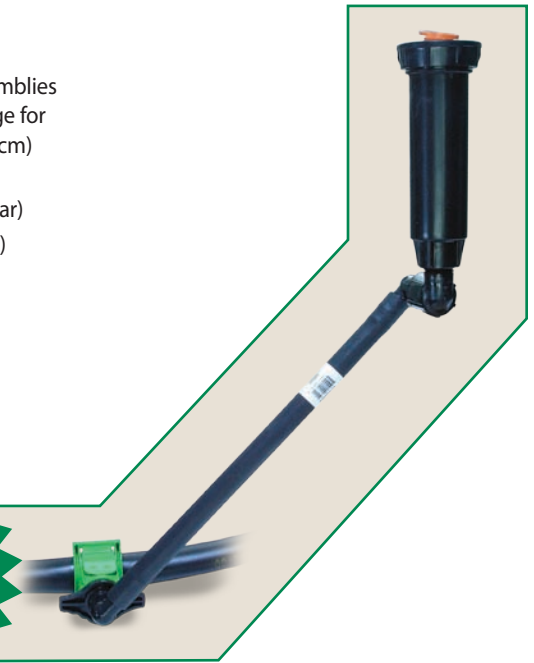
Specifications

The operating range of the swing assemblies matches or exceeds the operating range for most 1/2" (1,3 cm) sprays and 3/4" (1,9 cm) rotors.

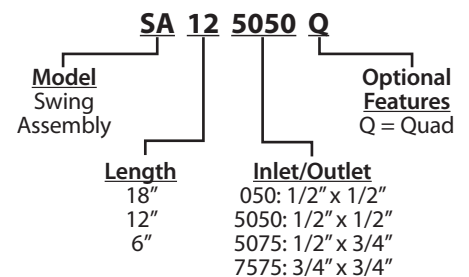
- Operating pressure up to 80 psi (5,5 bar)
- Surge pressure up to 240 psi (16,6 bar)
- Temperature up to 110° F (43° C)
- Maximum flow is 8 gpm (0.5 l/sec)
- Pressure loss at 6 gpm (0.38 l/sec) is 2.0 psi (0.14 bar)

Unique Rain Bird system offering:

Swing Assemblies,
Saddle Tees, and
Spray Heads



How to Specify/Order



SA Series Swing Assemblies Specifications

Model Number	Part Number	Length		Inlet		Outlet		Notes
		US	METRIC	US	METRIC	US	METRIC	
SA-6050-P	A48030P	6"	15,2 cm	1/2"	1,3 cm	1/2"	1,3 cm	PALLET PACK
SA-6050	A48030	6"	15,2 cm	1/2"	1,3 cm	1/2"	1,3 cm	-
SA-65050Q	A48070	6"	15,2 cm	1/2"	1,3 cm	1/2"	1,3 cm	QUAD
SA-65075	A48055	6"	15,2 cm	1/2"	1,3 cm	3/4"	1,9 cm	-
SA-125050	A48035	12"	30,5 cm	1/2"	1,3 cm	1/2"	1,3 cm	-
SA-125050Q	A48075	12"	30,5 cm	1/2"	1,3 cm	1/2"	1,3 cm	QUAD
SA-125075	A48045	12"	30,5 cm	1/2"	1,3 cm	3/4"	1,9 cm	-
SA-127575	A48050	12"	30,5 cm	3/4"	1,9 cm	3/4"	1,9 cm	-
SA-185050	A48065	18"	45,7 cm	1/2"	1,3 cm	1/2"	1,3 cm	-

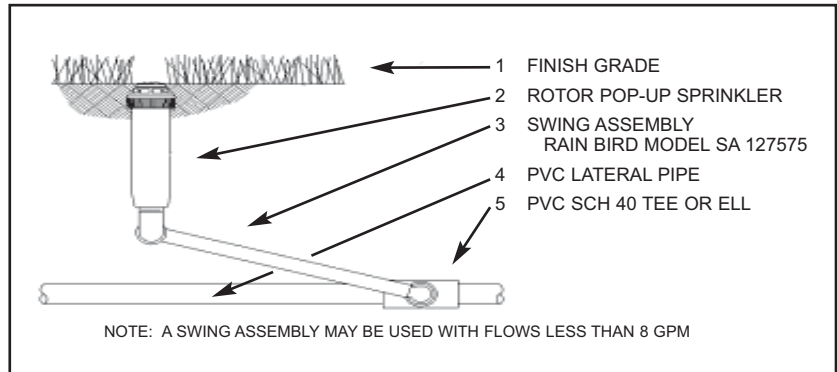
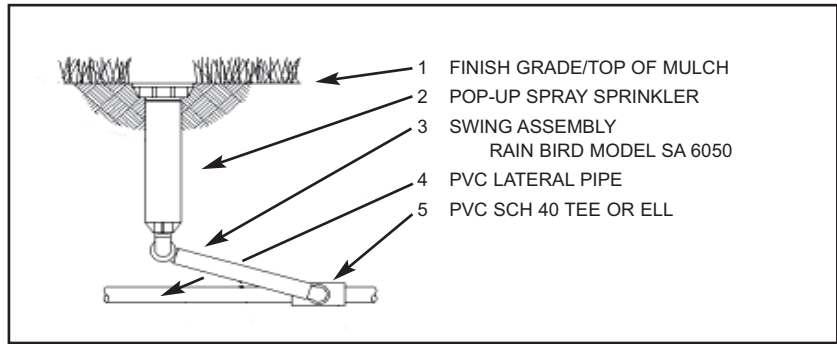
Specifications

SA Series – Swing Assemblies

The Swing Assemblies shall be used as a flexible swing joint assembly for 1/2" (1,3 cm) and 3/4" (1,9 cm) inlet sprinklers.

The pipe shall be flexible black tubing constructed of linear low density polyethylene material. The tubing shall have a wall thickness of 0.090". It shall have an inside diameter of 0.490". The fittings shall be constructed of UV-resistant, thermoplastic material. The model and logo shall be along the length of the tubing.

The Swing Assembly shall have an operating pressure rating of 80 psi at 110° F (5,5 bar at 43° C). The Swing Assembly shall be manufactured by Rain Bird Corporation, Glendora, California.



Rain Bird Corporation
6991 E. Southpoint Road
Tucson, AZ 85706
Phone: (520) 741-6100
Fax: (520) 741-6522

Rain Bird Technical Services
(800) RAINBIRD (U.S. and Canada)

Rain Bird Corporation
970 West Sierra Madre Avenue
Azusa, CA 91702
Phone: (626) 812-3400
Fax: (626) 812-3411

Specification Hotline
800-458-3005 (U.S. and Canada)

Rain Bird International, Inc.
P.O. Box 37
Glendora, CA 91740-0037
Phone: (626) 963-9311
Fax: (626) 852-7343

www.rainbird.com