

CLP Series - Boost

Compact Low Profile 5HP VFD Pump Station

5 HP; Up to 53 psi boost; Up to 120 gpm

Rain Bird's CLP Series pump station is designed for boost and flooded suction applications. The CLP Series is a complete pump package that is simple to install and operate. It includes a professional-grade pump, a marine-grade aluminum enclosure, highest quality pump protection, and optional mounting for a Rain Bird controller. Home owner associations, small sports fields, schools, parks, and small agricultural projects are ideal applications. The CLP Series compact design, durable centrifugal boost pump, and ease of installation, make this a perfect solution for applications with flows up to 140 gpm. With this complete solution there is no need to deal with the hassle of stick building a pump station with non-compatible parts and a makeshift enclosure. Only Rain Bird provides a totally integrated irrigation solution with UL listed components and a one year warranty that dependably deliver healthy, beautiful landscapes, saving time and minimizing maintenance.

At-A-Glance Description

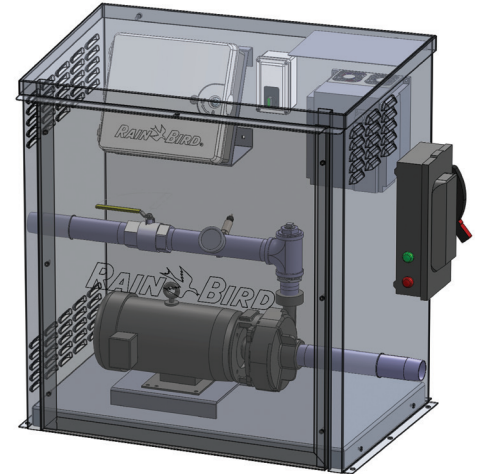
- **Variable Frequency Drive (VFD)**
- **Pump Start Relay** included
- **Aluminum Deck and Enclosure**
- **Stainless Steel Piping**
- **Isolation Valve** for maintenance
- **Manual Switch** provides user full control and override capabilities
- **2" – Discharge, 2" Intake NPT**
- **Available in single and three phase 208V, 220V, 230V VAC configurations**
- **Mounting options for Rain Bird Controllers** (purchased separately)

Features

- **Plumbing Configurations**
 - Inlet and discharge piping on opposite sides of the enclosure (as shown)
 - ¾" and 2" Boost Ports Included
- **Mechanical Features**
 - Isolation valve
 - Liquid filled pressure gauge
 - Rugged centrifugal pump
- **Enclosures / External Connections**
 - Marine grade aluminum enclosure
 - Marine grade aluminum deck

- Stainless Steel piping
- Fused main power disconnect
- **Pump Control**
 - Runs based on signal from irrigation controller.
 - 24VAC Pump start relay included. Other voltages available as an accessory.
 - 130 °F Temperature cutout switch
- **Electrical Features**
 - Incoming power: Single or three phase 208V, 220V, 230V AC
 - TEFC Motor
 - UL listed components
- **Energy efficient – Variable Frequency Drive (VFD) maintains constant pressure at varying flow demand.**
 - Stainless steel pressure transducer
 - Red light for VFD alarms
 - Green pump running light
 - Pipe fill mode reducing pressure surge at pump start up
 - Programmable override pump speed
 - Loss of prime and pipe break alarm
 - Dead head shut down
 - Transducer loss shut down
- **Back panel for mounting Rain Bird controllers**
 - Pre-drilled for ESP-Me, ESP-LXMe, and ESP-LXD Series Controllers. (**Rain Bird controller purchased separately**)

Pipe fill mode reducing surge at pump start up!

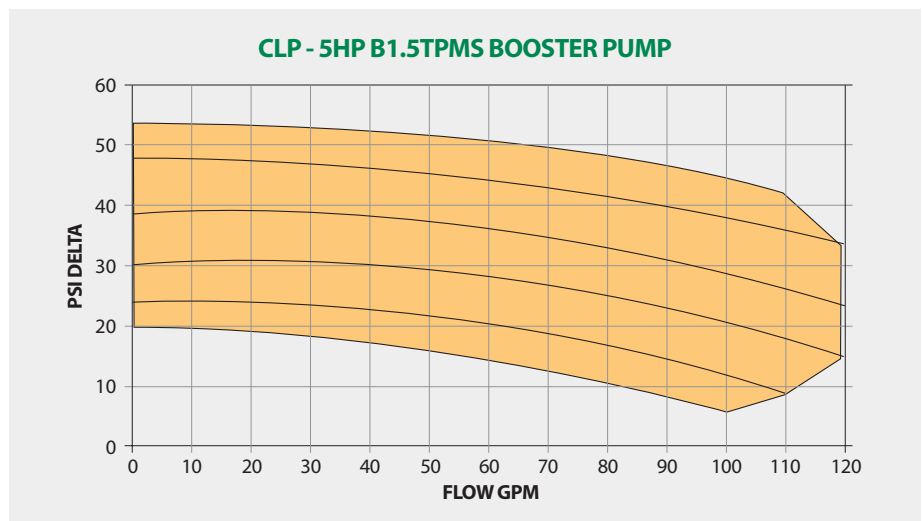


Shown w/ Optional Rain Bird Controller. (Ordered Separately)

- **Separate** independent power feed required to power controller.
- Mounted inside or outside aluminum enclosure

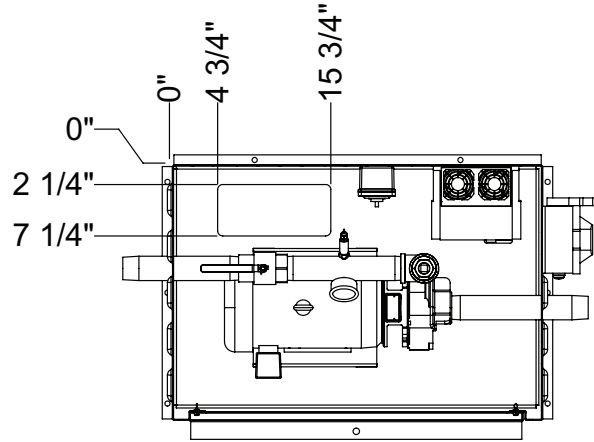
Accessories

- **Pump Start Relay**
 - 6VDC, 12VDC
- **Surge Suppression Kit**
 - Single Phase (208-230 VAC)
 - Three Phase (208-230 VAC)

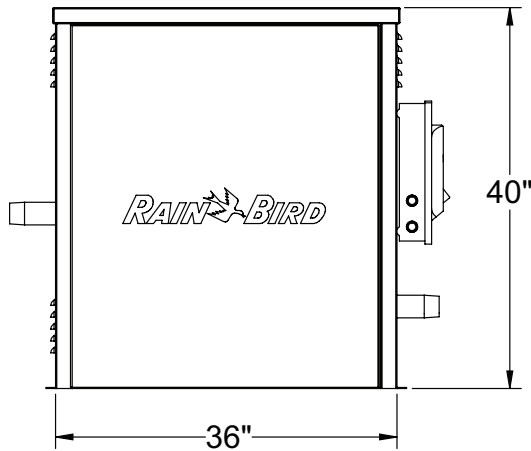


System Discharge Pressure = Incoming Pressure + Pressure gain from pump.

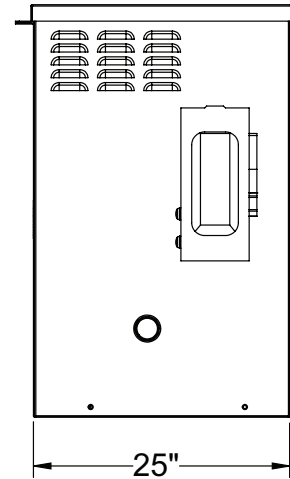
Details



Plan View



Profile View



Side View