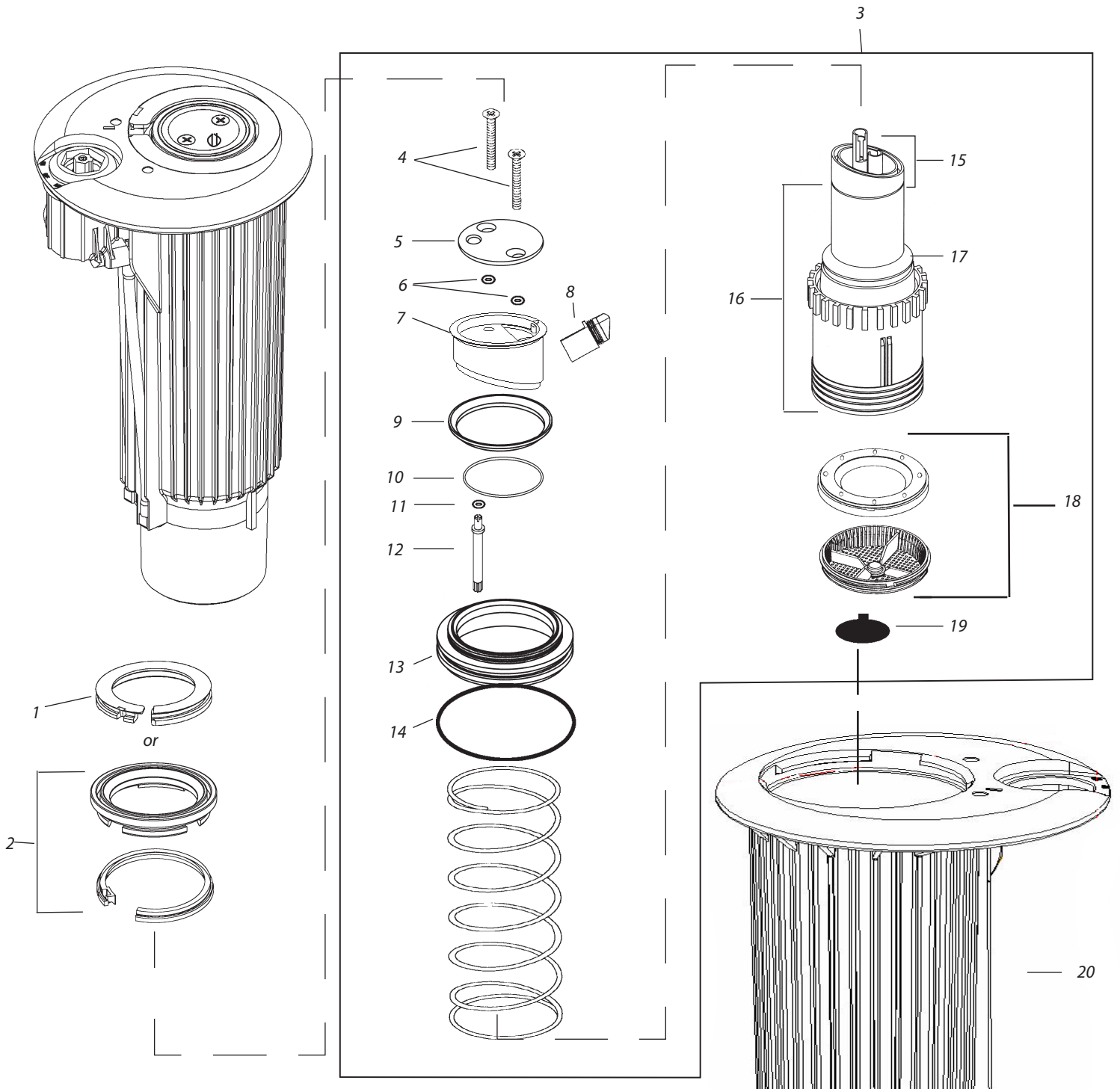


EAGLE 550 INTERNAL ASSEMBLY



Note: Part numbers enclosed in brackets () are not available individually, but may be sold in assemblies or kits.

Ref.	Part Description	Qty.	550-E	550-S/H	550B
SNAP RINGS					
1	Snap Cover (excluding BRC)	1	211921-01	211921-01	211921-01
2	Rubber Cover Kit	1	212551	212551	211355
INTERNAL ASSEMBLY					
3	Internal Assembly (A)	1	211581-xx	211581-xx (B)	211581-xx
COVER ASSEMBLY					
4	Self-Tapping Screw	2	210974	210974	210974
5	Housing Cover	1	211281	211281	211281
6	Screw O-ring	2	211236	211236	211236
NOZZLES					
7	Nozzle Housing- Black (C)	1	210356-01	210356-01	210356-01
8	Range Nozzle Assembly (A)	1	210500-xx	210500-xx	210500-xx
9	Retract Seal	1	210354	210354	210354
18	Stator / Screen Kit	1	210403-01	210403-01	210403-01
19	Seal-a-Matic™ Screen Assy(B/BRC Only)	1	-	-	211292
BEARING / RISER-MOTOR ASSEMBLY					
10	Nozzle Housing O-Ring	1	210366	210366	210366
11	Arc Adjustment Stem O-Ring	1	211236	211236	211236
12	Arc Adjustment Stem	1	210420	210420	210420
13	Bearing Guide Assy, STD	1	211147	-	-
13	Bearing Guide Assy, LO-FLOW (D)	1	-	211263	211263
14	Bearing Guide O-Ring	1	211242	211242	211242
15	Nozzle Base Replacement Kit w/ Seals	1	211841	211841	211841
16	Riser Motor Assembly	1	210535	210535	210535
17	Pop-up Seal (White)	1	210399	210399	210399
20	CASE ASSEMBLY See Catalog No. 464				

- (A) Specify Nozzle Size when ordering. Available in # 52, 53, 54.
- (B) Also requires Seal-a-Matic™ Screen Assy(B/BRC) Part # 211292
- (C) For non-potable applications use standard part and purple snap ring part # 211921-04
- (D) The LO-FLOW Bearing Guide #211263 may also be used on the 550 Series Electric rotor
- (E) For smooth case rotors use part # 211602

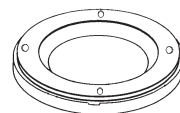
Ref.	KITS & Accessories	Qty.	P/N
1	Snap-Cover, Yellow		211921-02
1	Snap-Cover, White		211921-03
1	Snap-Cover, Purple (Non-Potable)		211921-04
Rubber Cover Kit (E/H/S)			(E)212551
2A	Rubber Cover, Snap Ring	1	
2B	Snap Ring, Upper	1	
5	Rubber Cover, Housing	1	
-	Rubber Case Cover (E/H/S)	1	
Rubber Cover Kit (B & BRC)			211355
2A	Rubber Cover, Snap Ring	1	
2B	Snap Ring, Upper	1	
5	Rubber Cover, Housing	1	
-	Rubber Case Ring (B case)	1	
5	Cover, Yardage Marker Blank (White)		211996-03
	Cover, Yardage Marker Blank (Black)		211996-01
Diffuser Screw Kit (#52 & 53 only)			211964-52
-	(Includes modified Range Nozzle)		211964-53
7	Nozzle Housing, Drilled & Tapped	1	
8	Range Nozzle Assy, Modified	1	
-	Diffuser Screw (not shown)	1	
5	Cover, (Notched)	1	
9	Retract Seal	1	
6	Screw O-Ring	2	
EAGLE's Tail Kit (Black) - without nozzle			212029
7	Housing, Nozzle, Drilled in back	1	
-	Close-in Spreader Nozzle, 700	1	211452
5	Housing Cover	1	
10	Retract Seal	1	
6	Screw O-Ring	2	
-	EAGLE's Tail Instruction Sheet	1	

Stator / Poppet Configurations

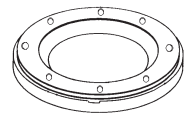
Color	Number	Electric Pressure Setting psi (bars)				Hyd, SAM, B
		60 (4,1)	70 (4,8)	80 (5,5)	100 (6,9)	
Beige	#52	S4	S4	S4	S4	S4
Gray	#53	S4	S4	S4	S4	S4
Red	#54	S8	S8	S8	S8	S8

S4 = Stator with 4 Holes S8 = Stator with 8 Holes

Stator with 4 Holes



Stator with 8 Holes



Note: Part numbers enclosed in brackets () are not available individually, but may be sold in assemblies or kits.