

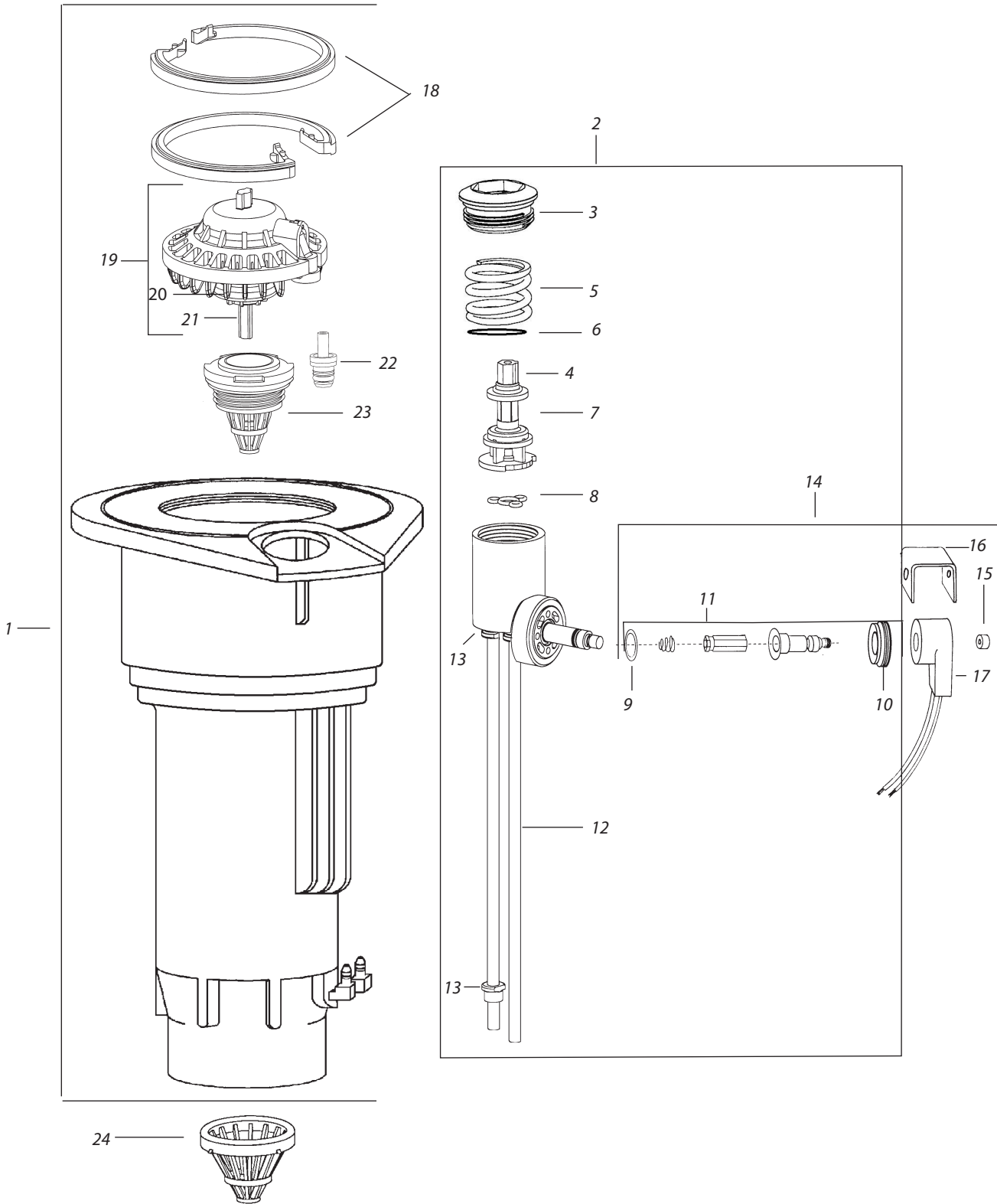
Note: Part numbers enclosed in brackets () are not available individually, but may be sold in assemblies or kits.

Ref.	Part Description	47DR/DS/DH
1	INTERNAL ASSEMBLY	(D)(204113-16)
COVER ASSEMBLY		
2	Cover Screws, Standard (2)	200974
3	Retainer, Steel	200740
4	Plastic Cover	(208227)
UPPER ASSEMBLY		
5	Arm/Body Assembly	(200130-16)
6	Fulcrum Pin	200076
7	Arm Spring Assembly	(203725)
8	Arm Hood	(200924)
9	Arm Spring	200089
10	Body	(200092)
TRIP MECHANISM		
11	Trip Repair Kit	(203719)
12	Inner Trip	(200060)
13	Outer Trip	(210251)
14	Trip Spring	209363
15	Trip Shaft	201932
16	Spacer Washers (8)	201933
17	E-Ring (1)	200975
NOZZLES (Specify nozzle sizes when ordering)		
18	Range Nozzle Assembly	(C) 200079
19	Vane	202143
BEARING ASSEMBLY		
20	Bearing Spring	(A) (200029)
21	Steel Top Seal Washer	(A) (200030)
22	Teflon Top Seal Washer	(B) (200031)
23	Buna-N Guide Seal (Black)	(A) (200042)
24	Zinc Washer Kit - Sacrificial Anode	211604
25	Upper Snap Ring	208395
26	Bearing Guide, Plastic	(207569)
-	Bearing Guide Ring	207415
27	Seal, Bearing Guide (Red)	211239
28	Retract Spring	201113
29	Friction Collars (2)	200164
30	Bearing Sleeve Assembly	(202068)
31	Buna-N Lower Seal (Black)	(B) (200036)
32	Bearing Sleeve	(202069)
33	Bearing Sleeve Pin	200064
34	Wear Ring (Gold)	(B) (201608)
35	Teflon Speed Washer (White)	(B) (202169)
36	Buna-N Washer Seal (Gray)	(B) (201562)
37	Bearing Nipple	(200037)
38	Part Circle Adapter	203936

- (A) Included in Upper Bearing Spring Washer Kit # 203731.
- (B) Included in Bearing Washer Kit # 203732.
- (C) Specify nozzle size: -14, -15, -16, -18
- (D) Substitute EAGLE'S Nest Internal Assy.

Note: Part numbers enclosed in brackets () are not available individually, but may be sold in assemblies or kits.

47DR / 47DS / 47DH / 51DR / 51DS / 51DH
 1PIECE CASE ASSEMBLY (POST 5/93)



Note: Part numbers enclosed in brackets () are not available individually, but may be sold in assemblies or kits.

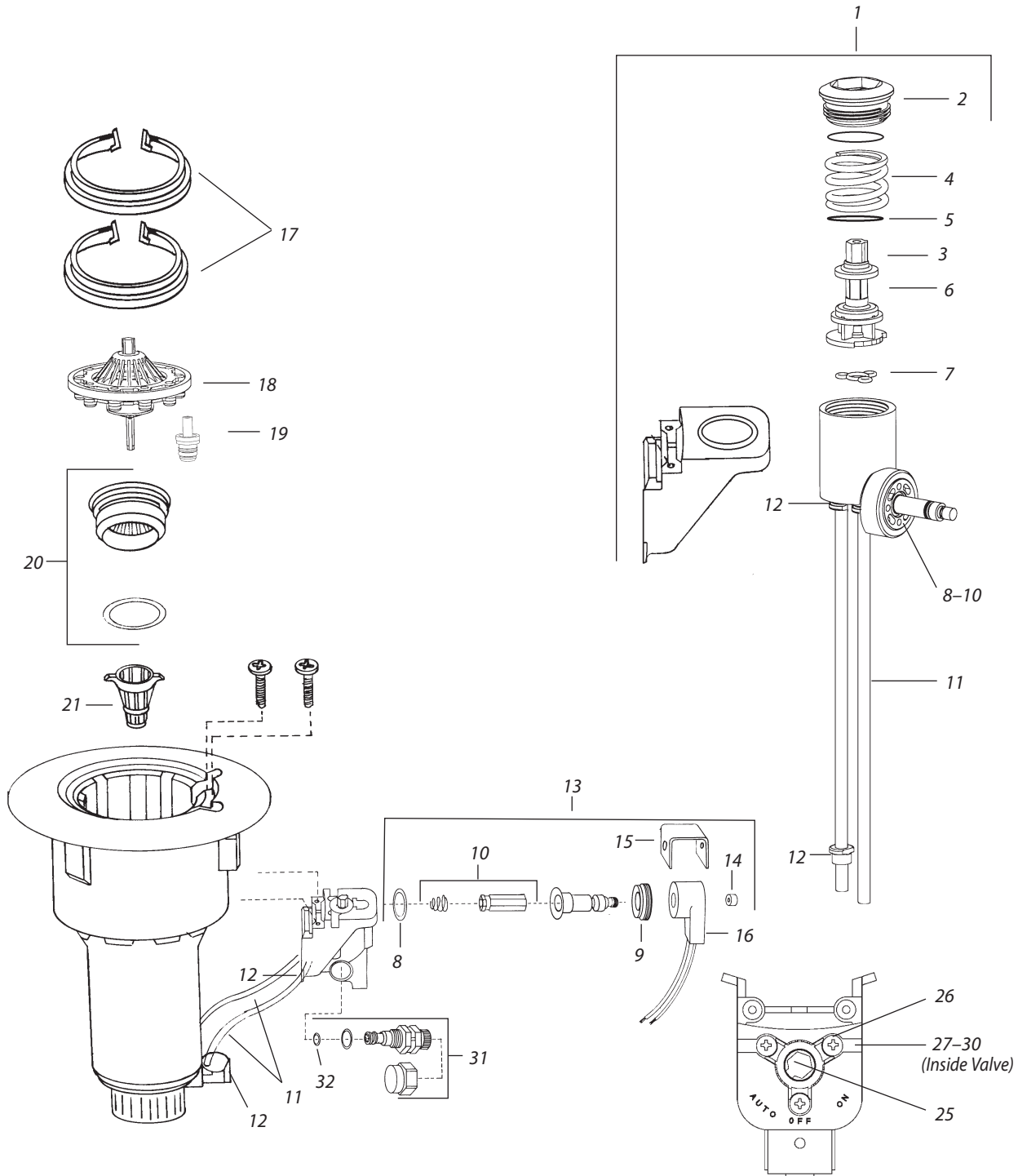
Ref. Part Description	47DR 51DR	47DS 51DS	47DH 51DH
CASE ASSEMBLIES			
1 Case Assembly (NPT)	207955-03	208456-01	(208564-01)
1 Case Assembly (BSP)	(207955-04)	(208456-02)	—
2 PRS/Selector Assembly	210808-03	—	—
3 Selector Cap	(A)	—	—
4 O-Ring, Stem Cover	(A)	—	—
5 Spring, Compression	(A)	—	—
6 Selector Spring Washer	(A)	—	—
7 PRS Cartridge	(A)	—	—
8 Selector Seal (Rust)	(A) 211663	—	—
9 O-Ring, Solenoid Base	211237	—	—
10 Base Nut	602606	—	—
11 Plunger Assembly	212972-01S	—	—
12 Tubing (2)	211607	211607	—
13 Ferrule, Barbed (2)	206409	—	206409
14 Solenoid Assembly	206920-01	—	—
15 Retainer, Rubber	627167	—	—
16 U-Frame	212124S	—	—
17 Coil	602118	—	—
18 Snap Ring, Lower (2)	208396	208396	208396
19 HPDV Valve Assembly	211266	212323	212323
20 Seal, Inlet (Not Shown)	211197	212220S	212220S
21 Filter, Universal	206092-02	—	—
22 Probe & O-ring Assembly	207402	207402	207402
23 Top-Serviceable Rock Screen (>6/98)	211714-02	211714-02	211714-02
– O-Ring, Rock Screen	210366	210366	210366
– HFDV Repair Kit (for stainless steel valve) (<3/00)	207594	208439	208439
– Inlet Adapter Kit (<6/98) (B)	207654	207654	207654
24 Screen, Inlet (<6/98)	209923	209923	209923

(A) Included in PRS/Selector Repair Kit # 213366.

(B) Inlet adapter required on one-piece cases made between 5/87 to 6/98. After 6/98 the top-serviceable rock screen and valve seat is included in the one-piece case #211714-02.

Note: Part numbers enclosed in brackets () are not available individually, but may be sold in assemblies or kits.

47DR / 47DS / 47DH / 51DR / 51DS / 51DH - OLD 2-PIECE CASE (PRE 5/93)
 NEW PRS/SELECTOR VALVE WITH ADAPTER
 OLD PRS/SELECTOR VALVE PARTS



Note: Part numbers enclosed in brackets () are not available individually, but may be sold in assemblies or kits.



47DR / 47DS / 47DH / 51DR / 51DS / 51DH - OLD 2-PIECE CASE (PRE 5/93)
 NEW PRS/SELECTOR VALVE WITH ADAPTER
 OLD PRS/SELECTOR VALVE PARTS

Ref. Part Description	47DR	47DS	47DH
	51DR 51DL	51DS	51DH
NEW PRS/SELECTOR VALVE ASSEMBLY WITH ADAPTER			
1 PRS/Selector Assembly	210808-03	—	—
2 Selector Cap	(A)	—	—
3 Stem Cover O-Ring	(A)	—	—
4 Compression Spring	(A)	—	—
5 Selector Washer	(A)	—	—
6 PRS Cartridge	(A)	—	—
7 Seal, Selector	(A) 211663	—	—
8 Solenoid Base O-Ring	211237	—	—
9 Base Nut	602606	—	—
10 Plunger-Core Tube Assy	212972-01S	—	—
11 Tubing (2)	211607	211607	—
12 Barbed Ferrule (2)	206409	—	206409
OLD SELECTOR VALVE PARTS (Pre 5/93)			
— Selector Valve Stem Repair Kit (3/89-5/93)	210069	—	—
25 Stem Assy	—	—	—
26 Screws (3)	—	—	—
— O-Ring (4)	(B) 211238	—	—
27 Compression Spring	(C)	—	—
28 Spring Washer (2 or 3)	(C)	—	—
29 Seal Washer	(C)	—	—
30 Seal O-Ring	(C)	—	—
31 Pressure Regulator	(C)	—	—
32 Selector Valve O-Ring	(C)203026	—	—
8 Solenoid Base O-Ring	211237	—	—
9 Base Nut	602606	—	—
11 Tube (2)	211607	211607	—
SOLENOID ASSEMBLY - ALL CASE TYPES			
13 Solenoid Assembly	206920-01	—	—
9 Base Nut	602606	—	—
14 Retainer, Rubber	627167	—	—
15 U-Frame	212124S	—	—
16 Coil	602118	—	—

Ref. Part Description	47DR	47DS	47DH
	51DR 51DL	51DS	51DH
2-PIECE CASE PARTS			
17 Lower Snap Rings (2)	208396	208396	208396
18 HPDV Valve	211266	212323	212323
— HFDV Repair Kit (for stainless steel valve)	207594	208439	208439
19 Probe & O-Ring Assembly	207402	207402	207402
20 Inlet Adapter Kit (D)	207654	207654	207654
21 Inlet Screen	209923	209923	209923
12 Ferrule (4-DR,2-DS,1-DH)	206409	206409	206409

- (A) Included in new style PRS/Selector Repair Kit # 213366.
- (B) Selector Valves made before 6/88 used three (3) O-Rings # 211238.
- (C) PRS/Selector Assy with adaptor use replacement part # 210808-03
- (D) For pre-1998 cases that used the old DV brass valve. New valve assemblies HFDV and HPDV do not require the inlet adapter kit.

Note: Part numbers enclosed in brackets () are not available individually, but may be sold in assemblies or kits.