

115-E SERIES FULL CIRCLE INTERNAL ASSEMBLY

Ref.	Part Description	Qty	115-E
<b>RUBBER COVER KIT</b>			
2	Rubberized Snap Cover	1	212607
21	Rubber Cover, Housing	1	(212266S)
6	O-Ring, Screw	2	209778
<b>INTERNAL ASSEMBLY</b>			
3	Internal Assembly	1	212830-xx
<b>COVER ASSEMBLY</b>			
4	Screw, Self Tapping #1/4-15	2	210975
5	Insert, Diffuser Housing	1	—
6	O-Ring, Screw	2	209778
<b>NOZZLES (Please specify nozzle size when ordering - See below</b>			
-	Nozzle/Housing Kit	1	212840-xx
7	Housing, Nozzle	1	—
8	Nozzle Assembly, Range	1	212604-xx
9	Nozzle Assembly, Spreader Dual	1	212605-xx
10	Seal, Retract (Nozzle Housing)	1	—
18	Screen, Riser	1	212178
<b>BEARING/RISER-MOTOR ASSEMBLY</b>			
11	O-Ring Nozzle Housing	1	212255S
12	Bearing Guide Assembly	1	—
13	O-Ring, Bearing Guide	1	212383
14	Spring, Retract	1	—
15	Riser Motor Assembly	1	—
16	Seal, Riser-Pop-Up	1	212172
17	Motor Housing	1	—
20	Stator Assembly - Common	1	212606

**CASE ASSEMBLY** (Please refer to EAGLE 900/950/1100/1150/115-E Series, catalog number 472)

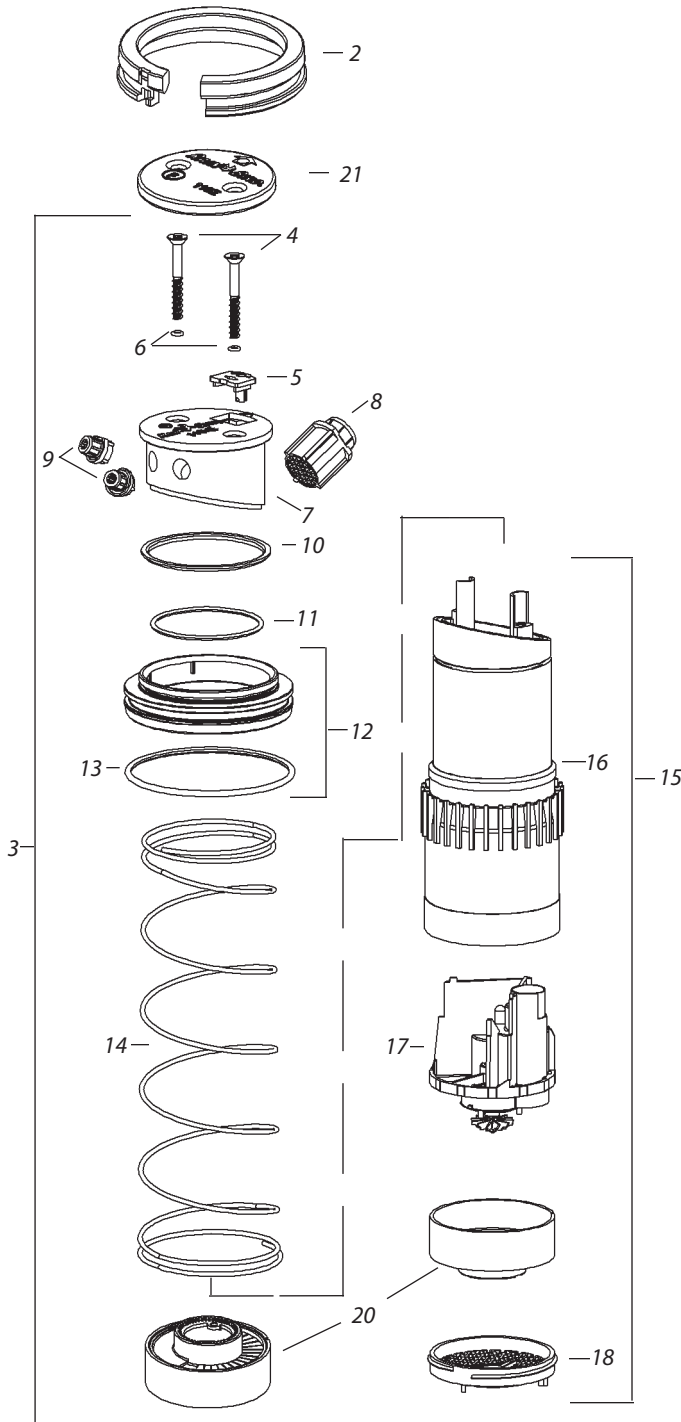
xx - Indicates nozzle size when ordering (i.e., #48 Blue, #57 Yellow, #63 Orange, #66 Green)

**\*Stator Setting Configurations Factory**

Color of Range Nozzle	Number	Electric Case Pressure Setting Psi (bars)		
		80(5.5)	100(6.9)	120(8.3)
Blue	#48			
	Set Stator to: ---	10	11	12
Yellow	#57			
	Set Stator to: ---	11	12	13
Orange	#63			
	Set Stator to: ---	13	15	16
Green	#66			
	Set Stator to: ---	13	16	16

\* Stator settings to a lower number than factory will speed up rotation speed and shorten radius.

\* Stator settings to a larger number than factory will slow rotation speed or cause non-rotation.



Note: Part numbers enclosed in brackets ( ) are not available individually, but may be sold in assemblies or kits.