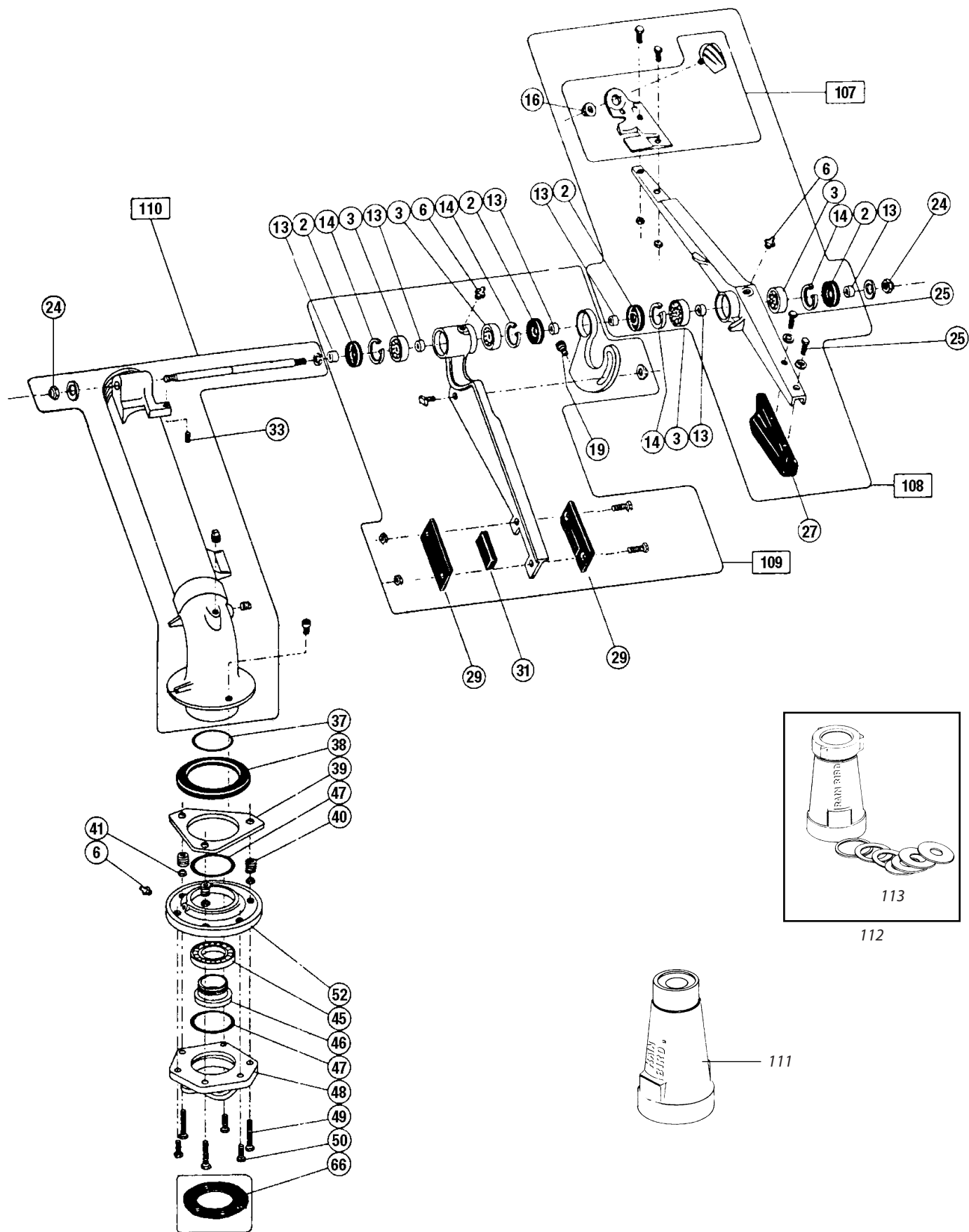


1004M - BLACK COUNTERWEIGHTS

104C / 1004C - GREEN COUNTERWEIGHTS



Note: Part numbers enclosed in brackets ( ) are not available individually, but may be sold in assemblies or kits.



Ref.	Part Description	1004M	104C 1004C
2	Grease Seal	72-101572	72-101572
3	Ball Bearing	71-101573	71-101573
6	Grease Fitting	71-100022	71-100022
13	Spacer	71-101531	71-101531
14	Snap Ring	72-101529	72-101529
16	Lock Nut	71-P00326	72-101329
19	Bumper	71-P00337	71-P00337
24	Nut	71-P00655	72-101569
25	Screw	71-P00330	72-104569
27	Drive Arm Counterweight	71-P00510	-
29	Pendulum Weight	71-101458	71-101458
31	Bumper Pad	71-100943	71-100943
33	Arm Position Screw	71-P00524	71-109534
37	Thread O-Ring	71-102158	71-102158
38	Brake Lining	71-102150	71-102150
39	Disc Brake	71-108956	71-108956
40	Brake Spring	71-101523	71-101523
41	Brake Adjust Nut	71-P00326	72-101533
45	Ball Bearing	71-102153	71-102153
46	Lock Nut	71-102157	71-102157
47	Bearing O-Ring	71-102155	71-102155
48	Bearing Sleeve	71-102156	71-102156
49	Brake Bolt	71-P00329	72-101522
50	Screw	71-P00330	72-104569
52	Bearing Cap Assembly	71-P00350	71-P00728
66	Flange Gasket	71-102186	71-102186
107	Spoon Bracket Assembly	71-P00518	71-P00518
108	Drive Arm Assembly	71-P00149	71-P00149
109	Pendulum Assembly	71-P00517	71-P00517
110	Elbow Range Tube Assembly	71-P00673	71-P00673
<b>NOZZLES (Specify nozzle size when ordering)</b>			
111	CS Straight Bore Nozzle	71-102189	71-102189
112	CO Ring Orifice Nozzle Assembly	71-102138	71-102138
113	Ring Orifice Set Only	71-103868	71-103868

Note: Part numbers enclosed in brackets ( ) are not available individually, but may be sold in assemblies or kits.