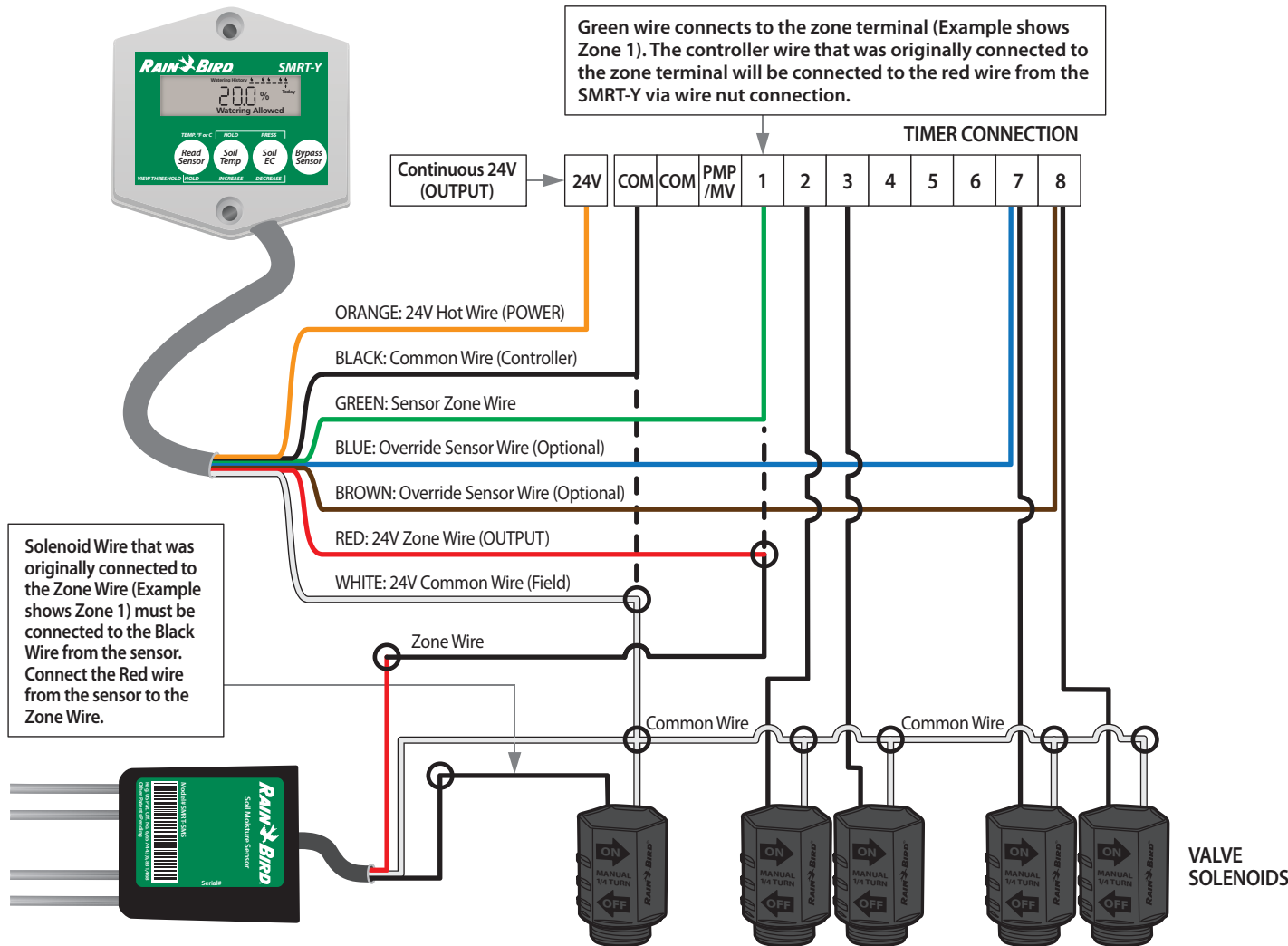


SMRT-Y Soil Moisture Sensor Wiring Diagram



IMPORTANT INFORMATION

- ✓ Wire connections are the most important part of sensor installation. You must use wire nuts and grease caps to ensure adequate connections and for the unit to function properly.
- ✓ The Sensor needs to be installed in an area that is the most representative of the entire landscape being irrigated and can be connected to ANY ZONE wire which activates a single solenoid (Example shows Zone 1).
- ✓ Connect to a UL listed controller or equivalent.

- Wire connection point
- | Indicates former wire connection
-

Rain Bird Corporation
 6991 East Southpoint Road
 Tucson, AZ 85756, U.S.A.
 Phone: (520) 741-6100
 Fax: (520) 741-6522

Rain Bird Corporation
 970 West Sierra Madre Avenue
 Azusa, CA 91702, U.S.A.
 Phone: (626) 812-3400
 Fax: (626) 812-3411

Rain Bird International, Inc.
 P.O. Box 37
 Glendora, CA 91740-0037, U.S.A.
 Phone: (626) 963-9311
 Fax: (626) 852-7343

Technical Service and Support
 (800) RAINBIRD (U.S. and Canada only)

For more information:
 Installation Guide 177627
www.rainbird.com/sms