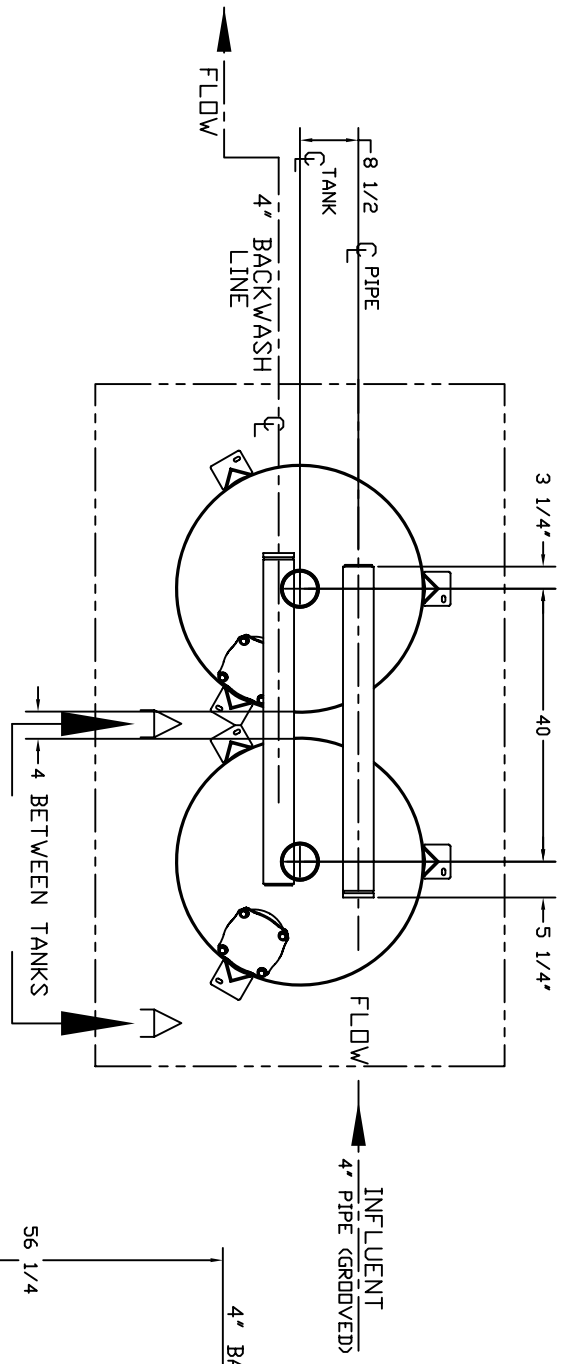
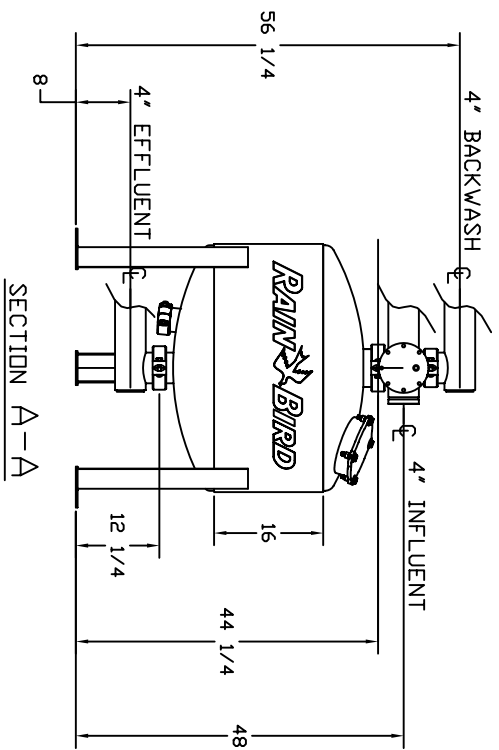
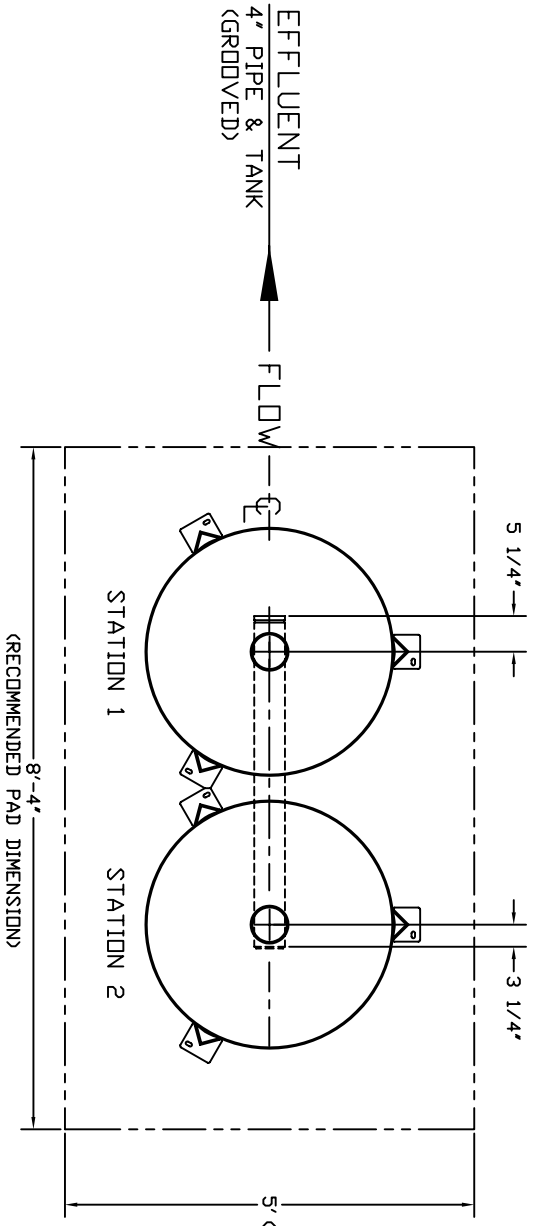


UPPER (INLET) MANIFOLD LAYOUT



3616-2-M LAYOUT

LOWER (OUTLET) MANIFOLD LAYOUT



DD NOT SCALE DWG.

PART NO.	MODEL	CARBOR STEEL SAND MEDIA FILTER	TITLE	PROJ. NAME
CF01-04	SM3616-2-M	238/350 (GMP)	RAIN-BIRD SYSTEMS MFG. DIV. TUCSON, ARIZONA	FILTER SYSTEMS
CF02-04	SM3616-21-M	W/ID COATING 238/350 (GMP)		DRAWING NUMBER
CF03-04	SM3616-2B-M	W/ID & DD COATING 238/350 (GMP)		CF01-04
				PART NO.
				REV.
				SHEET 1 OF 1

UNLESS OTHERWISE SPECIFIED:
 FRACTIONAL TOLERANCE ± 1/8"
 DRILLED HOLE ± 1/32"
 ANGULAR ± 2"
 SURFACE FINISH: X = 320, Y = 250, Z = 125

UNLESS OTHERWISE SPECIFIED:
 FRACTIONAL TOLERANCE ± 1/8"
 DRILLED HOLE ± 1/32"
 ANGULAR ± 2"
 SURFACE FINISH: X = 320, Y = 250, Z = 125

UNLESS OTHERWISE SPECIFIED:
 FRACTIONAL TOLERANCE ± 1/8"
 DRILLED HOLE ± 1/32"
 ANGULAR ± 2"
 SURFACE FINISH: X = 320, Y = 250, Z = 125

UNLESS OTHERWISE SPECIFIED:
 FRACTIONAL TOLERANCE ± 1/8"
 DRILLED HOLE ± 1/32"
 ANGULAR ± 2"
 SURFACE FINISH: X = 320, Y = 250, Z = 125