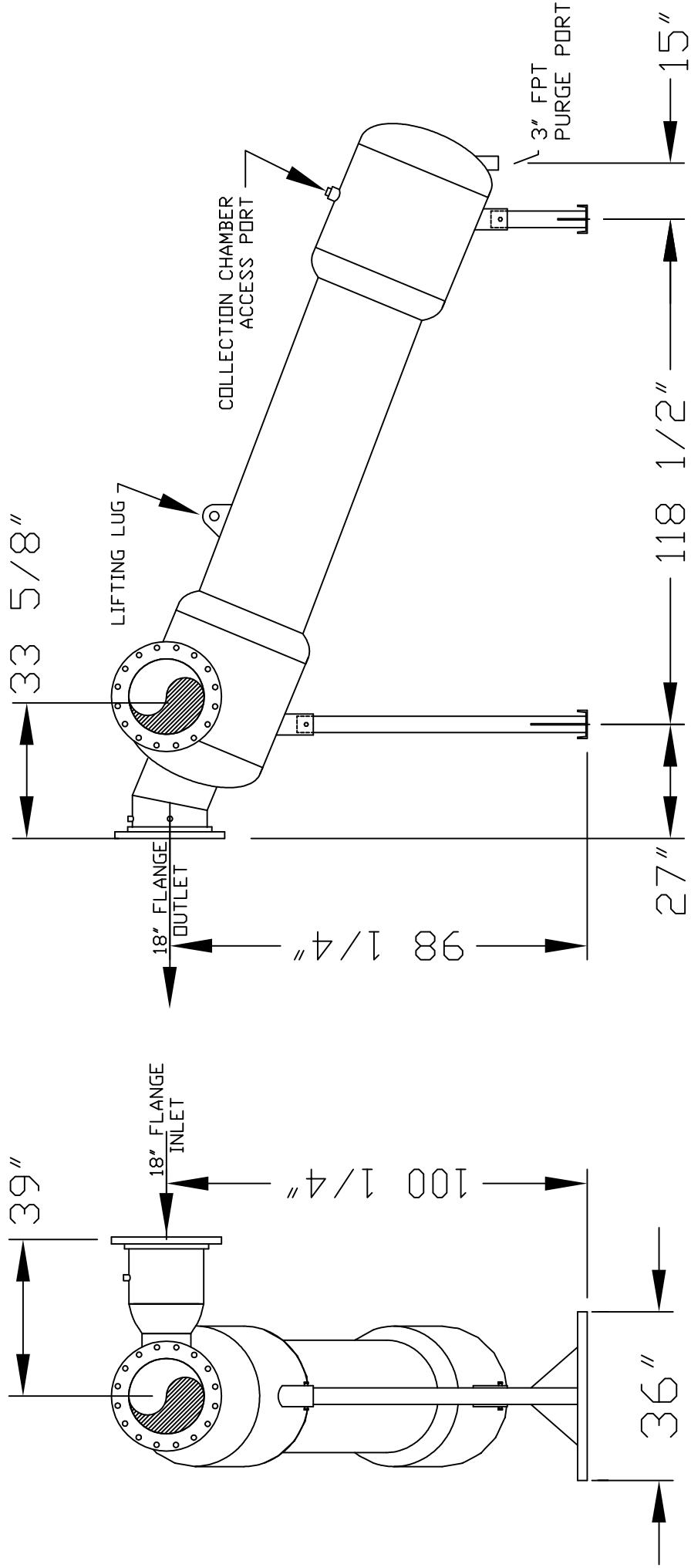


# SEPARATOR ACS-R-180LA



FLOW RATE: 5100-8300 GPM  
 MAX PRESSURE: 150 PSI MAX  
 MIN BACK PRESSURE: 15 PSI

<b>NOTES:</b> THIS DRAWING PROVIDES A CONCEPTUAL, PROPRIETARY DESIGN. MANUFACTURING, USE AND SALE RIGHTS RESERVING THE SAME ARE EXPRESSLY RESERVED BY THE ORIGINAL DESIGNER. THE RECIPIENT AGREES BY ACCEPTING THIS DRAWING NOT TO SUPPLY OR DISCLOSE ANY INFORMATION TO ANY OTHER PARTY WITHOUT THE WRITTEN PERMISSION OF THE ORIGINAL DESIGNER. ALL PATENT RIGHTS HERETO ARE EXPRESSLY RESERVED.		UNLESS OTHERWISE SPECIFIED: FRACTIONAL TOLERANCE: **1/8" DRILLED HOLE: **1/32" ANGULAR: **2" FINISH: X = ±.005, XX = ±.002, XXX = ±.001	DRAWN: [ ] DATE: 02/11 DESIGNED: [ ] DATE: 09/06/10 CHECKED: [ ] JOB: [ ] DO NOT SCALE DRAWING LAST MODIFIED IN VERSION: [ ] AUTOCAD FILE: [ ] DWG SYMBOLS: [ ]	PROJ. NAME: CENTRIFUGAL SAND SEPARATORS PROJ. NO.: [ ] DRAWING NUMBER: RBF066 A PART NO.: [ ] REV: [ ] SHEET 1 OF 1
TITLE: ACS-R180LA SEPARATOR DRAWING NUMBER: RBF066 A PART NO.: [ ] REV: [ ] SHEET 1 OF 1		PROJ. NAME: CENTRIFUGAL SAND SEPARATORS PROJ. NO.: [ ] DRAWING NUMBER: RBF066 A PART NO.: [ ] REV: [ ] SHEET 1 OF 1	DRAWN: [ ] DATE: 02/11 DESIGNED: [ ] DATE: 09/06/10 CHECKED: [ ] JOB: [ ] DO NOT SCALE DRAWING LAST MODIFIED IN VERSION: [ ] AUTOCAD FILE: [ ] DWG SYMBOLS: [ ]	PROJ. NAME: CENTRIFUGAL SAND SEPARATORS PROJ. NO.: [ ] DRAWING NUMBER: RBF066 A PART NO.: [ ] REV: [ ] SHEET 1 OF 1