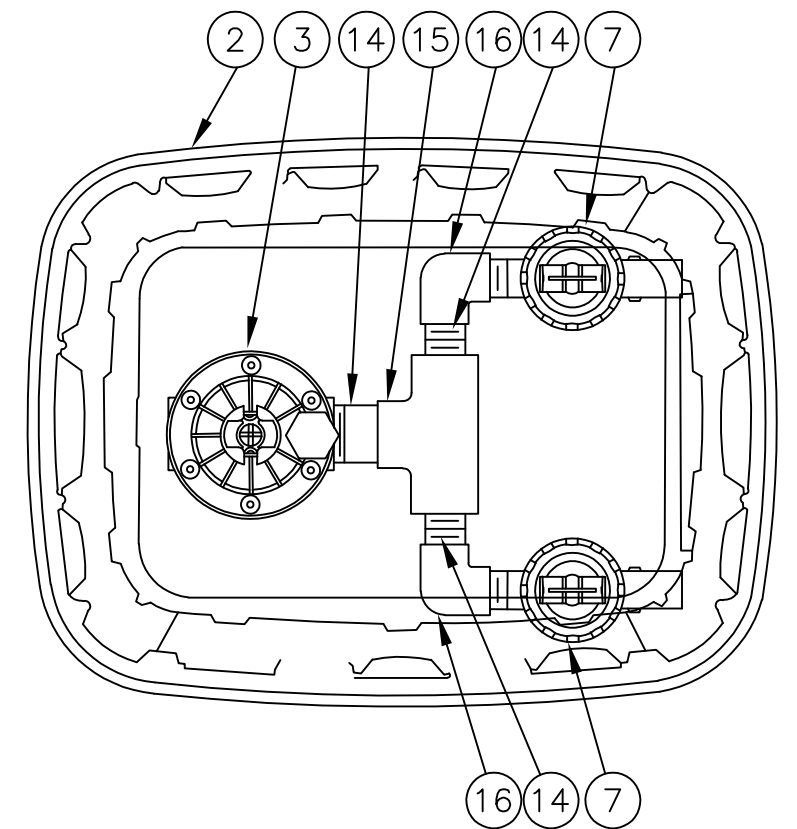


SIDE VIEW

- ① FINISH GRADE/TOP OF MULCH
- ② VALVE BOX WITH COVER:
RAIN BIRD VB-STD
- ③ REMOTE CONTROL VALVE:
RAIN BIRD 150-PESB (INCLUDED IN
XCZ-PRB-150-COM KIT)
- ④ ID TAG
- ⑤ WATERPROOF CONNECTION:
RAIN BIRD DB SERIES
- ⑥ 30-INCH LINEAR LENGTH OF WIRE, COILED
- ⑦ PRESSURE REGULATING QUICK CHECK
BASKET FILTER:
RAIN BIRD PRB-QKCHK-100
(INCLUDED IN XCZ-PRB-150-COM KIT)
- ⑧ PVC SCH 80 NIPPLE (LENGTH AS
REQUIRED)
- ⑨ PVC SCH 40 ELL
- ⑩ PVC SCH 80 NIPPLE (2-INCH LENGTH,
HIDDEN) AND PVC SCH 40 ELL
- ⑪ PVC SCH 40 TEE OR ELL
- ⑫ MAINLINE PIPE
- ⑬ 3-INCH MINIMUM DEPTH OF 3/4-INCH
WASHED GRAVEL
- ⑭ PVC SCH 80 NIPPLE, CLOSE (INCLUDED IN
XCZ-PRB-150-COM KIT)
- ⑮ PVC SCH 40 TEE (INCLUDED IN
XCZ-PRB-150-COM KIT)
- ⑯ PVC SCH 40 ELL (INCLUDED IN
XCZ-PRB-150-COM KIT)
- ⑰ PVC SCH 40 FEMALE ADAPTOR
- ⑱ LATERAL PIPE



TOP VIEW

**XCZ-PRB-150-COM 1.5" COMMERCIAL
CONTROL ZONE KIT IN A SQUARE VALVE
BOX, STRAIGHT CONFIGURATION
OPTION 1**

D

N.T.S.

1-25-10