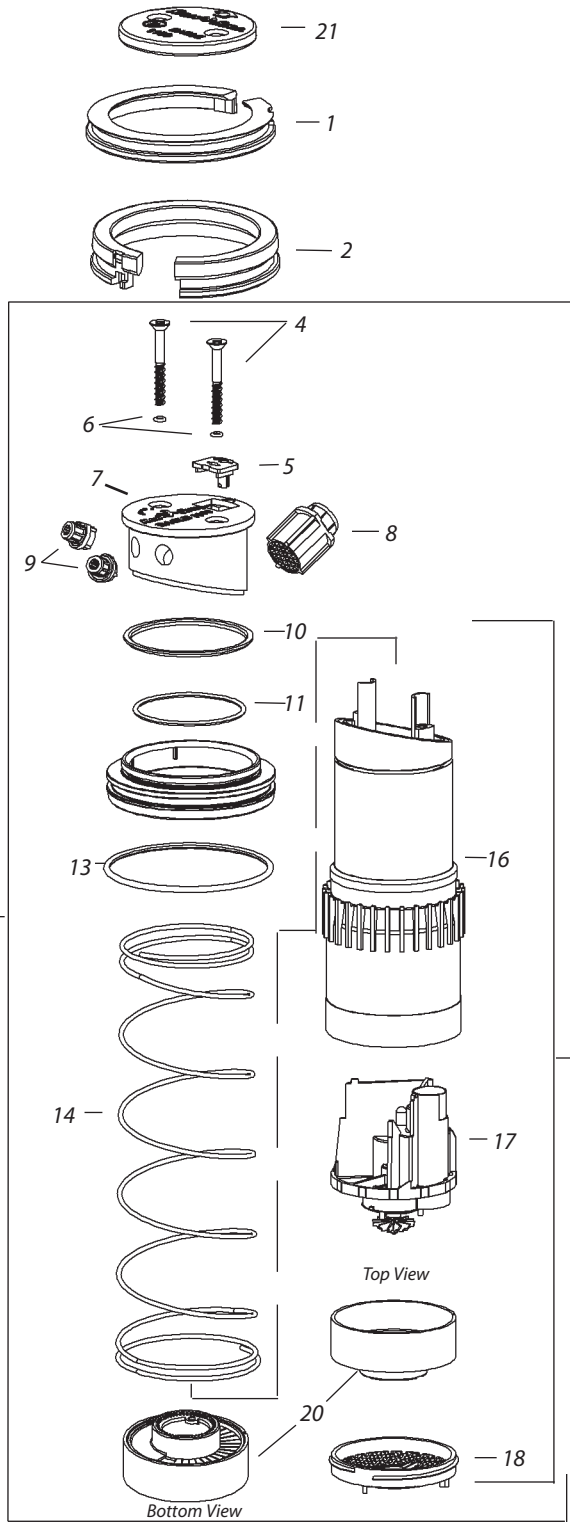


EAGLE 1100 SERIES INTERNAL ASSEMBLY



Ref.	Part Description	Qty	1100-E	1100-S	1100-H
<b>SNAP RINGS</b>					
1	Snap Cover (all models)	1	212204-01	212204-01	212204-01
<b>RUBBER COVER KIT</b>					
2	Rubberized Snap Cover	1	212607	212607	212607
21	Rubber Cover, Housing	1	212491-01S	212491-01	212491-01
6	Screw O-Ring	2	209778	209778	209778
<b>INTERNAL ASSEMBLY</b>					
3	Internal Assembly (A)	1	212438-xx	212438-xx	212438-xx

<b>COVER ASSEMBLY</b>					
4	Self Tapping Screw	2	210975	210975	210975
5	Diffuser Housing Insert (A)	1	-	-	-
6	Screw O-Ring	2	209778	209778	209778

<b>NOZZLES (Please specify nozzle size when ordering - See below)</b>					
-	Nozzle/Housing Kit (A)	1	212602-xx	212602-xx	212602-xx
7	Nozzle Housing	1	-	-	-
8	Range Nozzle Assembly (A)	1	212604-xx	212604-xx	212604-xx
9	Spreader Dual Nozzle Assembly(A)	1	212605-xx	212605-xx	212605-xx
10	Retract Seal (Nozzle Housing)	1	-	-	-
18	Riser Screen	1	212178	212178	212178

<b>BEARING/RISER-MOTOR ASSEMBLY</b>					
11	O-Ring Nozzle Housing	1	212255S	212255S	212255S
13	Bearing Guide O-Ring	1	212383	212383	212383
14	Retract Spring	1	212162S	212162S	212162S
15	Riser Motor Assembly	1	-	-	-
16	Riser - Seal Pop-Up	1	212172	212172	212172
17	Motor Housing (Replacement)	1	-	-	-
20	Stator Assembly - Common	1	212606	212606	212606

**CASE ASSEMBLY (Please refer to EAGLE 900/950/1100/1150/115-E Series, catalog number 466)**

(A) Specify nozzle size when ordering. Available in #48 Blue, #57 Yellow, #63 Orange, #66 Green

**Stator Setting Configurations Factory**

Number	Color of Range Nozzle	Electric Case Pressure Setting			Hyd/SAM
		Psi (bars)			
		80(5.5)	100(6.9)	120(8.3)	Set per Base Psi*
#48	Blue	10	11	12	10 - 12
#57	Yellow	11	12	13	11 - 13
#63	Orange	13	15	16	13 - 16
#66	Green	14	16	16	14 - 16

\* Factory stator set for 80psi base pressure

Note: Stator settings to a lower number than factory will speed up rotation speed and shorten radius. Stator settings to a larger number than factory will slow rotation speed or cause non-rotation.

Note: Part numbers enclosed in brackets ( ) are not available individually, but may be sold in assemblies or kits.